

## Tube clamps series A (Light construction series) – Components

DIN 3015, part 1

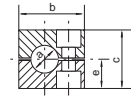
**Order code for clamp halves:**

- Polypropylene – **RAP**
- Inside smooth – **RAPG**
- Polyamide 6 – **RAN**
- Inside smooth – **RANG**
- Rubber – **RAVG**
- Aluminium – **RAA<sup>1)</sup>**

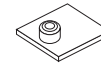
(Please exchange as required standard abbreviation RAP in column for “clamp halves”)



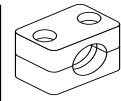
size 0



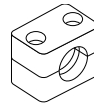
size 0



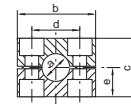
size 0



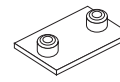
size 0



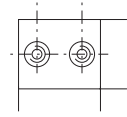
size 1-6



size 1-6  
Width: 30 mm



size 1-6



size 1-6  
Thickness: 3mm

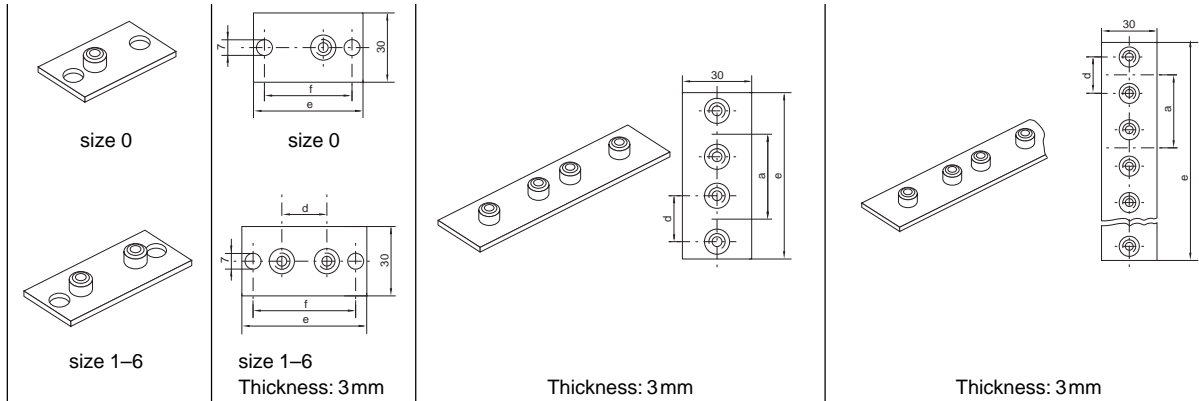
clamp size	O.D. mm a	Tube NB	Inch O.D.	1 part 2 clamp halves RAP...	2 clamp halves RAP...	welding plate, short APK A...	welding plate, short APK A...
					b c d e		d e
0	6	G <sup>1</sup> / <sub>8</sub>	1/4	RAP006X RAP006.4X RAP008X RAP009.5X RAP010X RAP012X	28 27 – 13.5	APKA0X	– 30
	6.4						
	8						
	9.5						
	10						
1	12	G <sup>1</sup> / <sub>8</sub>	5/16 3/8	RAP106X RAP106.4X RAP108X RAP109.5X RAP110X RAP112X	34 27 20 13.5	APKA1X	20 36
	6						
	6.4						
	8						
	9.5						
2	10	G <sup>1</sup> / <sub>4</sub>	1/2	RAP112.7X RAP113.5X RAP214X RAP215X RAP216X RAP217.2X RAP218X	40 33 26 16.5	APKA2X	26 42
	12.7						
	13.5						
	14	G <sup>3</sup> / <sub>8</sub>	5/8				
	15						
	16						
3	17.2	G <sup>1</sup> / <sub>2</sub>	3/4	RAP319X RAP320X RAP321.3X RAP322X RAP323X RAP325X	48 35 33 17.5	APKA3X	33 50
	18						
	19						
	20						
	21.3						
4	22	G <sup>3</sup> / <sub>4</sub>	1	RAP426.9X RAP428X RAP430X	57 42 40 21	APKA4X	40 59
	23						
	25						
	26.9						
5	28	G1	1 1/4	RAP532X RAP533.7X RAP535X RAP538X RAP540X RAP542X	70 58 52 29	APKA5X	52 72
	30						
	32						
	33.7	G1 1/4	1 1/2				
	35						
6	38	G1 1/2	1 3/4	RAP644.5X RAP645X RAP648X RAP650X RAP650.8X RAP652X RAP655X RAP657X	86 66 66 33	APKA6X	66 88
	40						
	42						
	44.5						
	45						
	48						
50							
50.8							
52							
55							
57							
			2 1/4				

When assembling solid rubber clamps, covering plates, hexagon screws and locking washers must be used. All metal parts available in stainless steel.

<sup>1)</sup> Aluminium only sizes 1 to 6.

**Tube clamps series A (Light construction series) – Components**

DIN 3015, part 1

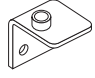
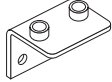
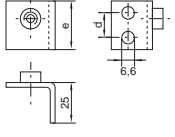
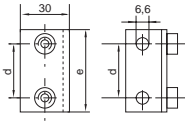
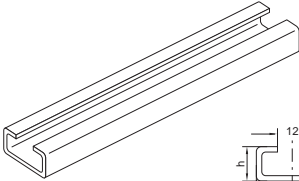
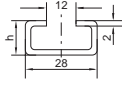
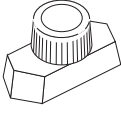
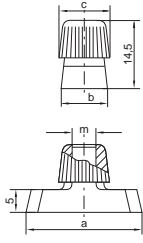


clamp size	weld/screw plate, long APL A...	weld/screw plate, long APL A...			twin welding plate APD A...	twin welding plate APD A...			multiple weld plate APR A...	multiple weld plate APR A...		
		d	e	f		d	a	e		d	a	e
0	<b>APLA0X</b>	–	58	44	<b>APDA0X</b>	–	30	61	<b>APRA0X (10 clamps)</b>	–	30	298
1	<b>APLA1X</b>	20	64	50	<b>APDA1X APDLA1X</b>	20	35	69	<b>APRA1X APRLA1X (10 clamps)</b>	20	35	349
						20	40	76		20	40	394
2	<b>APLA2X</b>	26	70	56	<b>APDA2X APDLA2X</b>	26	43	86	<b>APRA2X APRLA2X (10 clamps)</b>	26	43	427
						26	52	94		26	52	508
3	<b>APLA3X</b>	33	78	64	<b>APDA3X APDLA3X</b>	33	52	104	<b>APRA3X APRLA3X (10 clamps)</b>	33	52	516
						33	75	125		33	75	723
4	<b>APLA4X</b>	40	87	73	<b>APDA4X</b>	40	60	117	<b>APRA4X (5 clamps)</b>	40	60	297
5	<b>APLA5X</b>	52	100	86	<b>APDA5X</b>	52	75	145	<b>APRA5X (5 clamps)</b>	52	75	370
6	<b>APLA6X</b>	66	116	100	<b>APDA6X</b>	66	90	176	<b>APRA6X (5 clamps)</b>	66	90	446



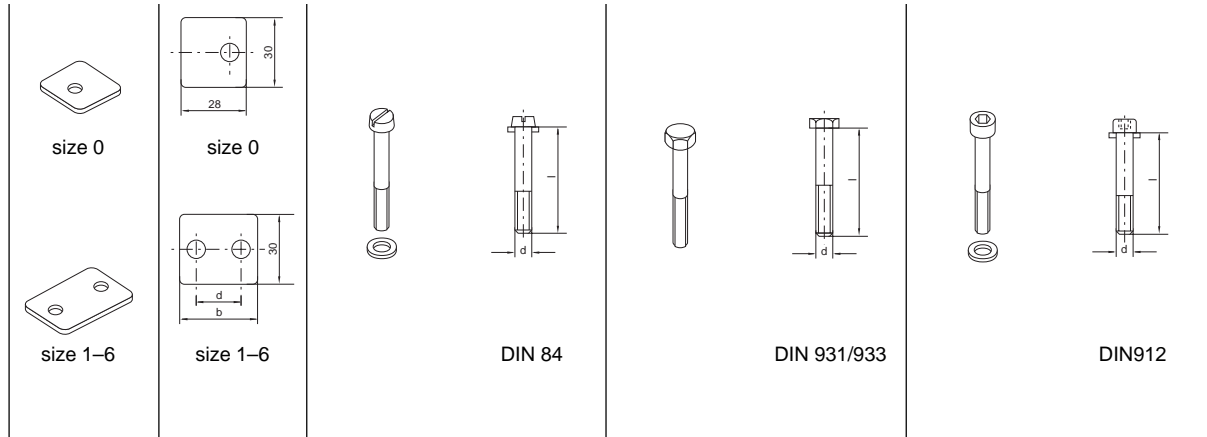
**Tube clamps series A (Light construction series) – Components**

DIN 3015, part 1

	 <p>size 0</p>  <p>size 1-6</p>	 <p>size 0</p>  <p>size 1-6 Thickness: 3mm</p>				
clamp size	weld plate, angled APW A...	weld plate, angled APW A...	mounting rail TS...A/B	mounting rail TS...A/B	rail nut TM...A/B1	rail nut TM...A/B1
		d e		h		a b c m
0	<b>APWA0X</b>	14 30	<b>TS11A/B1X</b> <b>TS11A/B2X</b> <b>TS14A/B1X</b> <b>TS14A/B2X</b> <b>TS30A/B1X</b> <b>TS30A/B2X</b>	TS11: 11 TS14: 14 TS30: 30	<b>TMAX</b> <b>(TMB1X)</b>	25.4 10.4 12 M6
1	<b>APWA1X</b>	20 36				
2	<b>APWA2X</b>	26 42				
3	<b>APWA3X</b>	33 50				
4	<b>APWA4X</b>	40 59				
5	<b>APWA5X</b>	52 72				
6	<b>APWA6X</b>	66 88				

**Tube clamps series A (Light construction series) – Components**

DIN 3015, part 1



clamp size	cover plate DPA A...	cover plate DP A... b d	slot head SLA A...	slot head SL A... d x L	hexagon head SSL A...	hexagon head SSL A... d x L	socket head ISA A...	socket head IS A... d x L
0	<b>DPA0X</b>	– –	<b>SLA0X</b>	M 6 x 20	<b>SSLA0/1X</b>	M 6 x 30	<b>ISA0X</b>	M 6 x 20
1	<b>DPA1X</b>	34 20	<b>SLA1X</b>	M 6 x 20	<b>SSLA0/1X</b>	M 6 x 30	<b>ISA1X</b>	M 6 x 20
2	<b>DPA2X</b>	40 26	<b>SLA2X</b>	M 6 x 25	<b>SSLA2X (SS B1X)</b>	M 6 x 35	<b>ISA2X</b>	M 6 x 25
3	<b>DPA3X</b>	48 33	<b>SLA3X</b>	M 6 x 30	<b>SSLA3X</b>	M 6 x 40	<b>ISA3X</b>	M 6 x 30
4	<b>DPA4X</b>	57 40	<b>SA4X</b>	M 6 x 35	<b>SSLA4X</b>	M 6 x 45	<b>ISA4X (ISB1X)</b>	M 6 x 35
5	<b>DPA5X</b>	70 52	<b>SLA5X</b>	M 6 x 50	<b>SSLA5X</b>	M 6 x 60	<b>ISA5X</b>	M 6 x 50
6	<b>DPA6X</b>	86 66	<b>SLA6X</b>	M 6 x 60	<b>SSLA6X</b>	M 6 x 70	<b>ISA6X</b>	M 6 x 60



**Tube clamps series A (Light construction series) – Components**

DIN 3015, part 1

clamp size	stacking <sup>1)</sup> AS A...	stacking AS A...		locking plate <sup>1)</sup> SB A	locking plate SB A		locking washer <sup>2)</sup> US A	locking washer US A	
		a	b		a	SW		a	b
0	<b>ASA0/1X (AS B1X)</b>	20	34						
1	<b>ASA0/1X (ASB1X)</b>	20	34						
2	<b>ASA2X</b>	25	39						
3	<b>ASA3X</b>	30	44						
4	<b>ASA4X</b>	35	49						
5	<b>ASA5X</b>	50	64						
6	<b>ASA6X</b>	60	74						

<sup>1)</sup> The use of stacking bolts necessitates the deployment of locking plates during the construction assembly.

<sup>2)</sup> When assembling solid rubber clamps, cover plates, hexagon screws and locking washers must be used.

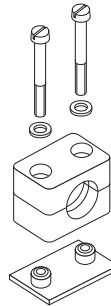
## Tube clamps series A – Complete Range

**Order code for clamp halves:**

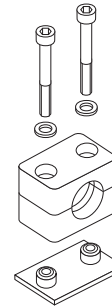
- Polypropylene – **RAP**
- Inside smooth – **RAPG**
- Polyamide 6 – **RAN**
- Inside smooth – **RANG**
- Rubber – **RAVG\***
- Aluminium – **RAA**

(As required please exchange standard abbreviation RAP in column for "order code")

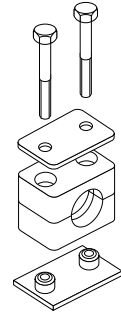
2 clamp halves, weld plate **short**, slot head bolts and bushes



2 clamp halves, weld plate **short**, socket head bolts and bushes



2 clamp halves, weld plate **short**, cover plate hex. head bolts



clamp size	O.D. mm	Inch NB	Inch O.D.	Order code	Order code	Order code		
0 <sup>1)</sup>	6	G <sup>1</sup> / <sub>8</sub>	1/4	<b>RAP1-006</b>	<b>RAP2-006</b>	<b>RAP3-006</b>		
	6.4			<b>RAP1-006.4</b>	<b>RAP2-006.4</b>	<b>RAP3-006.4</b>		
	8			<b>RAP1-008</b>	<b>RAP2-008</b>	<b>RAP3-008</b>		
	9.5			<b>RAP1-009.5</b>	<b>RAP2-009.5</b>	<b>RAP3-009.5</b>		
	10			<b>RAP1-010</b>	<b>RAP2-010</b>	<b>RAP3-010</b>		
	12			<b>RAP1-012</b>	<b>RAP2-012</b>	<b>RAP3-012</b>		
1	6	G <sup>1</sup> / <sub>8</sub>	1/4	<b>RAP1-106</b>	<b>RAP2-106</b>	<b>RAP3-106</b>		
	6.4			<b>RAP1-106.4</b>	<b>RAP2-106.4</b>	<b>RAP3-106.4</b>		
	8			<b>RAP1-108</b>	<b>RAP2-108</b>	<b>RAP3-108</b>		
	9.5			<b>RAP1-109.5</b>	<b>RAP2-109.5</b>	<b>RAP3-109.5</b>		
	10			<b>RAP1-110</b>	<b>RAP2-110</b>	<b>RAP3-110</b>		
	12			<b>RAP1-112</b>	<b>RAP2-112</b>	<b>RAP3-112</b>		
2	12.7	G <sup>1</sup> / <sub>4</sub>	1/2	<b>RAP1-212.7</b>	<b>RAP2-212.7</b>	<b>RAP3-212.7</b>		
	13.5			<b>RAP1-213.5</b>	<b>RAP2-213.5</b>	<b>RAP3-213.5</b>		
	14			<b>RAP1-214</b>	<b>RAP2-214</b>	<b>RAP3-214</b>		
	15			<b>RAP1-215</b>	<b>RAP2-215</b>	<b>RAP3-215</b>		
	16			G <sup>3</sup> / <sub>8</sub>	5/8	<b>RAP1-216</b>	<b>RAP2-216</b>	<b>RAP3-216</b>
	17.2					<b>RAP1-217.2</b>	<b>RAP2-217.2</b>	<b>RAP3-217.2</b>
18	<b>RAP1-218</b>	<b>RAP2-218</b>	<b>RAP3-218</b>					
3	19	G <sup>1</sup> / <sub>2</sub>	3/4	<b>RAP1-319</b>	<b>RAP2-319</b>	<b>RAP3-319</b>		
	20			<b>RAP1-320</b>	<b>RAP2-320</b>	<b>RAP3-320</b>		
	21.3			<b>RAP1-321.3</b>	<b>RAP2-321.3</b>	<b>RAP3-321.3</b>		
	22			<b>RAP1-322</b>	<b>RAP2-322</b>	<b>RAP3-322</b>		
	23			1	1	<b>RAP1-323</b>	<b>RAP2-323</b>	<b>RAP3-323</b>
	25					<b>RAP1-325</b>	<b>RAP2-325</b>	<b>RAP3-325</b>
4	26.9	G <sup>3</sup> / <sub>4</sub>		<b>RAP1-426.9</b>	<b>RAP2-426.9</b>	<b>RAP3-426.9</b>		
	28			<b>RAP1-428</b>	<b>RAP2-428</b>	<b>RAP3-428</b>		
	30			<b>RAP1-430</b>	<b>RAP2-430</b>	<b>RAP3-430</b>		
5	32	G1	1 1/4	<b>RAP1-532</b>	<b>RAP2-532</b>	<b>RAP3-532</b>		
	33.7			<b>RAP1-533.7</b>	<b>RAP2-533.7</b>	<b>RAP3-533.7</b>		
	35			1 1/2	<b>RAP1-535</b>	<b>RAP2-535</b>	<b>RAP3-535</b>	
	38				<b>RAP1-538</b>	<b>RAP2-538</b>	<b>RAP3-538</b>	
	40				G1 1/4	<b>RAP1-540</b>	<b>RAP2-540</b>	<b>RAP3-540</b>
	42			<b>RAP1-542</b>		<b>RAP2-542</b>	<b>RAP3-542</b>	
6	44.5	G1 1/2	1 3/4	<b>RAP1-644.5</b>	<b>RAP2-644.5</b>	<b>RAP3-644.5</b>		
	45			<b>RAP1-645</b>	<b>RAP2-645</b>	<b>RAP3-645</b>		
	48			<b>RAP1-648</b>	<b>RAP2-648</b>	<b>RAP3-648</b>		
	50		2	<b>RAP1-650</b>	<b>RAP2-650</b>	<b>RAP3-650</b>		
	50.8			<b>RAP1-650.8</b>	<b>RAP2-650.8</b>	<b>RAP3-650.8</b>		
	52			<b>RAP1-652</b>	<b>RAP2-652</b>	<b>RAP3-652</b>		
	55			<b>RAP1-655</b>	<b>RAP2-655</b>	<b>RAP3-655</b>		
	57			2 1/4	<b>RAP1-657</b>	<b>RAP2-657</b>	<b>RAP3-657</b>	

If different combinations are required, we would be obliged if they could be ordered as separate components.

Delivery in unassembled individual components.

<sup>1)</sup> Contrary to illustration size 0 clamps are secured by only one screw.

\* Only with cover plate, hexagon screws and locking washers.



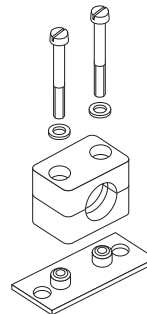
## Tube clamps series A – Complete Range

**Order code for clamp halves:**

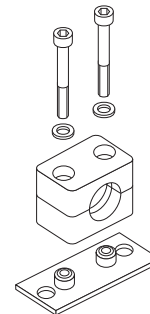
- Polypropylene – **RAP**
- Inside smooth – **RAPG**
- Polyamide 6 – **RAN**
- Inside smooth – **RANG**
- Rubber – **RAVG\***
- Aluminium – **RAA**

(As required please exchange standard abbreviation RAP in column for "order code")

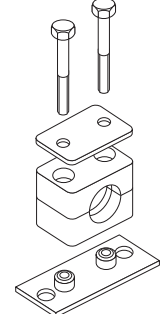
2 clamp halves, weld/  
screw plate, slot head  
bolts and bushes



2 clamp halves, weld/  
screw plate, socket  
head bolts and bushes



2 clamp halves, weld/  
screw plate, cover plate  
and hex. head bolts



clamp size	O.D. mm	Inch NB	Inch O.D.	Order code	Order code	Order code
0 <sup>1)</sup>	6	G <sup>1</sup> / <sub>8</sub>	1/4	<b>RAP4-006</b>	<b>RAP5-006</b>	<b>RAP6-006</b>
	6.4			<b>RAP4-006.4</b>	<b>RAP5-006.4</b>	<b>RAP6-006.4</b>
	8			<b>RAP4-008</b>	<b>RAP5-008</b>	<b>RAP6-008</b>
	9.5			<b>RAP4-009.5</b>	<b>RAP5-009.5</b>	<b>RAP6-009.5</b>
	10			<b>RAP4-010</b>	<b>RAP5-010</b>	<b>RAP6-010</b>
	12		3/8	<b>RAP4-012</b>	<b>RAP5-012</b>	<b>RAP6-012</b>
1	6	G <sup>1</sup> / <sub>8</sub>	1/4	<b>RAP4-106</b>	<b>RAP5-106</b>	<b>RAP6-106</b>
	6.4			<b>RAP4-106.4</b>	<b>RAP5-106.4</b>	<b>RAP6-106.4</b>
	8			<b>RAP4-108</b>	<b>RAP5-108</b>	<b>RAP6-108</b>
	9.5			<b>RAP4-109.5</b>	<b>RAP5-109.5</b>	<b>RAP6-109.5</b>
	10			<b>RAP4-110</b>	<b>RAP5-110</b>	<b>RAP6-110</b>
	12		3/8	<b>RAP4-112</b>	<b>RAP5-112</b>	<b>RAP6-112</b>
2	12.7	G <sup>1</sup> / <sub>4</sub>	1/2	<b>RAP4-212.7</b>	<b>RAP5-212.7</b>	<b>RAP6-212.7</b>
	13.5			<b>RAP4-213.5</b>	<b>RAP5-213.5</b>	<b>RAP6-213.5</b>
	14			<b>RAP4-214</b>	<b>RAP5-214</b>	<b>RAP6-214</b>
	15	G <sup>3</sup> / <sub>8</sub>	5/8	<b>RAP4-215</b>	<b>RAP5-215</b>	<b>RAP6-215</b>
	16			<b>RAP4-216</b>	<b>RAP5-216</b>	<b>RAP6-216</b>
	17.2			<b>RAP4-217.2</b>	<b>RAP5-217.2</b>	<b>RAP6-217.2</b>
	18			<b>RAP4-218</b>	<b>RAP5-218</b>	<b>RAP6-218</b>
3	19	G <sup>1</sup> / <sub>2</sub>	3/4	<b>RAP4-319</b>	<b>RAP5-319</b>	<b>RAP6-319</b>
	20			<b>RAP4-320</b>	<b>RAP5-320</b>	<b>RAP6-320</b>
	21.3			<b>RAP4-321.3</b>	<b>RAP5-321.3</b>	<b>RAP6-321.3</b>
	22			<b>RAP4-322</b>	<b>RAP5-322</b>	<b>RAP6-322</b>
	23			<b>RAP4-323</b>	<b>RAP5-323</b>	<b>RAP6-323</b>
	25		1	<b>RAP4-325</b>	<b>RAP5-325</b>	<b>RAP6-325</b>
4	26.9	G <sup>3</sup> / <sub>4</sub>		<b>RAP4-426.9</b>	<b>RAP5-426.9</b>	<b>RAP6-426.9</b>
	28			<b>RAP4-428</b>	<b>RAP5-428</b>	<b>RAP6-428</b>
	30			<b>RAP4-430</b>	<b>RAP5-430</b>	<b>RAP6-430</b>
5	32	G1	1 1/4	<b>RAP4-532</b>	<b>RAP5-532</b>	<b>RAP6-532</b>
	33.7			<b>RAP4-533.7</b>	<b>RAP5-533.7</b>	<b>RAP6-533.7</b>
	35			<b>RAP4-535</b>	<b>RAP5-535</b>	<b>RAP6-535</b>
	38	G1 1/4	1 1/2	<b>RAP4-538</b>	<b>RAP5-538</b>	<b>RAP6-538</b>
	40			<b>RAP4-540</b>	<b>RAP5-540</b>	<b>RAP6-540</b>
	42			<b>RAP4-542</b>	<b>RAP5-542</b>	<b>RAP6-542</b>
6	44.5	G1 1/2	1 3/4	<b>RAP4-644.5</b>	<b>RAP5-644.5</b>	<b>RAP6-644.5</b>
	45			<b>RAP4-645</b>	<b>RAP5-645</b>	<b>RAP6-645</b>
	48			<b>RAP4-648</b>	<b>RAP5-648</b>	<b>RAP6-648</b>
	50			<b>RAP4-650</b>	<b>RAP5-650</b>	<b>RAP6-650</b>
	50.8	2		<b>RAP4-650.8</b>	<b>RAP5-650.8</b>	<b>RAP6-650.8</b>
	52			<b>RAP4-652</b>	<b>RAP5-652</b>	<b>RAP6-652</b>
	55			<b>RAP4-655</b>	<b>RAP5-655</b>	<b>RAP6-655</b>
	57			<b>RAP4-657</b>	<b>RAP5-657</b>	<b>RAP6-657</b>
			2 1/4			

If different combinations are required, we would be obliged if they could be ordered as separate components.  
Delivery in unassembled individual components.

<sup>1)</sup> Contrary to illustration size 0 clamps are secured by only one screw.

\* Only with cover plate, hexagon screws and locking washers.

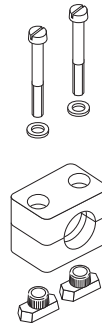
## Tube clamps series A – Complete Range

**Order code for clamp halves:**

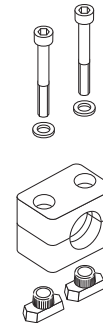
- Polypropylene – **RAP**
- Inside smooth – **RAPG**
- Polyamide 6 – **RAN**
- Inside smooth – **RANG**
- Rubber – **RAVG\***
- Aluminium – **RAA**

(As required please exchange standard abbreviation RAP in column for "order code")

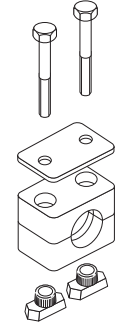
2 clamp halves, rail nuts, slot head bolts and bushes



2 clamp halves, rail nuts, socket head bolts and bushes



2 clamp halves, rail nuts, cover plate and hex. head bolts



clamp size	O.D. mm	Inch NB	Inch O.D.	Order code	Order code	Order code
0 <sup>1)</sup>	6	G <sup>1</sup> / <sub>8</sub>	1/4	<b>RAP9-006</b>	<b>RAP10-006</b>	<b>RAP12-006</b>
	6.4			<b>RAP9-006.4</b>	<b>RAP10-006.4</b>	<b>RAP12-006.4</b>
	8			<b>RAP9-008</b>	<b>RAP10-008</b>	<b>RAP12-008</b>
	9.5			<b>RAP9-009.5</b>	<b>RAP10-009.5</b>	<b>RAP12-009.5</b>
	10			<b>RAP9-010</b>	<b>RAP10-010</b>	<b>RAP12-010</b>
	12		3/8	<b>RAP9-012</b>	<b>RAP10-012</b>	<b>RAP12-012</b>
1	6	G <sup>1</sup> / <sub>8</sub>	1/4	<b>RAP9-106</b>	<b>RAP10-106</b>	<b>RAP12-106</b>
	6.4			<b>RAP9-106.4</b>	<b>RAP10-106.4</b>	<b>RAP12-106.4</b>
	8			<b>RAP9-108</b>	<b>RAP10-108</b>	<b>RAP12-108</b>
	9.5			<b>RAP9-109.5</b>	<b>RAP10-109.5</b>	<b>RAP12-109.5</b>
	10			<b>RAP9-110</b>	<b>RAP10-110</b>	<b>RAP12-110</b>
	12		3/8	<b>RAP9-112</b>	<b>RAP10-112</b>	<b>RAP12-112</b>
2	12.7	G <sup>1</sup> / <sub>4</sub>	1/2	<b>RAP9-212.7</b>	<b>RAP10-212.7</b>	<b>RAP12-212.7</b>
	13.5			<b>RAP9-213.5</b>	<b>RAP10-213.5</b>	<b>RAP12-213.5</b>
	14			<b>RAP9-214</b>	<b>RAP10-214</b>	<b>RAP12-214</b>
	15	G <sup>3</sup> / <sub>8</sub>	5/8	<b>RAP9-215</b>	<b>RAP10-215</b>	<b>RAP12-215</b>
	16			<b>RAP9-216</b>	<b>RAP10-216</b>	<b>RAP12-216</b>
	17.2			<b>RAP9-217.2</b>	<b>RAP10-217.2</b>	<b>RAP12-217.2</b>
	18			<b>RAP9-218</b>	<b>RAP10-218</b>	<b>RAP12-218</b>
3	19	G <sup>1</sup> / <sub>2</sub>	3/4	<b>RAP9-319</b>	<b>RAP10-319</b>	<b>RAP12-319</b>
	20			<b>RAP9-320</b>	<b>RAP10-320</b>	<b>RAP12-320</b>
	21.3			<b>RAP9-321.3</b>	<b>RAP10-321.3</b>	<b>RAP12-321.3</b>
	22			<b>RAP9-322</b>	<b>RAP10-322</b>	<b>RAP12-322</b>
	23			<b>RAP9-323</b>	<b>RAP10-323</b>	<b>RAP12-323</b>
	25		1	<b>RAP9-325</b>	<b>RAP10-325</b>	<b>RAP12-325</b>
4	26.9	G <sup>3</sup> / <sub>4</sub>		<b>RAP9-426.9</b>	<b>RAP10-426.9</b>	<b>RAP12-426.9</b>
	28			<b>RAP9-428</b>	<b>RAP10-428</b>	<b>RAP12-428</b>
	30			<b>RAP9-430</b>	<b>RAP10-430</b>	<b>RAP12-430</b>
5	32	G1	1 1/4	<b>RAP9-532</b>	<b>RAP10-532</b>	<b>RAP12-532</b>
	33.7			<b>RAP9-533.7</b>	<b>RAP10-533.7</b>	<b>RAP12-533.7</b>
	35			<b>RAP9-535</b>	<b>RAP10-535</b>	<b>RAP12-535</b>
	38	G1 1/4	1 1/2	<b>RAP9-538</b>	<b>RAP10-538</b>	<b>RAP12-538</b>
	40			<b>RAP9-540</b>	<b>RAP10-540</b>	<b>RAP12-540</b>
	42			<b>RAP9-542</b>	<b>RAP10-542</b>	<b>RAP12-542</b>
6	44.5	G1 1/2	1 3/4	<b>RAP9-644.5</b>	<b>RAP10-644.5</b>	<b>RAP12-644.5</b>
	45			<b>RAP9-645</b>	<b>RAP10-645</b>	<b>RAP12-645</b>
	48			<b>RAP9-648</b>	<b>RAP10-648</b>	<b>RAP12-648</b>
	50	2		<b>RAP9-650</b>	<b>RAP10-650</b>	<b>RAP12-650</b>
	50.8			<b>RAP9-650.8</b>	<b>RAP10-650.8</b>	<b>RAP12-650.8</b>
	52			<b>RAP9-652</b>	<b>RAP10-652</b>	<b>RAP12-652</b>
	55			<b>RAP9-655</b>	<b>RAP10-655</b>	<b>RAP12-655</b>
	57		2 1/4	<b>RAP9-657</b>	<b>RAP10-657</b>	<b>RAP12-657</b>

If different combinations are required, we would be obliged if they could be ordered as separate components.  
 Delivery in unassembled individual components.

<sup>1)</sup> Contrary to illustration size 0 clamps are secured by only one screw.

\* Only with cover plate, hexagon screws and locking washers.





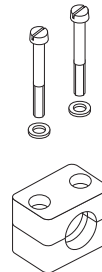
## Tube clamps series A – Complete Range

**Order code for clamp halves:**

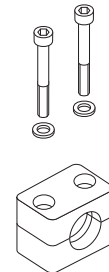
- Polypropylene – **RAP**
- Inside smooth – **RAPG**
- Polyamide 6 – **RAN**
- Inside smooth – **RANG**
- Rubber – **RAVG\***
- Aluminium – **RAA**

(As required please exchange standard abbreviation RAP in column for "order code")

2 clamp halves, slot heads and bushes



2 clamp halves, socket head bolts and bushes



clamp size	O.D. mm	Inch NB	Inch O.D.	Order code	Order code
0 <sup>1)</sup>	6	G <sup>1</sup> / <sub>8</sub>	1/4	<b>RAP13-006</b>	<b>RAP14-006</b>
	6.4			<b>RAP13-006.4</b>	<b>RAP14-006.4</b>
	8			<b>RAP13-008</b>	<b>RAP14-008</b>
	9.5			<b>RAP13-009.5</b>	<b>RAP14-009.5</b>
	10			<b>RAP13-010</b>	<b>RAP14-010</b>
	12			<b>RAP13-012</b>	<b>RAP14-012</b>
1	6	G <sup>1</sup> / <sub>8</sub>	1/4	<b>RAP13-106</b>	<b>RAP14-106</b>
	6.4			<b>RAP13-106.4</b>	<b>RAP14-106.4</b>
	8			<b>RAP13-108</b>	<b>RAP14-108</b>
	9.5			<b>RAP13-109.5</b>	<b>RAP14-109.5</b>
	10			<b>RAP13-110</b>	<b>RAP14-110</b>
	12			<b>RAP13-112</b>	<b>RAP14-112</b>
2	12.7	G <sup>1</sup> / <sub>4</sub>	1/2	<b>RAP13-212.7</b>	<b>RAP14-212.7</b>
	13.5			<b>RAP13-213.5</b>	<b>RAP14-213.5</b>
	14			<b>RAP13-214</b>	<b>RAP14-214</b>
	15	G <sup>3</sup> / <sub>8</sub>	5/8	<b>RAP13-215</b>	<b>RAP14-215</b>
	16			<b>RAP13-216</b>	<b>RAP14-216</b>
	17.2			<b>RAP13-217.2</b>	<b>RAP14-217.2</b>
18	<b>RAP13-218</b>	<b>RAP14-218</b>			
3	19	G <sup>1</sup> / <sub>2</sub>	3/4	<b>RAP13-319</b>	<b>RAP14-319</b>
	20			<b>RAP13-320</b>	<b>RAP14-320</b>
	21.3			<b>RAP13-321.3</b>	<b>RAP14-321.3</b>
	22			<b>RAP13-322</b>	<b>RAP14-322</b>
	23			<b>RAP13-323</b>	<b>RAP14-323</b>
	25			<b>RAP13-325</b>	<b>RAP14-325</b>
4	26.9	G <sup>3</sup> / <sub>4</sub>	1	<b>RAP13-426.9</b>	<b>RAP14-426.9</b>
	28			<b>RAP13-428</b>	<b>RAP14-428</b>
	30			<b>RAP13-430</b>	<b>RAP14-430</b>
5	32	G1	1 1/4	<b>RAP13-532</b>	<b>RAP14-532</b>
	33.7			<b>RAP13-533.7</b>	<b>RAP14-533.7</b>
	35			<b>RAP13-535</b>	<b>RAP14-535</b>
	38	G1 1/4	1 1/2	<b>RAP13-538</b>	<b>RAP14-538</b>
	40			<b>RAP13-540</b>	<b>RAP14-540</b>
	42			<b>RAP13-542</b>	<b>RAP14-542</b>
6	44.5	G1 1/2	1 3/4	<b>RAP13-644.5</b>	<b>RAP14-644.5</b>
	45			<b>RAP13-645</b>	<b>RAP14-645</b>
	48			<b>RAP13-648</b>	<b>RAP14-648</b>
	50			<b>RAP13-650</b>	<b>RAP14-650</b>
	50.8		2	<b>RAP13-650.8</b>	<b>RAP14-650.8</b>
	52			<b>RAP13-652</b>	<b>RAP14-652</b>
	55			<b>RAP13-655</b>	<b>RAP14-655</b>
	57			<b>RAP13-657</b>	<b>RAP14-657</b>
			2 1/4		

If different combinations are required, we would be obliged if they could be ordered as separate components.

Delivery in unassembled individual components.

<sup>1)</sup> Contrary to illustration size 0 clamps are secured by only one screw.

\* Only with cover plate, hexagon screws and locking washers.

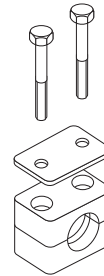
## Tube clamps series A – Complete Range

**Order code for clamp halves:**

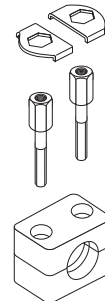
- Polypropylene – **RAP**
- Inside smooth – **RAPG**
- Polyamide 6 – **RAN**
- Inside smooth – **RANG**
- Rubber – **RAVG\***
- Aluminium – **RAA**

(As required please exchange standard abbreviation RAP in column for "order code")

2 clamp halves, cover plate and hex. head bolts



2 clamp halves, stacking bolts and locking plate



clamp size	O.D. mm	Inch NB	Inch O.D.	Order code	Order code
0 <sup>1)</sup>	6	G <sup>1</sup> / <sub>8</sub>	1/4	<b>RAP16-006</b>	<b>RAP18-006</b>
	6.4			<b>RAP16-006.4</b>	<b>RAP18-006.4</b>
	8			<b>RAP16-008</b>	<b>RAP18-008</b>
	9.5			<b>RAP16-009.5</b>	<b>RAP18-009.5</b>
	10			<b>RAP16-010</b>	<b>RAP18-010</b>
	12			<b>RAP16-012</b>	<b>RAP18-012</b>
1	6	G <sup>1</sup> / <sub>8</sub>	1/4	<b>RAP16-106</b>	<b>RAP18-106</b>
	6.4			<b>RAP16-106.4</b>	<b>RAP18-106.4</b>
	8			<b>RAP16-108</b>	<b>RAP18-108</b>
	9.5			<b>RAP16-109.5</b>	<b>RAP18-109.5</b>
	10			<b>RAP16-110</b>	<b>RAP18-110</b>
	12			<b>RAP16-112</b>	<b>RAP18-112</b>
2	12.7	G <sup>1</sup> / <sub>4</sub>	1/2	<b>RAP16-212.7</b>	<b>RAP18-212.7</b>
	13.5			<b>RAP16-213.5</b>	<b>RAP18-213.5</b>
	14			<b>RAP16-214</b>	<b>RAP18-214</b>
	15			<b>RAP16-215</b>	<b>RAP18-215</b>
	16	G <sup>3</sup> / <sub>8</sub>	5/8	<b>RAP16-216</b>	<b>RAP18-216</b>
	17.2			<b>RAP16-217.2</b>	<b>RAP18-217.2</b>
	18			<b>RAP16-218</b>	<b>RAP18-218</b>
3	19	G <sup>1</sup> / <sub>2</sub>	3/4	<b>RAP16-319</b>	<b>RAP18-319</b>
	20			<b>RAP16-320</b>	<b>RAP18-320</b>
	21.3			<b>RAP16-321.3</b>	<b>RAP18-321.3</b>
	22			<b>RAP16-322</b>	<b>RAP18-322</b>
	23			<b>RAP16-323</b>	<b>RAP18-323</b>
	25			<b>RAP16-325</b>	<b>RAP18-325</b>
4	26.9	G <sup>3</sup> / <sub>4</sub>		<b>RAP16-426.9</b>	<b>RAP18-426.9</b>
	28			<b>RAP16-428</b>	<b>RAP18-428</b>
	30			<b>RAP16-430</b>	<b>RAP18-430</b>
5	32	G1	1 1/4	<b>RAP16-532</b>	<b>RAP18-532</b>
	33.7			<b>RAP16-533.7</b>	<b>RAP18-533.7</b>
	35			<b>RAP16-535</b>	<b>RAP18-535</b>
	38	G1 1/4	1 1/2	<b>RAP16-538</b>	<b>RAP18-538</b>
	40			<b>RAP16-540</b>	<b>RAP18-540</b>
	42			<b>RAP16-542</b>	<b>RAP18-542</b>
6	44.5	G1 1/2	1 3/4	<b>RAP16-644.5</b>	<b>RAP18-644.5</b>
	45			<b>RAP16-645</b>	<b>RAP18-645</b>
	48			<b>RAP16-648</b>	<b>RAP18-648</b>
	50			<b>RAP16-650</b>	<b>RAP18-650</b>
	50.8	2		<b>RAP16-650.8</b>	<b>RAP18-650.8</b>
	52			<b>RAP16-652</b>	<b>RAP18-652</b>
	55			<b>RAP16-655</b>	<b>RAP18-655</b>
	57			<b>RAP16-657</b>	<b>RAP18-657</b>
	2 1/4				

If different combinations are required, we would be obliged if they could be ordered as separate components.

Delivery in unassembled individual components.

<sup>1)</sup> Contrary to illustration size 0 clamps are secured by only one screw.

\* Only with cover plate, hexagon screws and locking washers.

