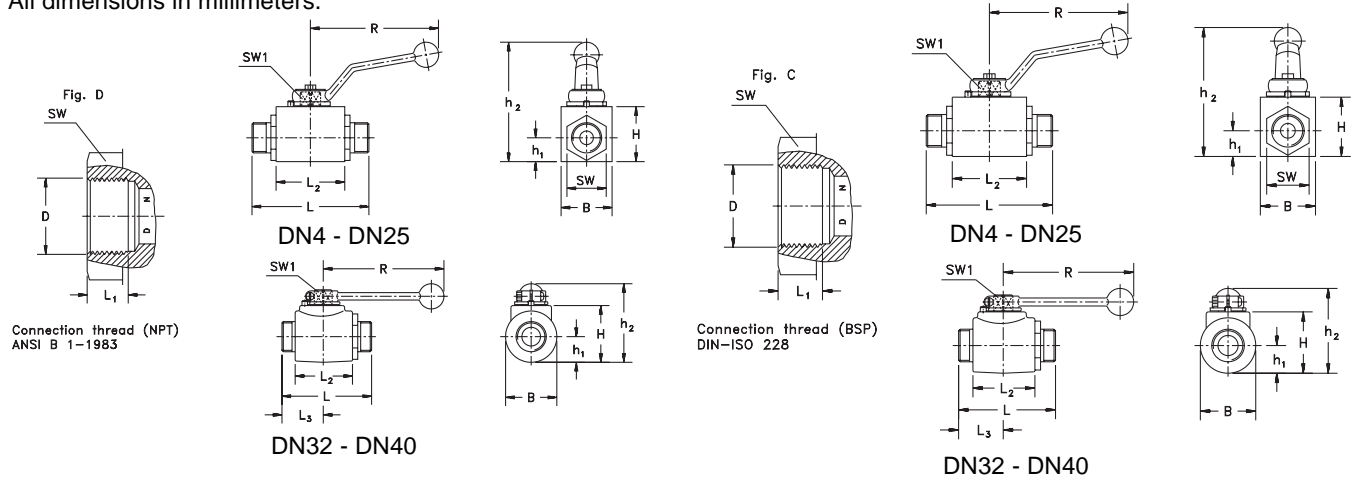


Two-Way Ball Valve KH-R/NPT

Female BSP Thread / Female BSP Thread
Female NPT Thread / Female NPT Thread

All dimensions in millimeters.



Part no.	Series Working Pressure (bar/psi)	Tube o.d.	DN	D	L1	L2	L3	L	B	H	h1	h2	SW1	SW	R	Standard Material From Stock		
																S	SS	B
KH1/8X	310 bar	-	4	G 1/8	12	36	-	69	20	25	10	55	7	19	76	•	•	
KH1/4X	4530 psi	-	6	G 1/4	12	36	-	69	20	25	10	55	7	19	76	•	•	
KH3/8X		-	10	G 3/8	14	45	-	73	30	35	14.5	68	8	24	100	•	•	
KH1/2X		-	12	G 1/2	16	51	-	82	35	40	17	92	10	30	112	•	•	
KH5/8X	250 bar 3625 psi	-	16	G 5/8	18	50	-	88	40	45	20	105	11	36	166			
KH3/4X	195 bar	-	20	G 3/4	19	60	-	93	45	55	24	113	14	41	187	•	•	
KH1X	2850 psi	-	25	G 1	22	70	-	113	55	60	26	118	14	50	187	•	•	
KH1/8NPTX	310 bar	-	4	1/8-27 NPT	7	36	-	69	20	25	10	55	7	19	76	•		
KH1/4NPTX	4530 psi	-	6	1/4-18 NPT	10	36	-	69	20	25	10	55	7	19	76	•		
KH3/8NPTX		-	10	3/8-18 NPT	10.4	45	-	73	30	35	14.5	68	8	24	100	•		
KH1/2NPTX		-	12	1/2-14 NPT	13.6	51	-	82	35	40	17	92	10	30	112	•		
KH3/4NPTX	195 bar	-	20	3/4-14 NPT	14	60	-	93	45	55	24	113	14	41	187	•		
KH1NPTX	2850 psi	-	25	1-11 1/2 NPT	16.8	70	-	113	55	60	26	118	14	50	187	•		

Part no.	Series Working Pressure (bar/psi)	Tube o.d.	DN	D	L1	L2	L3	L	B	H	h1	h2	SW1	SW	R	Standard Material From Stock		
																S	SS	B
KH11/4X	195 bar	-	32	G 1 1/4	20	70	58.5	110	73	80	36.5	104.5	17	60	240	•	•	
KH11/2X	2850 psi	-	40	G 1 1/2	22	75	57	114	85	90	42.5	114.5	17	70	240	•	•	
KH11/4NPTX	195 bar	-	32	1 1/4-11 1/2 NPT	17.3	70	58.5	110	73	80	36.5	104.5	17	60	240	•		
KH11/2NPTX	2850 psi	-	40	1 1/2-11 1/2 NPT	17.3	75	57	114	85	90	42.5	114.5	17	70	240	•		