

**In-line 3/2, 5/2 and 5/3 Spool Valves  
Manually and Mechanically Actuated  
G<sup>1</sup>/<sub>8</sub> and G<sup>1</sup>/<sub>4</sub>**

- Wide range of operators
- Suitable for multi-directional flow and dual supply applications
- High flow capacity
- Lightweight corrosion resistant materials


**Technical Data**

Medium:

Compressed air, filtered, lubricated and non-lubricated

Operation:

Spool Valve, directly and indirectly actuated

Mounting:

Through-holes in valve body

Port Size:

G<sup>1</sup>/<sub>8</sub> & G<sup>1</sup>/<sub>4</sub>

Operating Pressure:

Maximum 10 bar. For details see overleaf

Flow Characteristics:

Size	Function	'C'	'b'	'A'	l/min	Cv	Kv
G <sup>1</sup> / <sub>8</sub>	3/2, 5/2 & 5/3	1,4	0,441	5,5	335	0,34	0,295
G <sup>1</sup> / <sub>4</sub>	3/2, 5/2 & 5/3	4,0	0,434	16	965	0,98	0,351

Operating Temperature:

0°C\* to +70°C

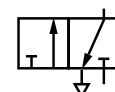
\* Consult our Technical Service for use below +2°C.

Materials:

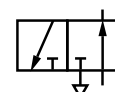
Diecast aluminium alloy body, aluminium end cover, nitrile rubber seals

**Ordering Information**

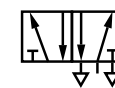
To order, quote number from tables overleaf, e.g. 03 0402 02 for a Roller Actuated, Spring Return Model.



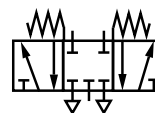
3/2 Normally closed



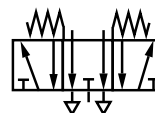
3/2 Normally open



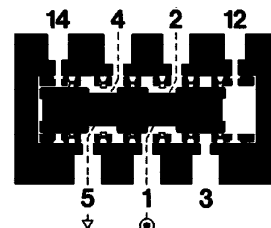
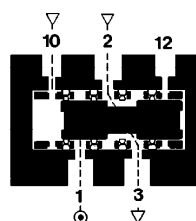
5/2



5/3  
All ports blocked mid position



5/3  
Centre open exhaust mid position



For Technical Data on Super X Solenoid and Pilot Valves see section 5.4.151



**G<sup>1</sup>/<sub>8</sub> 3/2 Mechanical Valves**

Symbol	Model	Operator	Return	Operating Pressure (bar)	Weight (kg)	Spares kit	Page no.
	03 0400 02	Plunger	Spring	2 - 10	0,140	03 8408 02	8
	03 0417 02	Plunger	Pilot	2 - 10	0,200	03 8408 02	8
	03 0402 02	Roller	Spring	2 - 10	0,140	03 8408 02	8
	03 0411 02	Roller Lever	Spring	2 - 10	0,210	03 8408 02	8
	03 0293 02	Roller Lever (Heavy Duty)	Spring	2 - 10	0,210	03 8408 02	9
	03 0423 02	Sensitive Roller Lever	Spring	2 - 10	0,250	N/A	9
	03 0409 02	Roller	Pilot	2 - 10	0,180	03 8408 02	9
	03 0427 02	Roller Lever	Pilot	2 - 10	0,250	03 8408 02	9
	03 0410 02	One-way Trip	Spring	2 - 10	0,210	03 8408 02	10
	03 0294 02	One-way trip (Heavy Duty)	Spring	2 - 10	0,210	03 8408 02	10
	03 0432 02	Antenna	Spring	2 - 10	0,210	N/A	10

**G<sup>1</sup>/<sub>8</sub> 5/2 Mechanical Valves**

Symbol	Model	Operator	Return	Operating Pressure (bar)	Weight (kg)	Spares kit	Page no.
	X3 0440 02	Plunger	Spring	2 - 10	0,250	03 8408 02	11
	X3 0457 02	Plunger	Pilot	2 - 10	0,310	03 8408 02	11
	X3 0442 02	Roller	Spring	2 - 10	0,250	03 8408 02	11
	X3 0451 02	Roller Lever	Spring	2 - 10	0,320	03 8408 02	11
	X3 0393 02	Roller Lever (Heavy Duty)	Spring	2 - 10	0,290	03 8408 02	12
	X3 0463 02	Sensitive Roller Lever	Spring	2 - 10	0,360	N/A	12
	X3 0449 02	Roller	Pilot	2 - 10	0,290	03 8408 02	12
	X3 0467 02	Roller Lever	Pilot	2 - 10	0,360	03 8408 02	12
	X3 0450 02	One-way Trip	Spring	2 - 10	0,320	03 8408 02	13
	X3 0394 02	One Way Trip (Heavy Duty)	Spring	2 - 10	0,290	03 8408 02	13
	X3 0472 02	Antenna	Spring	2 - 10	0,300	N/A	13

**G<sup>1</sup>/<sub>4</sub> 3/2 Mechanical Valves**

Symbol	Model	Operator	Return	Operating Pressure (bar)	Weight (kg)	Spares kit	Page no.
	03 0600 02	Plunger	Spring	2 - 10	0,340	03 8602 02	14
	03 0602 02	Roller	Spring	2 - 10	0,340	03 8602 02	14
	03 0611 02	Roller Lever	Spring	2 - 10	0,410	03 8602 02	14
	03 0609 02	Roller	Pilot	2 - 10	0,390	03 8612 02	14
	03 0624 02	Roller Lever	Pilot	2 - 10	0,450	03 8612 02	15



**G1/4 5/2 Mechanical Valves**

Symbol	Model	Operator	Return	Operating Pressure (bar)	Weight (kg)	Spares kit	Page no.
	X3 0640 02	Plunger	Spring	2 - 10	0,460	03 8602 02	16
	X3 0642 02	Roller	Spring	2 - 10	0,460	03 8602 02	16
	X3 0651 02	Roller Lever	Spring	2 - 10	0,530	03 8602 02	16
	X3 0649 02	Roller	Pilot	2 - 10	0,500	03 8612 02	16
	X3 0664 02	Roller Lever	Pilot	2 - 10	0,570	03 8612 02	17

**G1/8 3/2 Manual Valves**

Symbol	Model	Colour	Operator	Return	Operating Pressure (bar)	Weight (kg)	Spares kit	Page no.
	03 0404 02	Black	Button (Palm)	Spring	2 - 10	0,150	03 8408 02	18
	03 0405 02	Green						
	03 0406 02	Red						
	03 0366 02	Red	Button, (Palm)	Spring	2 - 10	0,290	03 8408 02	18
	03 0367 02	Green						
03 0368 02	Black	Button, (Shrouded)	Spring	2 - 10	0,210	03 8408 02	18	
03 0414 02	Black							
03 0415 02	Green							
	03 0416 02	Red	Button (Palm)	Pilot	2 - 10	0,220	03 8408 02	18
	03 0408 02	Black						
	03 0420 02	Green						
	03 0421 02	Red	Emergency Stop	Twist Ring	2 - 10	0,310	03 8473 02	19
	03 0428 02	Red		Rotary Knob	2 - 10	0,276	03 8408 02	19
	03 0297 02	Red	Emergency Stop	Rotary Knob	2 - 10	0,276	03 8408 02	19
	03 0335 02	Red	Button, Palm	Key	2 - 10	0,370	03 8408 02	19
	03 0438 02	Black	Lever	Spring	2 - 10	0,280	03 8408 02	20
	03 0426 02	Black	Lever	Spring	2 - 10	0,240	03 8408 02	20
	03 0403 02	Black	Lever	Lever	2 - 10	0,160	03 8408 02	20
	03 0437 02	Black	Lever	Lever	2 - 10	0,290	03 8408 02	20
	03 0296 02	Black	Lever	Lever	2 - 10	0,250	03 8048 02	19
	03 0425 02	Black	Knob	Knob	2 - 10	0,170	03 8408 02	20
	03 0424 02	Black	Knob	Knob or Pilot	2 - 10	0,210	03 8408 02	21
	03 0419 02	Black	Rotary Knob	Rotary Knob	2 - 10	0,290	03 8408 02	21
	03 0418 02 801	Chrome	Key	Key	2 - 10	0,360	03 8408 02	21
	03 0481 02	Black	Pedal	Spring	2 - 10	1,030	03 8408 02	21
	03 0483 02	Black	Pedal	Pedal	2 - 10	1,070	03 8408 02	22



**G<sup>1</sup>/<sub>8</sub> 3/2 Manual Valves with Electrical Style Operating Heads**

Symbol	Model	Colour	Operator	Return	Operating Pressure (bar)	Weight (kg)	Spares Kit	Page no.
	03 0269 02	Red	Button (Palm)	Spring	2 - 10	0,221	03 8408 02	23
	03 0270 02	Green						
	03 0271 02	Black						
	03 0263 02	Red	Button (Mushroom)	Spring	2 - 10	0,221	03 8408 02	22
	03 0264 02	Green						
	03 0265 02	Black						
	03 0266 02	Red	Button (Shrouded)	Spring	2 - 10	0,214	03 8408 02	23
	03 0267 02	Green						
	03 0268 02	Black						
	03 0272 02	Red	Button	Key	2 - 10	0,242	03 8408 02	23
	03 0273 02	-	Switch	Switch	2 - 10	0,250	03 8408 02	23
	03 0261 02	Black	Rotary knob	Rotary knob	2 - 10	0,229	03 8408 02	22
	03 0262 02	-	Key	Key	2 - 10	0,300	03 8408 02	22

**G<sup>1</sup>/<sub>8</sub> 3/2 Adapter valve**

Symbol	Model	Colour	Operator	Return	Operating Pressure (bar)	Weight (kg)	Spares Kit	Page no.
	03 0295 02	-	Adapter	Spring	2 - 10	2,21	03 8408 02	24



G1/8 5/2 & 5/3 Manual Valves

Symbol	Model	Colour	Operator	Mid-position	Return	Operating Pressure (bar)	Weight (kg)	Spares kit	Page no.
	X3 0444 02	Black	Button (Palm)	-	Spring	2 - 10	0,260	03 8408 02	25
	X3 0445 02	Green							
	X3 0446 02	Red							
	X3 0386 02	Red	Button (Palm)	-	Spring	2 - 10	0,400	03 8408 02	25
	X3 0387 02	Green							
X3 0388 02	Black								
	X3 0454 02	Black	Button (Shrouded)	-	Spring	2 - 10	0,320	03 8408 02	25
	X3 0455 02	Green							
	X3 0456 02	Red							
	X3 0448 02	Black	Button (Palm)	-	Pilot	2 - 10	0,340	03 8408 02	25
	X3 0460 02	Green							
	X3 0461 02	Red							
	X3 0465 02	Black	Knob, push	-	Knob, Pull	2 - 10	0,280	03 8408 02	28
	X3 0297 02	Red	Emergency Stop	-	Spring	2 - 10	0,337	03 8408 02	26
	X3 0468 02	Red	Emergency Stop	-	Twist Ring	2 - 10	0,540	03 8473 02	26
	X3 0375 02	Red	Palm Button, push	-	Key	2 - 10	0,480	03 8408 02	26
	X3 0478 02	Black	Lever	-	Spring	2 - 10	0,400	03 8408 02	27
	X3 0466 02	Black	Lever	-	Spring	2 - 10	0,350	03 8408 02	27
	X3 0443 02	Black	Lever	-	Lever	2 - 10	0,270	03 8408 02	27
	X3 0477 02	Black	Lever	-	Lever	2 - 10	0,400	03 8408 02	27
	X3 0296 02	Black	Lever	-	Lever	2 - 10	0,360	03 8408 02	26
	X3 3438 02	Black	Lever	APB	Lever	2 - 10	0,850	03 8408 02	27
	X3 3478 02	Black	Lever	COE	Lever	2 - 10	0,850	03 8408 02	27
	X3 3437 02	Black	Lever	APB	Lever	2 - 10	0,440	03 8408 02	27
	X3 3477 02	Black	Lever	COE	Lever	2 - 10	0,440	03 8408 02	27
	X3 0464 02	Black	Knob (push)	-	Knob (pull) or Pilot	2 - 10	0,320	03 8408 02	28
	X3 0459 02	Black	Rotary Knob	-	Rotary Knob	2 - 10	0,400	03 8408 02	28
	X3 0458 02 801	Chrome	Key	-	Key	2 - 10	0,470	03 8408 02	28
	X3 0482 02	Black	Pedal	-	Spring	2 - 10	1,120	03 8408 02	29
	X3 0484 02	Black	Pedal	-	Pedal	2 - 10	1,180	03 8408 02	29

APB = All Ports Blocked, COE = Centre Open Exhaust.



**G<sup>1</sup>/<sub>8</sub> 5/2 Manual Valves with Electrical Style Operating Heads**

Symbol	Model	Colour	Operator	Return	Operating Pressure (bar)	Weight (kg)	Spares Kit	Page no.
	X3 0269 02	Red	Button (Palm)	Spring	2 - 10	0,308	03 8408 02	30
	X3 0270 02	Green						
	X3 0271 02	Black						
	X3 0263 02	Red	Button (Mushroom)	Spring	2 - 10	0,308	03 8408 02	30
	X3 0264 02	Green						
	X3 0265 02	Black						
	X3 0266 02	Red	Button (Shrouded)	Spring	2 - 10	0,301	03 8408 02	30
	X3 0267 02	Green						
	X3 0268 02	Black						
	X0 0272 02	Red	Button	Key	2 - 10	0,329	03 8408 02	30
	X3 0273 02	-	Switch	Switch	2 - 10	0,340	03 8408 02	31
	X3 0261 02	Black	Rotary knob	Rotary knob	2 - 10	0,316	03 8408 02	29
	X3 0262 02	-	Key	Key	2 - 10	0,386	03 8408 02	29

**G<sup>1</sup>/<sub>8</sub> 5/2 Adapter valve**

Symbol	Model	Colour	Operator	Return	Operating Pressure (bar)	Weight (kg)	Spares Kit	Page no.
	X3 0395 02	-	Adapter	Spring	2 - 10	2,21	03 8408 02	31

**G<sup>1</sup>/<sub>4</sub> 3/2 Manual Valves**

Symbol	Model	Colour	Operator	Return	Operating Pressure (bar)	Weight (kg)	Spares kit	Page no.
	03 0604 02	Black	Button	Spring	2 - 10	0,350	03 8602 02	32
	03 0608 02	Black	Button	Pilot	2 - 10	0,420	03 8612 02	32
	03 0638 02	Black	Lever	Spring	2 - 10	0,480	03 8602 02	32
	03 0637 02	Black	Lever	Lever	2 - 10	0,490	03 8602 02	32
	03 0625 02	Black	Knob	Knob	2 - 10	0,370	03 8602 02	32
	03 0627 02	Black	Knob	Knob or Pilot	2 - 10	0,410	03 8612 02	33
	03 0681 02	Black	Pedal	Spring	2 - 10	1,230	03 8602 02	33
	03 0683 02	Black	Pedal	Pedal	2 - 10	1,270	03 8602 02	33



### G1/4 5/2 & 5/3 Manual Valves

Symbol	Model	Colour	Operator	Mid-position	Return	Operating Pressure (bar)	Weight (kg)	Spares kit	Page no.
	X3 0644 02	Black	Button	-	Spring	2 - 10	0,470	03 8602 02	34
	X3 0648 02	Black	Button	-	Pilot	2 - 10	0,540	03 8612 02	34
	X3 0678 02	Black	Lever	-	Spring	2 - 10	0,600	03 8602 02	34
	X3 0677 02	Black	Lever	-	Lever	2 - 10	0,610	03 8602 02	34
	X3 3638 02	Black	Lever	APB	Lever	2 - 10	1,060	03 8602 02	34
	X3 3678 02	Black	Lever	COE	Lever	2 - 10	1,060	03 8602 02	34
	X3 3637 02	Black	Lever	APB	Lever	2 - 10	0,650	03 8602 02	34
	X3 3677 02	Black	Lever	COE	Lever	2 - 10	0,650	03 8602 02	34
	X3 0665 02	Black	Knob	-	Knob	2 - 10	0,490	03 8602 02	35
	X3 0682 02	Black	Pedal	-	Spring	2 - 10	1,330	03 8602 02	35
	X3 0684 02	Black	Pedal	-	Pedal	2 - 10	1,390	03 8602 02	35

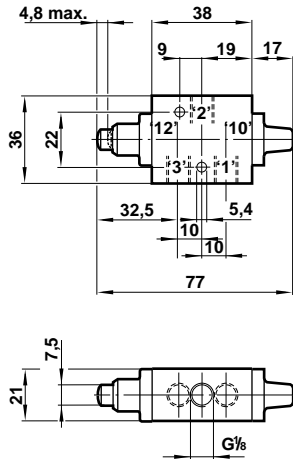
APB = All Ports Blocked, COE = Centre Open Exhaust.

### G1/8 5/2 and 3/2 Adapter Valve Heads

Model No.	Operator	Type	Colour
M/P 34840/R	Button (Palm)/Spring	Momentary Action	Red
M/P 34840/G			Green
M/P 34840/N			Black
M/P 34841/R	Button (Shrouded)/Spring	Momentary Action	Red
M/P 34841/G			Green
M/P 34841/N			Black
M/P 34842/R	Button (Mushroom)/Spring	Momentary Action	Red
M/P 34842/G			Green
M/P 34842/N			Black
M/P 34862	Emergency Stop Button/Key	Maintained Action	Red
M/P 34846	Switch/Switch	Maintained Action	-
M/P 34843	Rotary Knob/Rotary Knob	Maintained Action	-
M/P 34845	Key/Key	Maintained Action	-

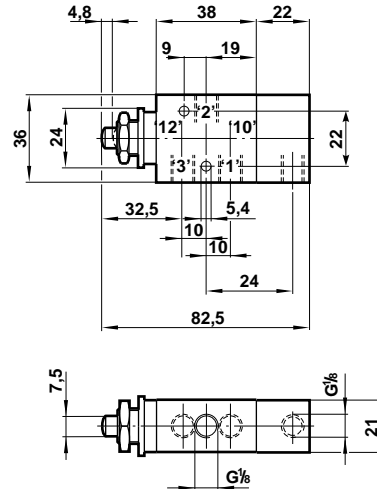


**03 0400 02**  
**G<sup>1</sup>/<sub>8</sub> 3/2 Plunger Actuated Spring Return Valve**



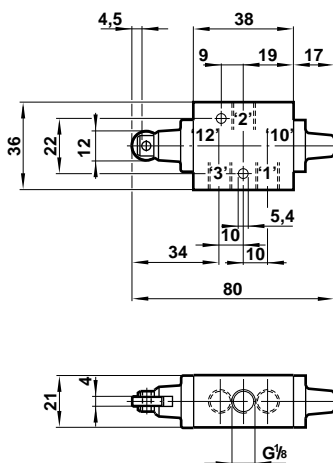
Operating Force: 31N  
The plunger on this valve is designed for axial loading only.

**03 0417 02**  
**G<sup>1</sup>/<sub>8</sub> 3/2 Plunger Actuated Pilot Return Valve**



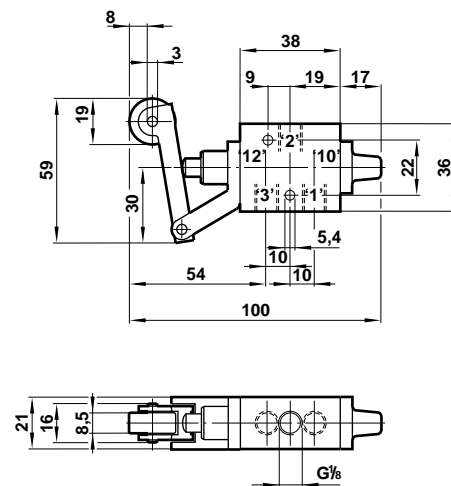
Operating Force: 18N, '10' at zero bar  
Reset Pressure: 2 bar minimum; Full Movement: 4.8mm  
The plunger on this valve is designed for axial loading only. This valve can be panel mounted.  
Panel Cut-out: Ø15; Panel thickness: 5mm

**03 0402 02**  
**G<sup>1</sup>/<sub>8</sub> 3/2 Roller Actuated Spring Return Valve**



Operating Force: 31N  
Maximum Recommended Cam Rise: 4.5 mm  
Cam Angle of Approach: 30° maximum  
Cam Speed: 8 m/min. maximum  
Operating Speed: 300 cpm

**03 0411 02**  
**G<sup>1</sup>/<sub>8</sub> 3/2 Roller Lever Actuated Spring Return Valve**



Operating Force: 18N; Operating Travel: 8 mm  
Over-travel: 3mm  
Cam Angle of Approach: 45° maximum  
Cam Speed: 8 m/min. maximum  
Operating Speed: 300 cpm

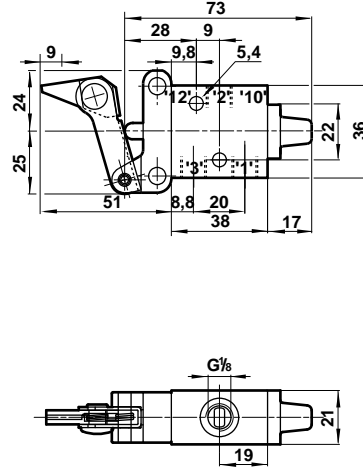
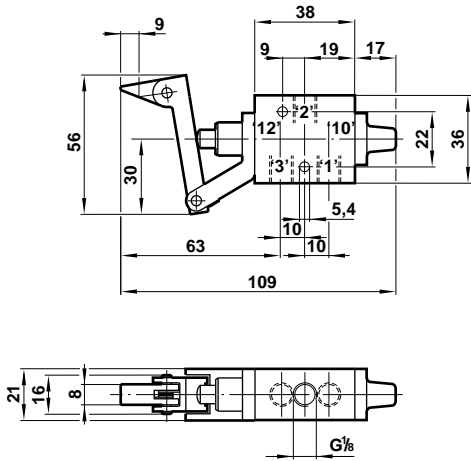






**03 0410 02**  
**G<sup>1</sup>/<sub>8</sub> 3/2 One-way Trip Actuated Spring Return Valve**

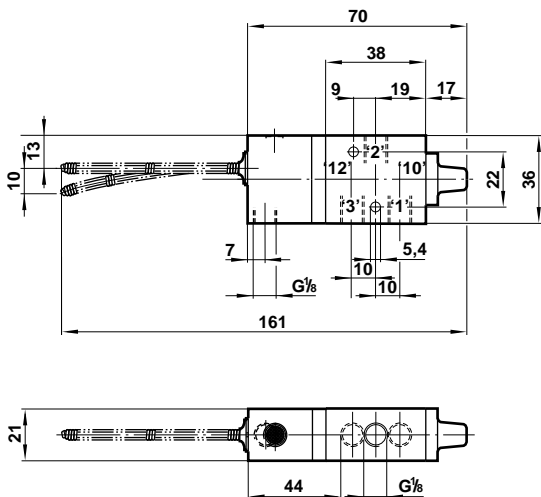
**03 0294 02**  
**G<sup>1</sup>/<sub>8</sub> 3/2 Heavy Duty One Way Trip Actuated Spring Return Valve**



Operating Force: 31N  
Cam Rise: 9 mm  
Cam Angle of Approach: 90° maximum  
Cam Speed: 2 m/min. maximum  
Operating Speed: 120 cpm

Operating Force: 31N  
Cam Rise: 9 mm  
Cam Angle of Approach: 90° maximum  
Cam Speed: 2 m/min. maximum  
Operating Speed: 120 cpm

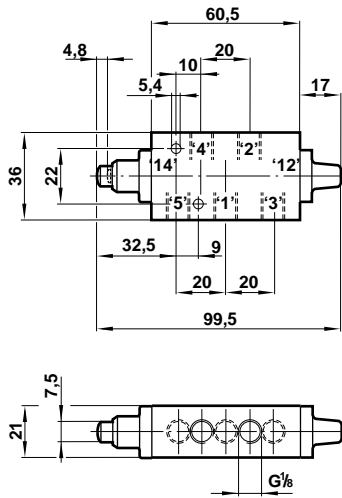
**03 0432 02**  
**G<sup>1</sup>/<sub>8</sub> 3/2 Antenna Actuated Spring Return Valve**



Operating Force: 0,3N at tip  
Constant Pilot Supply: 2 bar minimum  
Operating Movement: 10 mm minimum in any direction.

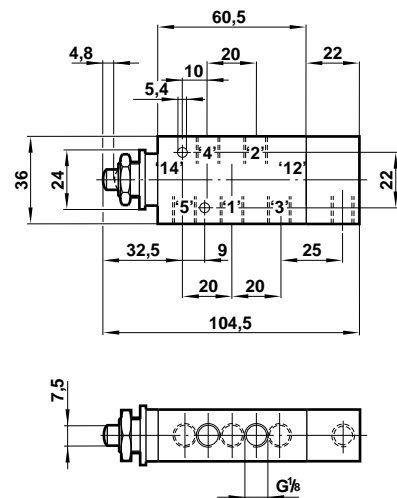


**X3 0440 02**  
**G<sup>1</sup>/<sub>8</sub> 5/2 Plunger Actuated Spring Return Valve**



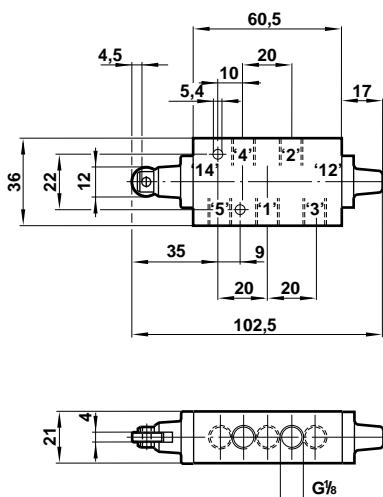
Operating Force: 54N  
 Full Movement: 4,8 mm  
 The plunger on this valve is designed for axial loading only.

**X3 0457 02**  
**G<sup>1</sup>/<sub>8</sub> 5/2 Plunger Actuated Pilot Return Valve**



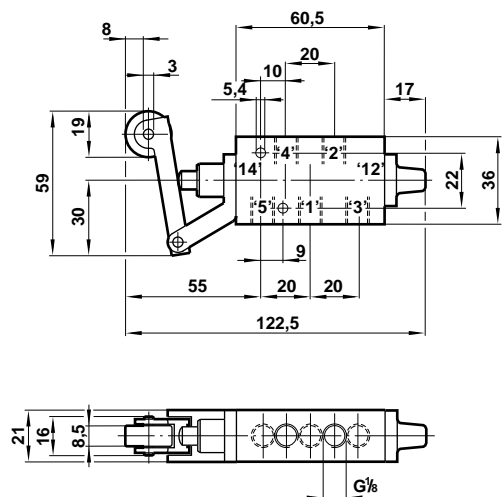
Operating Force: 22N, '12' at zero bar  
 Reset Pressure: 2 bar minimum; Full Movement: 4,8 mm  
 The plunger on this valve is designed for axial mounting only. This valve can be panel mounted.  
 Panel Cut-out: Ø15 mm; Maximum Panel Thickness: 5 mm

**X3 0442 02**  
**G<sup>1</sup>/<sub>8</sub> 5/2 Plunger Actuated Pilot Return Valve**



Operating Force: 54N  
 Maximum Recommended Can Rise: 4,5 mm  
 Cam Angle of Approach: 30° maximum  
 Cam Speed: 8 m/min. maximum  
 Operating Speed: 300 cpm

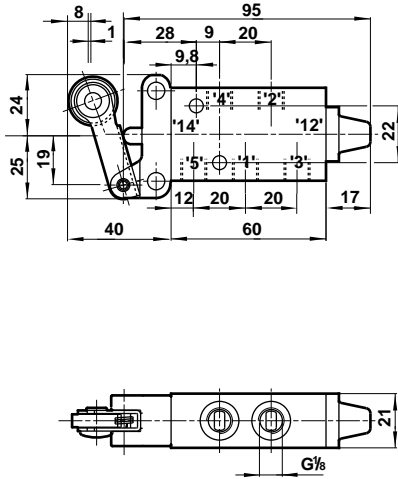
**X3 0451 02**  
**G<sup>1</sup>/<sub>8</sub> 5/2 Roller Lever Actuated Spring Return Valve**



Operating Force: 31N; Operating Travel: 8 mm  
 Over-travel: 3mm  
 Cam Angle of Approach: 45° maximum  
 Cam Speed: 8 m/min. maximum  
 Operating Speed: 300 cpm

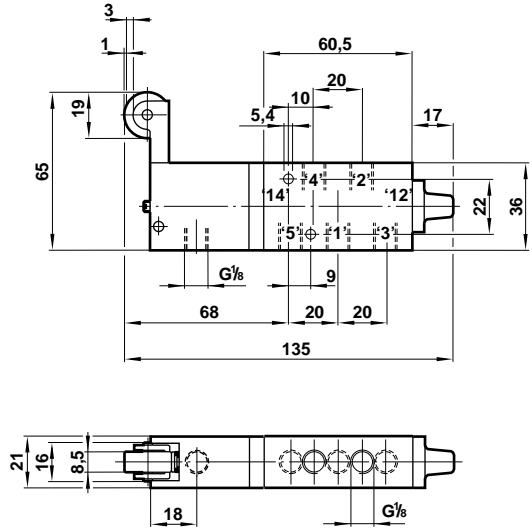


**X3 0393 02**  
**G<sup>1</sup>/<sub>8</sub> 5/2 Heavy Duty Roller Lever Actuated Spring Return Valve**



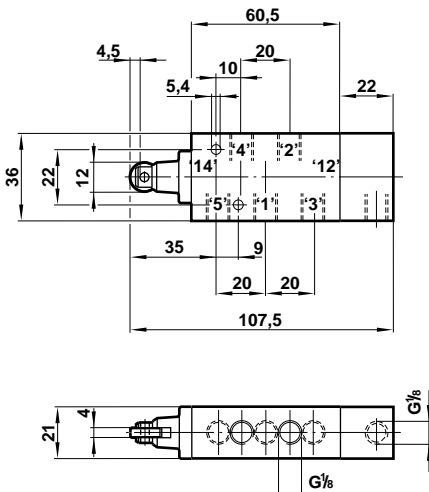
Operating Force: 31N; Operating Travel: 8 mm  
Over-travel: 1mm  
Cam Angle of Approach: 45° maximum  
Cam Speed: 8 m/min. maximum  
Operating Speed: 300 cpm

**X3 0463 02**  
**G<sup>1</sup>/<sub>8</sub> 5/2 Sensitive Roller Lever Actuated Spring Return Valve**



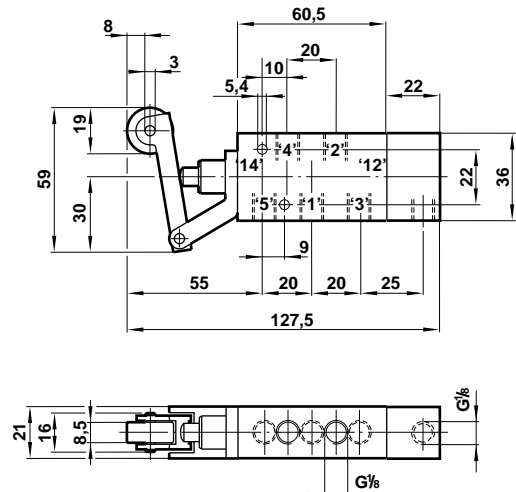
Operating Force: 1N  
Constant Pilot Supply: 3 bar minimum  
Pre-travel: 1 mm; Over-travel: 3mm  
Cam Angle of Approach: 45° maximum  
Cam Speed: 6,5 m/min. maximum

**X3 0449 02**  
**G<sup>1</sup>/<sub>8</sub> 5/2 Roller Actuated Pilot Return Valve**



Operating Force: 22N, '12' at zero bar  
Reset Pressure: 2 bar minimum  
Maximum Recommended Cam Rise: 4,5 mm  
Cam Angle of Approach: 30° maximum  
Cam Speed: 8 m/min. maximum  
Operating Speed: 300 cpm

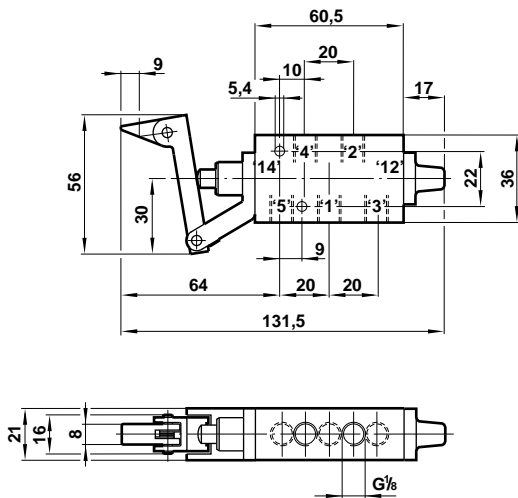
**X3 0467 02**  
**G<sup>1</sup>/<sub>8</sub> 5/2 Roller Lever Actuated Pilot Return Valve**



Operating Force: 9N, '12' at zero bar  
Reset Pressure: 2 bar minimum  
Operating Travel: 8 mm; Over-travel: 3mm  
Cam Angle of Approach: 45° maximum  
Cam Speed: 8 m/min. maximum  
Operating Speed: 300 cpm

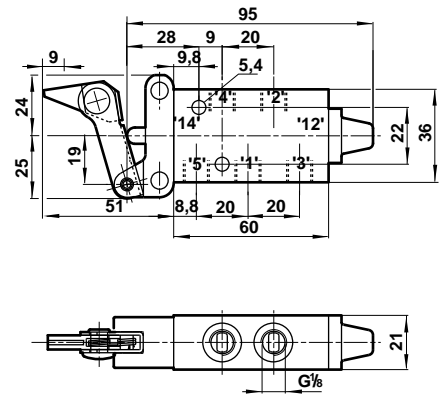


**X3 0450 02**  
**G<sup>1</sup>/<sub>8</sub> 5/2 One-way Trip Actuated Spring**  
**Return Valve**



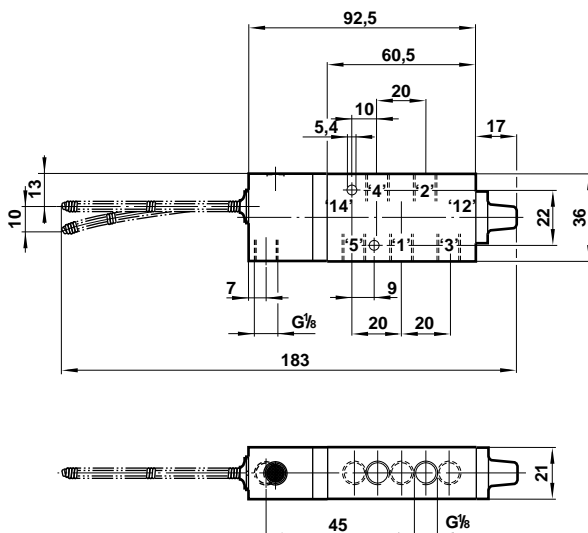
Operating Force: 31N  
 Cam Rise: 9mm  
 Cam Angle of Approach: 90° maximum  
 Cam Speed: 2 m/min. maximum  
 Operating Speed: 120 cpm

**X3 0394 02**  
**G<sup>1</sup>/<sub>8</sub> 5/2 Heavy Duty One Way Trip Actuated**  
**Spring Valve**



Operating Force: 31N  
 Cam Rise: 9mm  
 Cam Angle of Approach: 90° maximum  
 Cam Speed: 2 m/min. maximum  
 Operating Speed: 120 cpm

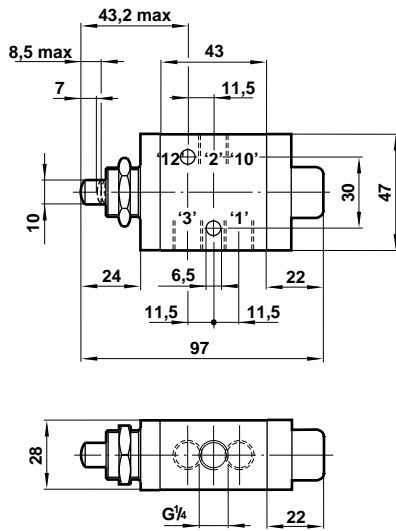
**X3 0472 02**  
**G<sup>1</sup>/<sub>8</sub> 5/2 Antenna Actuated Spring Return Valve**



Operating Force: 0,3N at tip  
 Constant Pilot Supply: 3 bar minimum  
 Operating Movement: 10 mm minimum in any direction

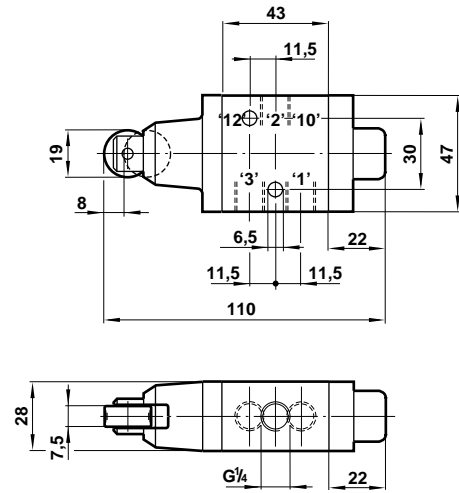


**03 0600 02**  
**G<sup>1/4</sup> 3/2 Plunger Actuated Spring Return Valve**



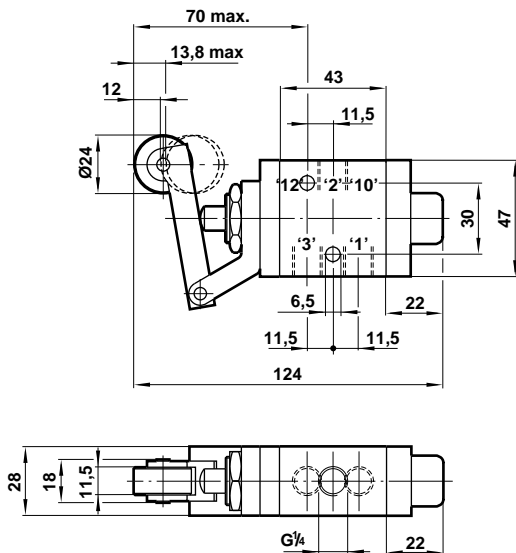
Operating Force: 53N  
The plunger on this valve is designed for axial loading only.

**03 0602 02**  
**G<sup>1/4</sup> 3/2 Roller Actuated Spring Return Valve**



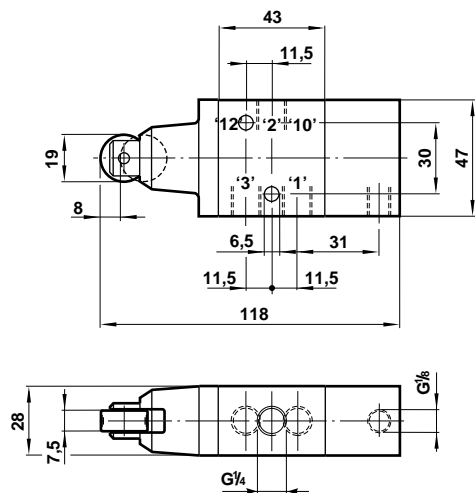
Operating Force: 61N  
Cam Angle of Approach: 45° maximum  
Cam Speed: 6 m/min. maximum  
Operating Speed: 200 cpm

**03 0611 02**  
**G<sup>1/4</sup> 3/2 Roller Lever Actuated Spring Return Valve**



Operating Force: 45N  
Cam Angle of Approach: 45° maximum  
Cam Speed: 5 m/min. maximum  
Operating Speed: 150 cpm

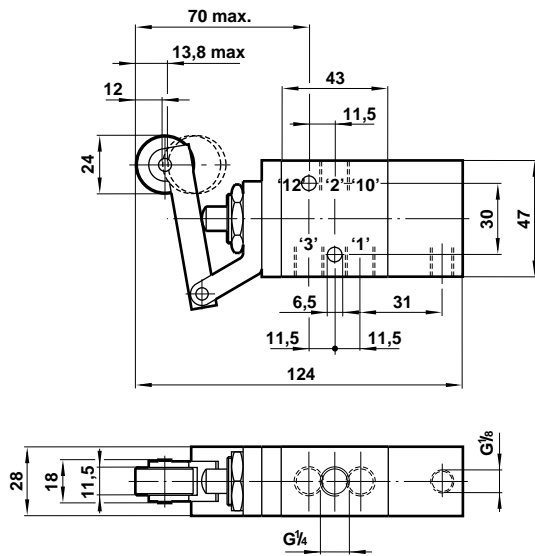
**03 0609 02**  
**G<sup>1/4</sup> 3/2 Roller Actuated Pilot Return Valve**



Operating Force: 13N, '10' at zero bar  
Reset Pressure: 2 bar minimum  
Cam Angle of Approach: 45° maximum  
Cam Speed: 6 m/min. maximum  
Operating Speed: 200 cpm



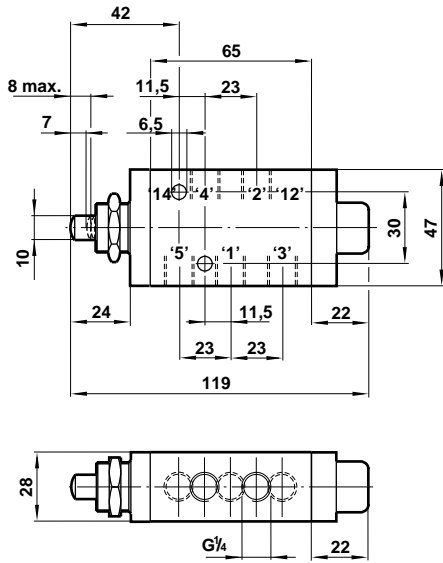
03 0624 02

G<sup>1/4</sup> 3/2 Roller Lever Actuated Pilot Return Valve

Operating Force: 9N, '10' at zero bar  
Reset Pressure: 2 bar minimum  
Cam Angle of Approach: 45° maximum  
Cam Speed: 5 m/min. maximum  
Operating Speed: 150 cpm

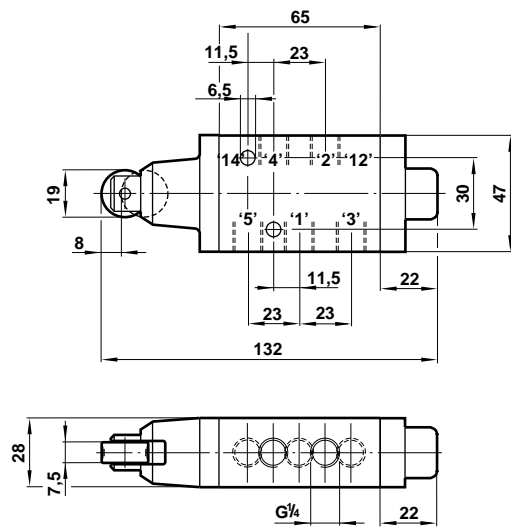


**X3 0640 02**  
**G<sup>1</sup>/<sub>4</sub> 5/2 Plunger Actuated Spring Return Valve**



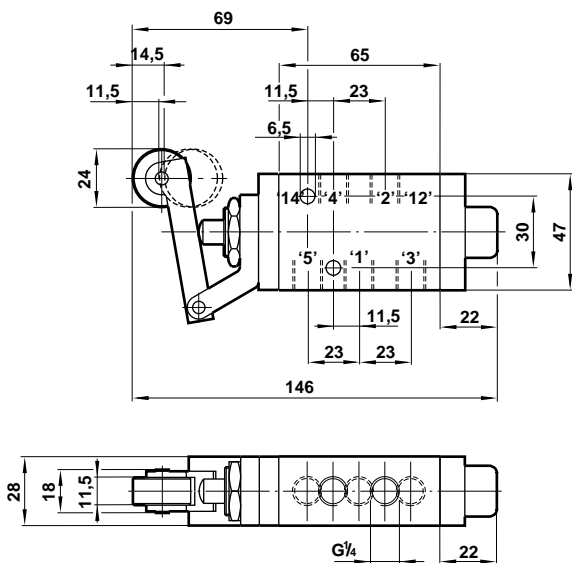
Operating Force: 62N  
The plunger on this valve is designed for axial loading only.

**X3 0642 02**  
**G<sup>1</sup>/<sub>4</sub> 5/2 Roller Actuated Spring Return Valve**



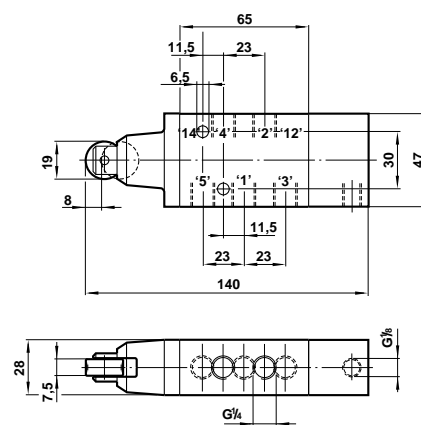
Operating Force: 67N  
Cam Angle of Approach: 45° maximum  
Cam Speed: 6 m/min. maximum  
Operating Speed: 200 cpm

**X3 0651 02**  
**G<sup>1</sup>/<sub>4</sub> 5/2 Roller Lever Actuated Spring Return Valve**



Operating Force: 45N  
Cam Angle of Approach: 45° maximum  
Cam Speed: 5 m/min. maximum  
Operating Speed: 150 cpm

**X3 0649 02**  
**G<sup>1</sup>/<sub>4</sub> 5/2 Roller Actuated Pilot Return Valve**



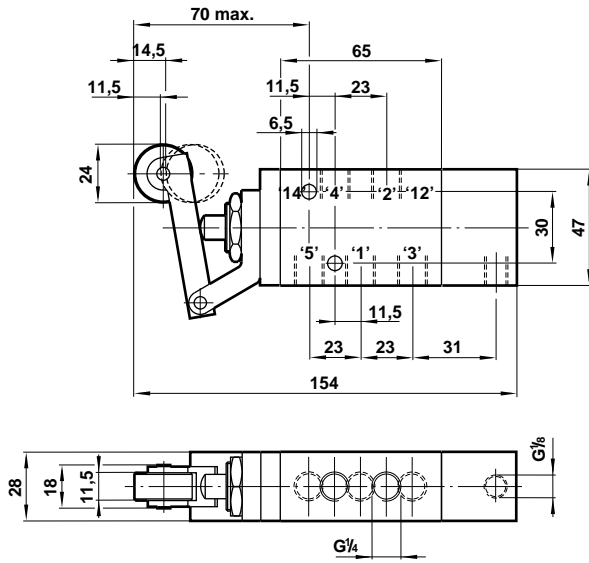
Operating Force: 13N, '12' at zero bar  
Reset Pressure: 2 bar minimum  
Cam Angle of Approach: 45° maximum  
Cam Speed: 6 m/min. maximum  
Operating Speed: 200 cpm





X3 0664 02

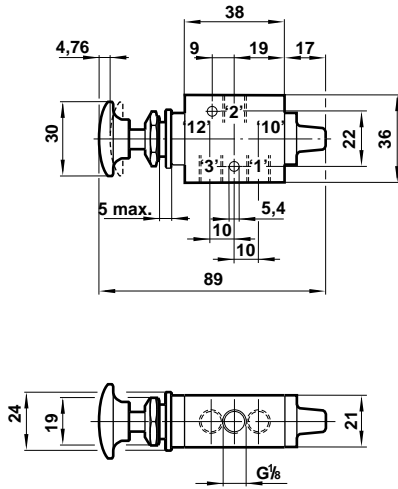
G<sup>1/4</sup> 5/2 Roller Lever Actuated Pilot Return Valve



Operating Force: 9N, '12' at zero bar  
 Reset Pressure: 2 bar minimum  
 Cam Angle of Approach: 45° maximum  
 Cam Speed: 5 m/min. maximum  
 Operating Speed: 150 cpm Man G1/8-5/2

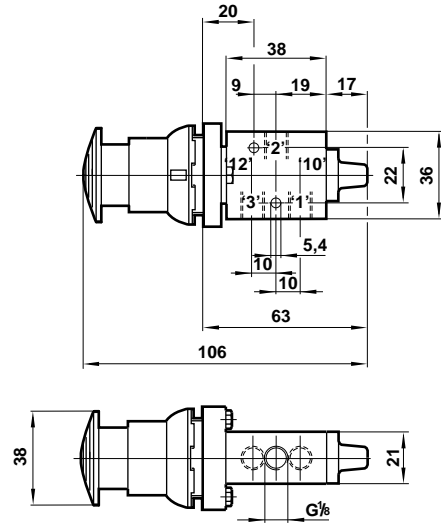


**03 0404 02, 03 0405 02, 03 0406 02 Models**  
**G<sup>1</sup>/<sub>8</sub> 3/2 Button Operated Spring Return Valves**



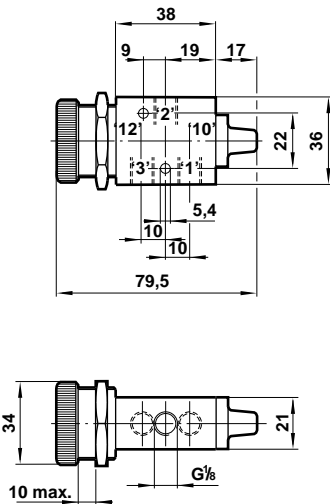
Operating Force: 31N  
These valves are suitable for panel mounting by means of an optional nut and washer, reference 03 0430 00; a shrouded panel mounting kit is also available, reference 03 0429 00.  
Panel Hole: Ø15 mm; Panel Thickness: 5 mm maximum

**03 0366 02, 03 0367 02, 03 0368 02 Models**  
**G<sup>1</sup>/<sub>8</sub> 3/2 Button (Palm) Operated Spring Return Valves**



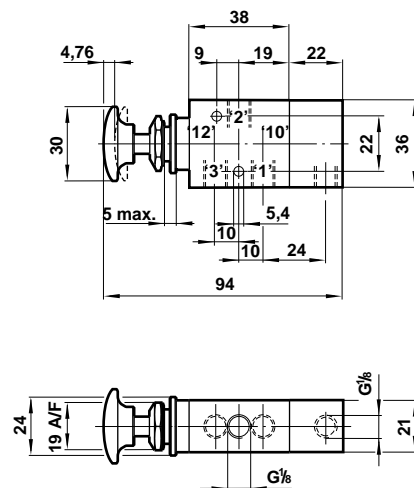
Operating Force: 31N  
These valves are suitable for panel mounting.  
Panel Hole: Ø32,1 mm; Panel Thickness: 6 mm maximum

**03 0414 02, 03 0415 02, 03 0416 02 Models**  
**G<sup>1</sup>/<sub>8</sub> 3/2 Button (Shrouded) Operated Spring Return Valves**



Operating Force: 31N  
These valves are suitable for panel mounting.  
Panel Hole: Ø31 mm; Panel Thickness: 10mm maximum

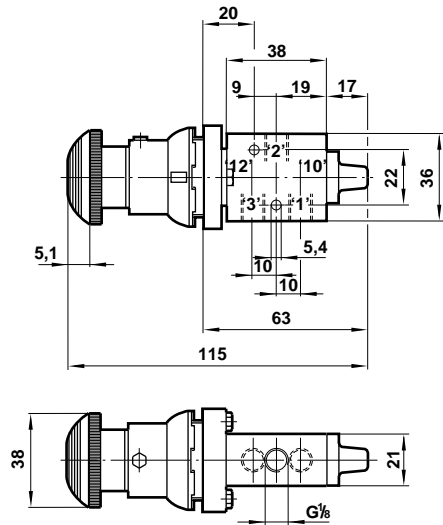
**03 0408 02, 03 0420 02, 03 0421 02 Models**  
**G<sup>1</sup>/<sub>8</sub> 3/2 Button Operated Pilot Return Valve**



Operating Force: 18N, pilot port '10' at zero bar  
Reset Pressure: 2 bar minimum  
These valves are suitable for panel mounting by means of an optional nut and washer, reference 03 0430 00; a shrouded panel mounting kit is also available, reference 03 0429 00.  
Panel Hole: Ø15 mm; Panel Thickness: 5 mm maximum

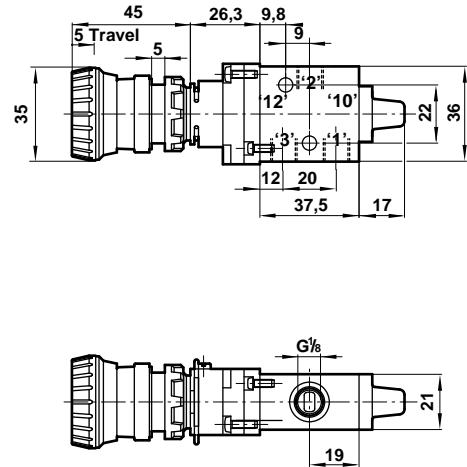


**03 0428 02**  
**G<sup>1</sup>/<sub>8</sub> 3/2 Palm Button Operated, Twist Return Valve**  
**(Emergency Stop)**



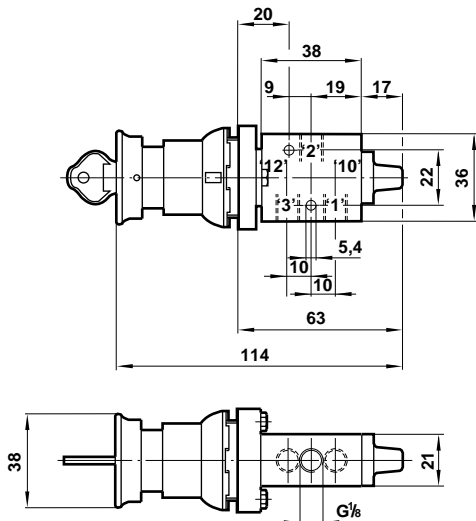
Operating Force: 18N  
 Valve latches when button is depressed and returns when the locking ring is rotated anti-clockwise.  
 This valve is suitable for panel mounting.  
 Panel Hole: 32,1 mm; Panel Thickness: 8 mm maximum

**03 0297 02**  
**G<sup>1</sup>/<sub>8</sub> 3/2 Button (Palm) Operated Spring Return Valve**



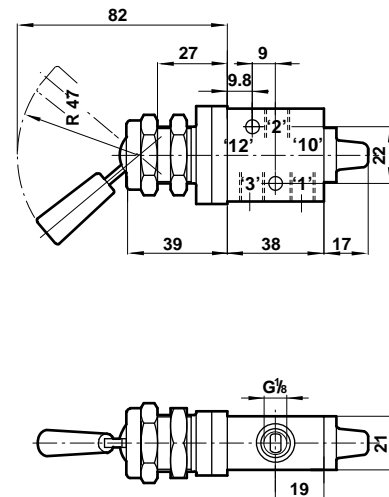
Operating Force: 70N (Return Torque: 6,8Nm)  
 This valve is suitable for panel mounting.  
 Panel Hole: 22,5 mm; Panel Thickness: 8 mm maximum

**03 0335 02**  
**G<sup>1</sup>/<sub>8</sub> 3/2 Button (Palm) Operated Key Return Valve**



Operating Force: 31N  
 Valve latches when button is depressed. To reset, turn key. This valve is suitable for panel mounting.  
 Panel Hole: 32,1; Panel Thickness: 6mm maximum

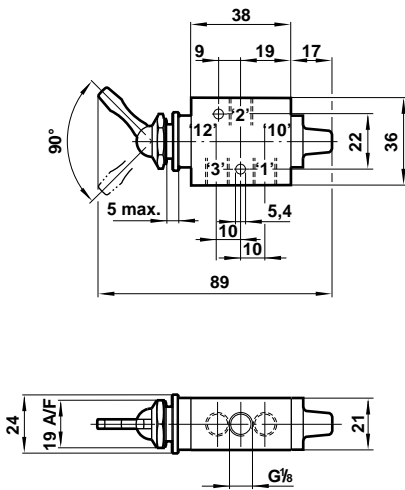
**03 0296 02**  
**G<sup>1</sup>/<sub>8</sub> 3/2 Lever Operated Lever Return Valve**



Operating Force: 13N  
 This valve is suitable for panel mounting.  
 Panel Hole: 22,5 mm; Panel Thickness: 6 mm maximum

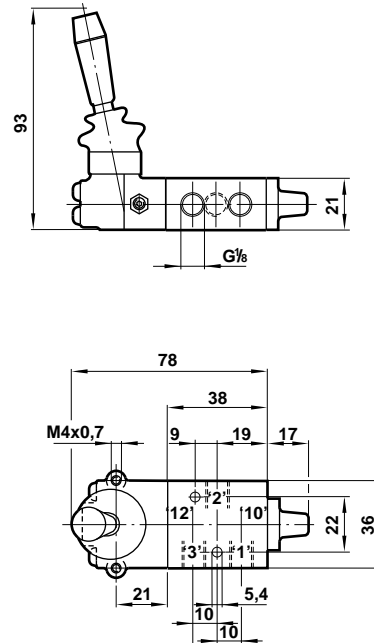


**03 0403 02**  
**G<sup>1</sup>/<sub>8</sub> 3/2 Lever Operated Spring Return Valve**



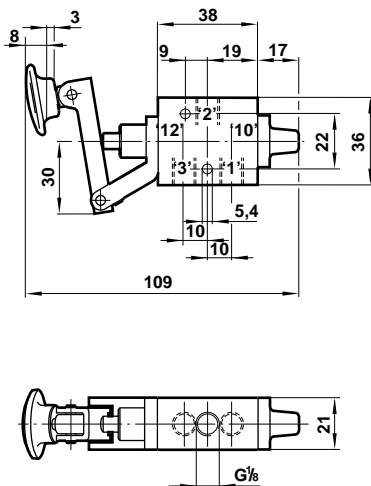
Operating Force: 28N  
This valve is suitable for panel mounting. A fingertip extension is available for this valve, reference 07 0033 01.  
Panel Hole: Ø15 mm; Panel Thickness: 5 mm maximum

**03 0438 02 & 03 0437 02 Models**  
**G<sup>1</sup>/<sub>8</sub> 3/2 Lever Operated Spring Return Valves**



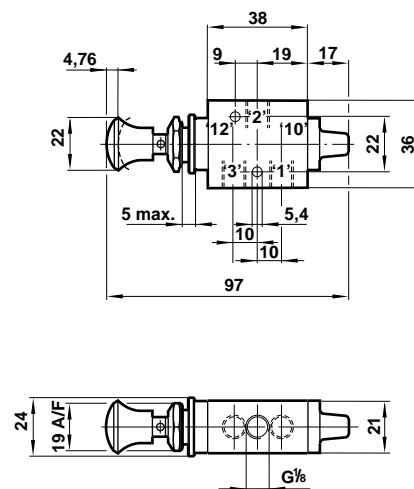
Operating Force: 9N  
Model 03 0437 02 features a positive detent in each position and is suitable for panel mounting by means of a bezel kit, reference 03 3437 64.  
Panel Hole: Ø24 mm  
Panel Thickness: 8 mm maximum

**03 0426 02**  
**G<sup>1</sup>/<sub>8</sub> 3/2 Lever Operated Spring Return Valve**



Operating Force: 18N  
Panel Hole: Ø24 mm; Panel Thickness: 8 mm maximum

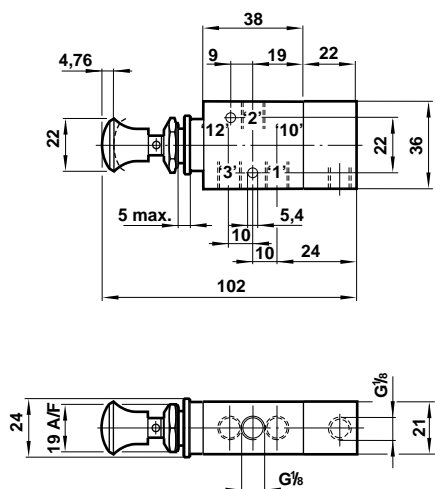
**03 0425 02**  
**G<sup>1</sup>/<sub>8</sub> 3/2 Knob Operated Knob Return Valve**



Operating Force: 18N  
This valve is suitable for panel mounting by means of an optional nut and washer, reference 03 0430 00.  
Panel Hole: Ø15 mm; Panel Thickness: 5 mm maximum

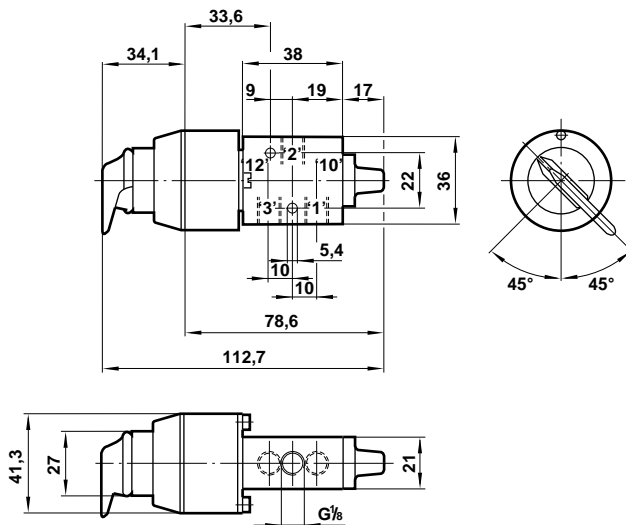


**03 0424 02**  
**G<sup>1</sup>/<sub>8</sub> 3/2 Knob Operated, Knob or Pilot Return Valve**



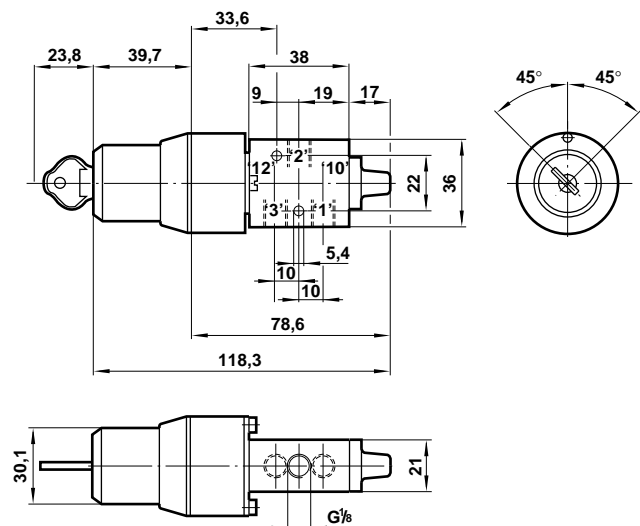
Operating Force: 18N  
 Reset Pressure: 2 bar minimum  
 This valve is suitable for panel mounting by means of an optional nut and washer, reference 03 0430 00.  
 Panel Hole: Ø15 mm; Panel Thickness: 5 mm maximum

**03 0419 02**  
**G<sup>1</sup>/<sub>8</sub> 3/2 Rotary Knob Operated Rotary Knob Return Valve**



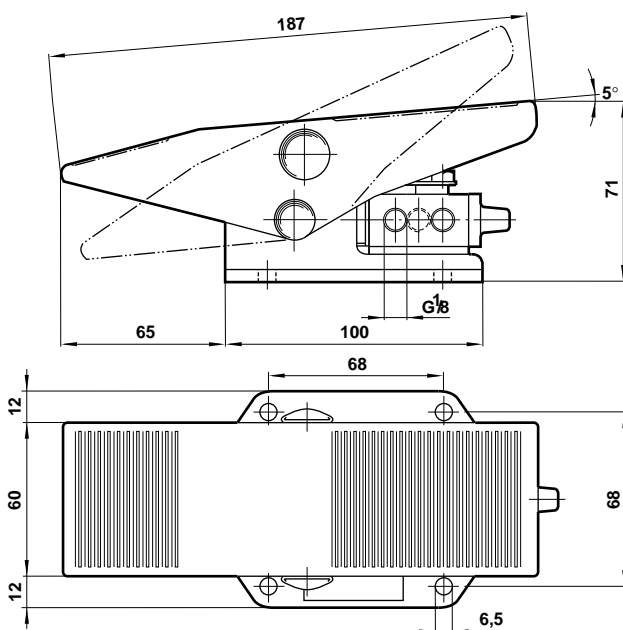
Switch shown in non-operated position  
 This valve is suitable for panel mounting.  
 Panel Hole: Ø32,1; Panel Thickness: 6mm maximum

**03 0418 02 801**  
**G<sup>1</sup>/<sub>8</sub> 3/2 Key Operated Key Return Valve**



The key is removable in both positions. Key slot shown in non-operated position. Two keys are supplied.  
 This valve is suitable for panel mounting.  
 Panel Hole: Ø32,1 mm  
 Panel Thickness: 6 mm maximum

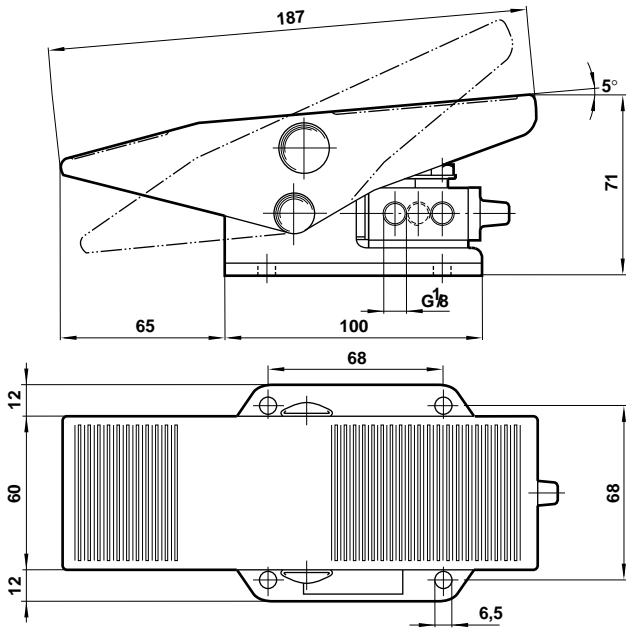
**03 0481 02**  
**G<sup>1</sup>/<sub>8</sub> 3/2 Pedal Operated Spring Return Valve**



Operating Force: 22N  
 A foot guard is available for this valve, reference 03 0480 60.

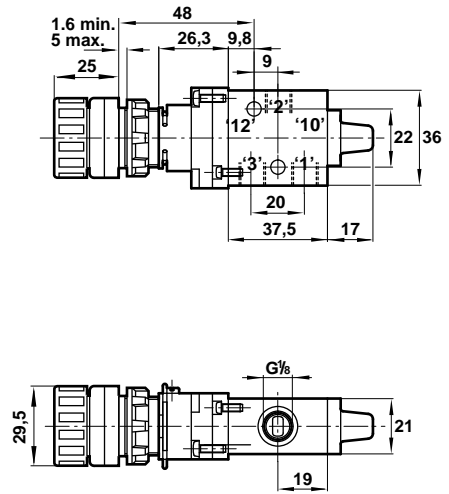


**03 0483 02**  
**G<sup>1</sup>/<sub>8</sub> 3/2 Pedal Operated Pedal Return Valve**



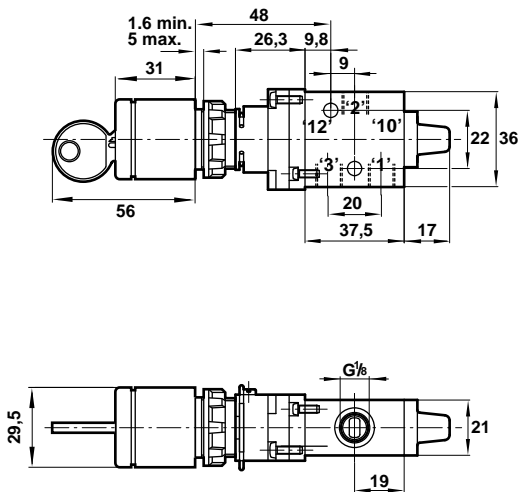
Operating Force: 22N  
A foot guard is available for this valve,  
reference 03 0480 60.

**03 0261 02**  
**G<sup>1</sup>/<sub>8</sub> 3/2 Electrical Style Rotary Knob Operator,  
Rotary Knob Return Valve**



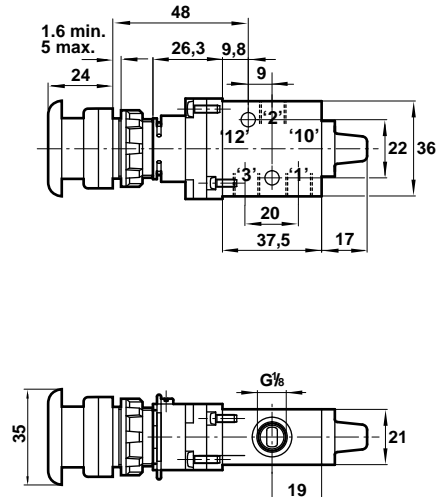
Operating Torque: 6,8Nm  
Panel Hole: Ø 22,5 mm  
Panel Thickness: 5 mm maximum

**03 0262 02**  
**G<sup>1</sup>/<sub>8</sub> 3/2 Electrical Style Key Operator,  
Key Return Valve**



Operating Force: 6,8Nm  
Panel Hole: Ø 22,5 mm  
Panel Thickness: 5 mm maximum

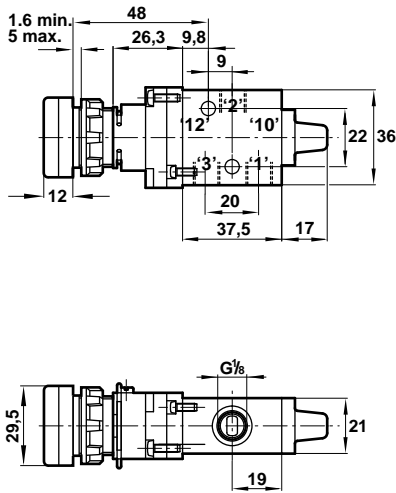
**03 0263 02, 03 0264 02, 03 0265 02**  
**G<sup>1</sup>/<sub>8</sub> 3/2 Electrical Style Push Button (Mushroom)  
Operator Spring Return Valve**



Operating Force: 50N  
Panel Hole: Ø 22,5 mm  
Panel Thickness: 5 mm maximum

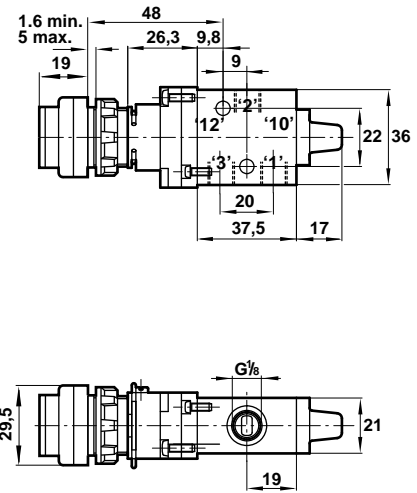


**03 0266 02, 03 0267 02, 03 0268 02**  
**G<sup>1/8</sup> 3/2 Electrical Style Push Button (Shrouded)**  
**Operator, Spring Return Valve**



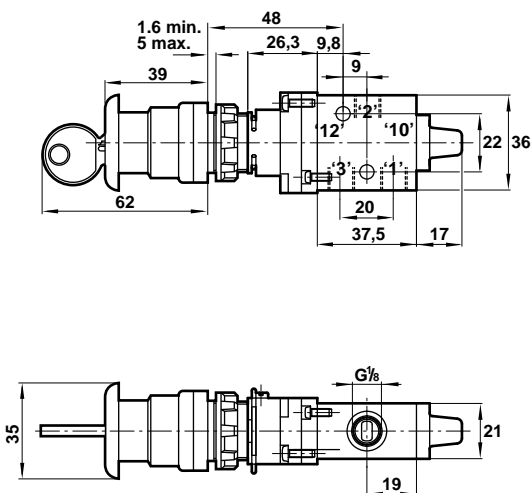
Operating Force: 50N  
 Panel Hole: Ø 22,5 mm  
 Panel Thickness: 5 mm maximum

**03 0269 02, 03 0270 02, 03 0271 02**  
**G<sup>1/8</sup> 3/2 Electrical Style Push Button (Extended)**  
**Operator, Spring Return Valve**



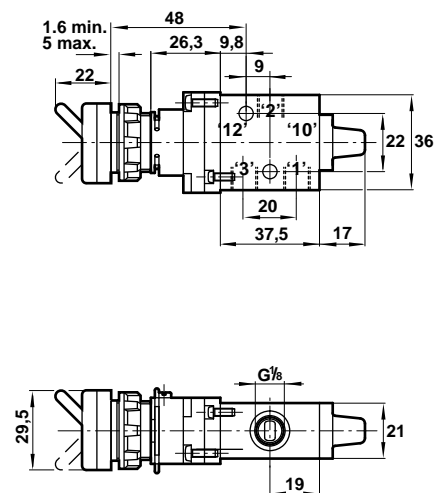
Operating Force: 50N  
 Panel Hole: Ø 22,5 mm  
 Panel Thickness: 5 mm maximum

**03 0272 02**  
**G<sup>1/8</sup> 3/2 Electrical Style Push Button Operator,**  
**Key Reset Valve**



Operating Force: 50N  
 Panel Hole: Ø 22,5 mm  
 Panel Thickness: 5 mm maximum

**03 0273 02**  
**G<sup>1/8</sup> 3/2 Electrical Style Switch Operator,**  
**Switch Return Valve**

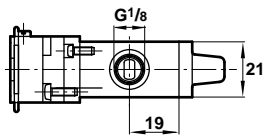
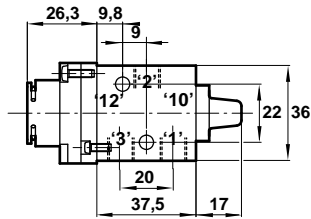


Operating Force: 40N  
 Panel Hole: Ø 22,5 mm  
 Panel Thickness: 5 mm maximum



03 0295 02

G<sup>1</sup>/<sub>8</sub> 3/2 Adapter Valve

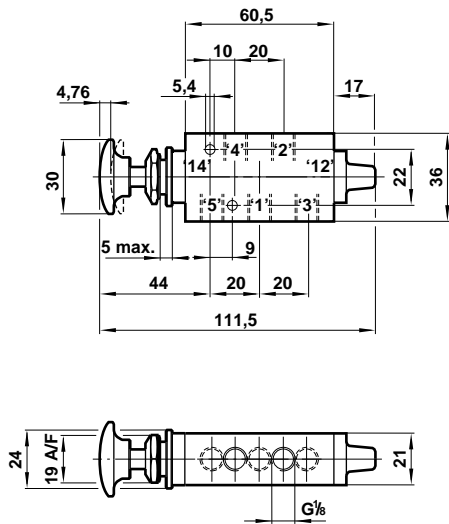


This valve is for use with standard electrical style Operating heads.  
For details see page 36.  
Operating Force (including Operator): see page xx  
Panel Hole: Ø22,5 mm  
Panel Thickness: 5 mm maximum



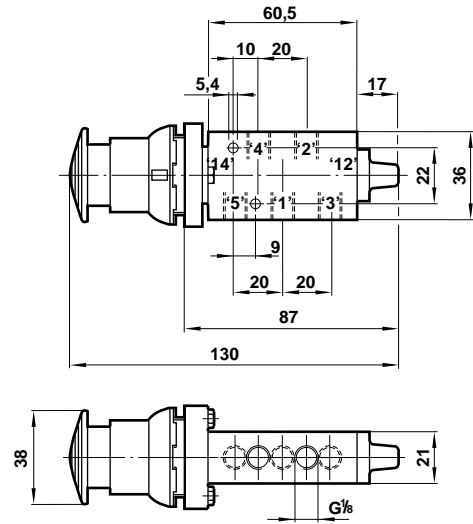


**X3 0444 02, X3 0445 02, X3 0446 02**  
**G<sup>1</sup>/<sub>8</sub> 5/2 Button (Palm) Operated Spring Return**  
**Valves**



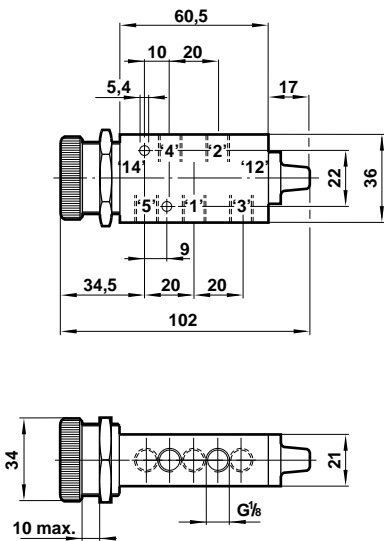
Operating Force: 54N  
 These valves are suitable for panel mounting by means of an optional nut and washer, reference 03 0430 00; a shrouded panel mounting kit is also available, reference 03 0429 00.  
 Panel Hole: Ø15 mm; Panel Thickness: 5mm maximum

**X3 0386 02, X3 0387 02, X3 0388 02**  
**G<sup>1</sup>/<sub>8</sub> 5/2 Button (Palm) Operated Spring Return**  
**Valves**



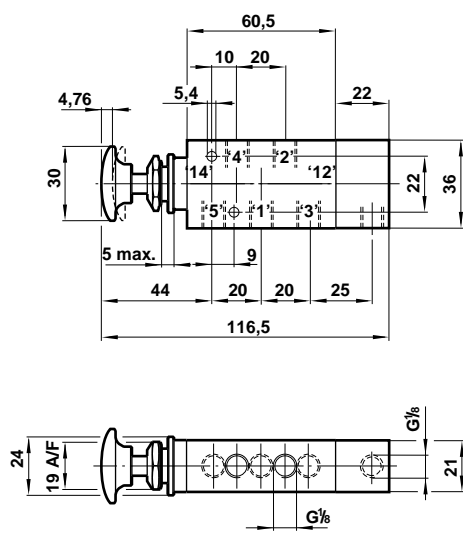
Operating Force: 31N  
 These valves are suitable for panel mounting.  
 Panel Hole: Ø32,1 mm  
 Panel Thickness: 6 mm maximum

**X3 0454 02, X3 0455 02, X3 0456 02**  
**G<sup>1</sup>/<sub>8</sub> 5/2 Button (Shrouded) Operated Spring**  
**Return Valves**



Operating Force: 54N  
 These valves are suitable for panel mounting.  
 Panel Hole: Ø31 mm  
 Panel Thickness: 10 mm maximum

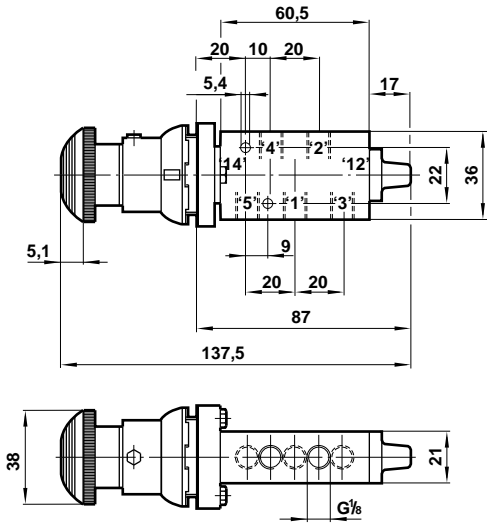
**X3 0448 02, X3 0460 02, X3 0461 02**  
**G<sup>1</sup>/<sub>8</sub> 5/2 Button (Palm) Operated Pilot Return**  
**Valves**



Operating Force: 22N, pilot port '12' at zero bar  
 Reset Pressure: 2 bar minimum  
 These valves are suitable for panel mounting by means of an optional nut and washer, reference 03 0430 00; a shrouded panel mounting kit is also available, reference 03 0429 00.  
 Panel Hole: Ø15 mm; Panel Thickness: 5 mm maximum

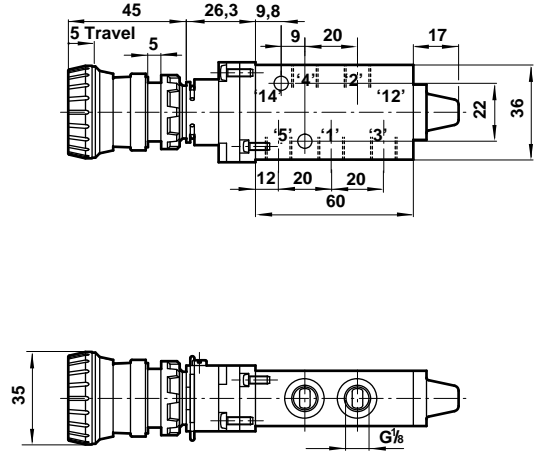


**X3 0468 02**  
**G<sup>1</sup>/<sub>8</sub> 5/2 Button (Palm) Operated Twist Return Valve (Emergency Stop)**



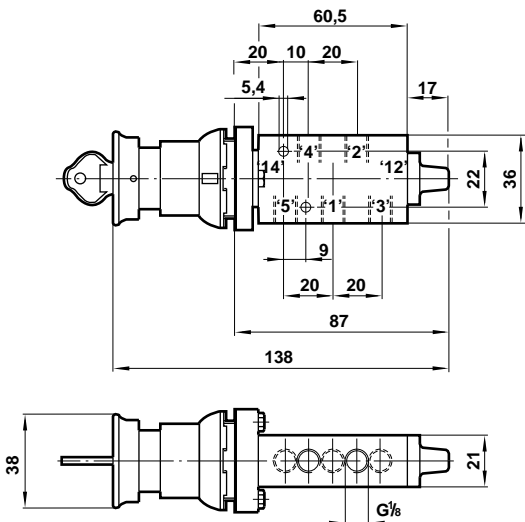
Operating Force: 18N  
Valve latches when button is depressed and returns when the locking ring is rotated anti-clockwise.  
This valve is suitable for panel mounting.  
Panel Hole: Ø32,1; Panel thickness: 8mm maximum

**X3 0297 02**  
**G<sup>1</sup>/<sub>8</sub> 5/2 Button (Palm) Operated Spring Return Valve (Emergency Stop)**



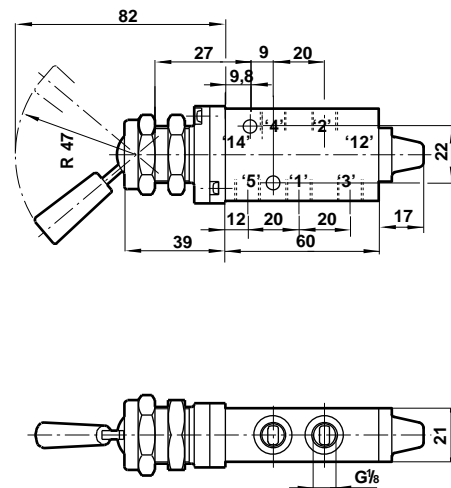
Operating Force: 70N (Return Torque: 6,8Nm)  
This valve is suitable for panel mounting.  
Panel Hole: 22,5 mm; Panel Thickness: 8 mm maximum

**X3 0375 02**  
**G<sup>1</sup>/<sub>8</sub> 5/2 Button (Palm) Operated Key Return Valve**



Operating Force: 54N  
Valve latches when button is depressed. To reset, turn key. This valve is suitable for panel mounting.  
Panel Hole: Ø32,1 mm  
Panel Thickness: 6 mm maximum

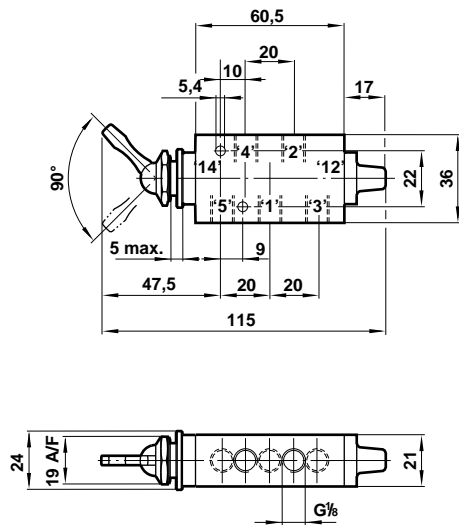
**X3 0296 02**  
**G<sup>1</sup>/<sub>8</sub> 5/2 Lever Operated Lever Return Valve**



Operating Force: 13N  
This valve is suitable for panel mounting.  
Panel Hole: 22,5 mm; Panel Thickness: 6 mm maximum

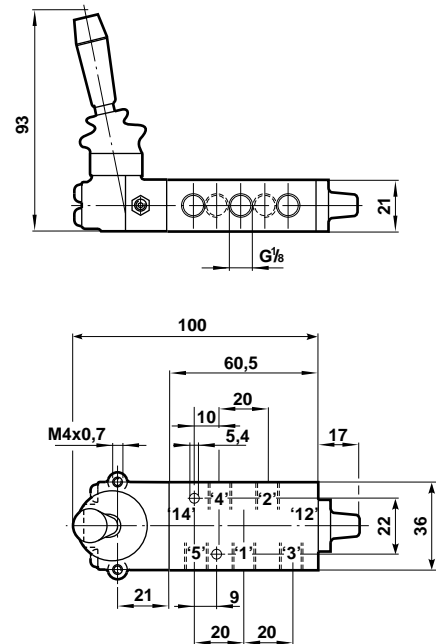


**X3 0443 02**  
**G<sup>1</sup>/<sub>8</sub> 5/2 Lever Operated Spring Return Valve**



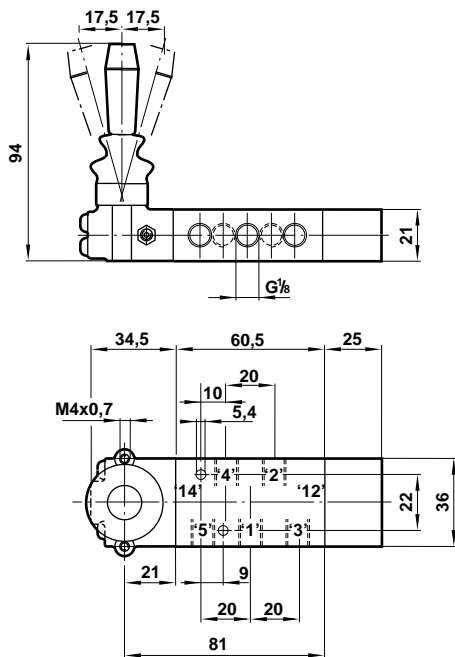
Operating Force: 48N  
 This valve is suitable for panel mounting. A fingertip extension is available for use on this valve, reference 07 0033 01.  
 Panel Hole: Ø15 mm; Panel thickness: 5 mm maximum

**X3 0478 02, X3 0477 02**  
**G<sup>1</sup>/<sub>8</sub> 5/2 Lever Operated Valves**



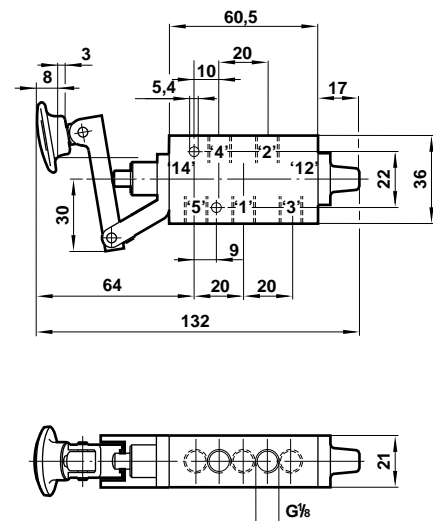
Operating Force: X3 0478 02 = 16N  
 X3 0477 02 = 13N  
 Both models are suitable for panel mounting by means of a bezel kit, reference 03 3437 64.  
 Panel Hole: Ø24 mm; Panel Thickness: 8 mm maximum

**X3 3438 02, X3 3478 02, X3 3437 02, X3 3477 02**  
**G<sup>1</sup>/<sub>8</sub> 5/2 Three Position Lever Operated Valves**



Operating Force: X3 3438 02 and X3 3478 02 = 15N  
 X3 3437 02 and X3 3477 02 = 12N  
 All models are suitable for panel mounting, by means of a bezel kit, reference 03 3437 64.  
 Panel Hole: Ø24 mm; Panel Thickness: 8mm maximum

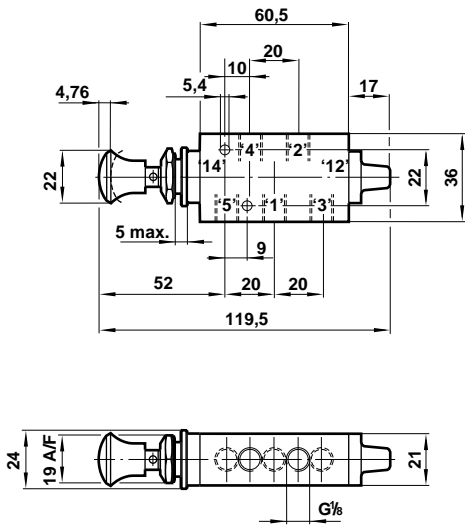
**X3 0466 02**  
**G<sup>1</sup>/<sub>8</sub> 5/2 Lever Operated Spring Return Valve**



Operating Force: 31N

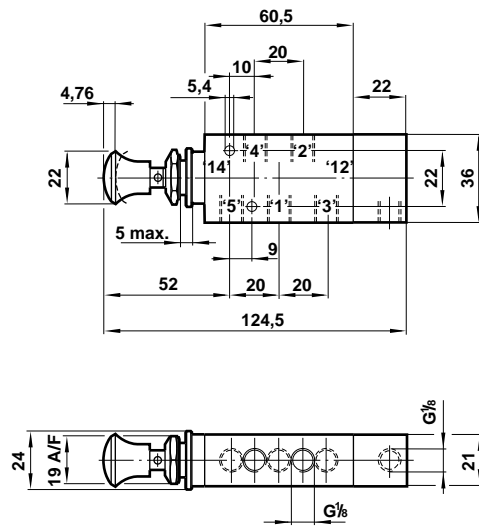


**X3 0465 02**  
**G<sup>1</sup>/<sub>8</sub> 5/2 Knob Operated Knob Return Valve**



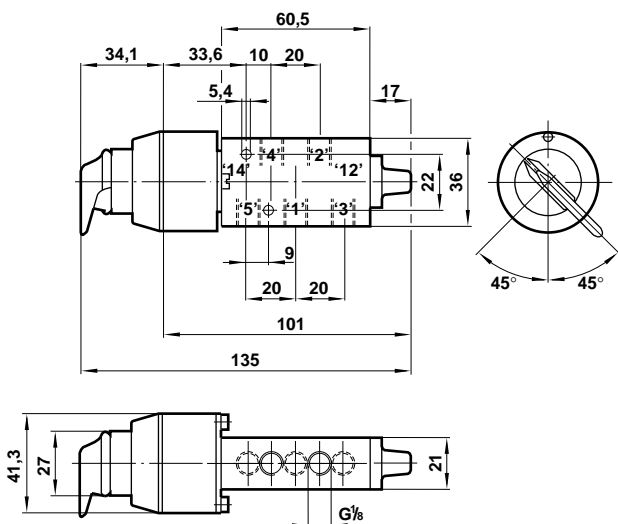
Operating Force: 22N  
This valve is suitable for panel mounting by means of an optional nut and washer, reference 03 0430 00.  
Panel Hole: Ø15 mm  
Panel thickness: 5mm maximum

**X3 0464 02**  
**G<sup>1</sup>/<sub>8</sub> 5/2 Knob Operated, Knob or Pilot Return Valve**



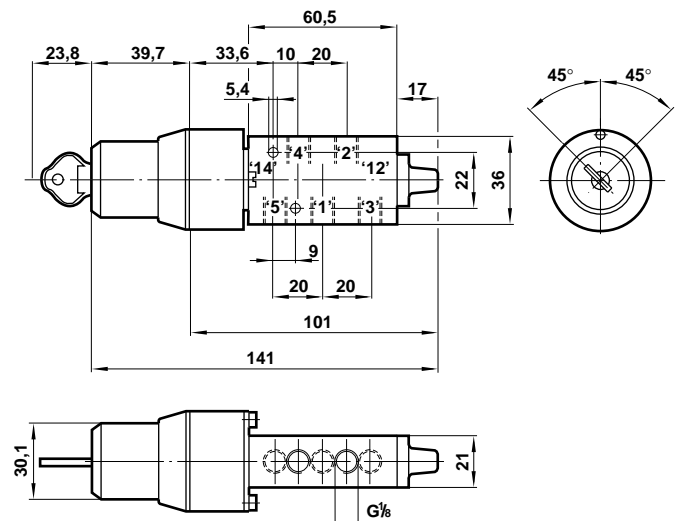
Operating Force: 22N  
Reset Pressure: 2 bar minimum  
This valve is suitable for panel mounting by means of an optional nut and washer, reference 03 0430 00.  
Panel Hole: Ø15 mm  
Panel thickness: 5mm maximum

**X3 0459 02**  
**G<sup>1</sup>/<sub>8</sub> 5/2 Rotary Knob Operated Knob Return Valve**



Switch shown in non-operated position.  
This valve is suitable for panel mounting.  
Panel Hole: Ø32 mm; Panel Thickness: 6 mm maximum

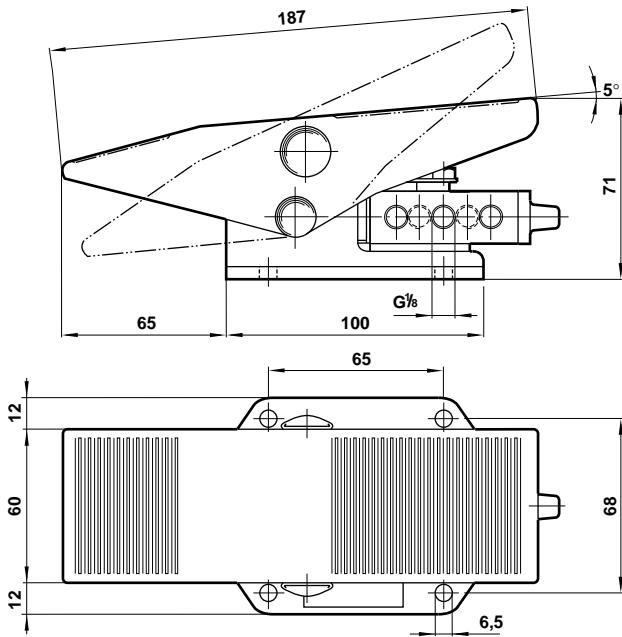
**03 0458 02 801**  
**G<sup>1</sup>/<sub>8</sub> 5/2 Key Operated Key Return Valve**



The key is removable in both positions. Key slot shown in non-operated position. Two keys are supplied.  
This valve is suitable for panel mounting.  
Panel Hole: Ø32 mm; Panel Thickness: 6 mm maximum

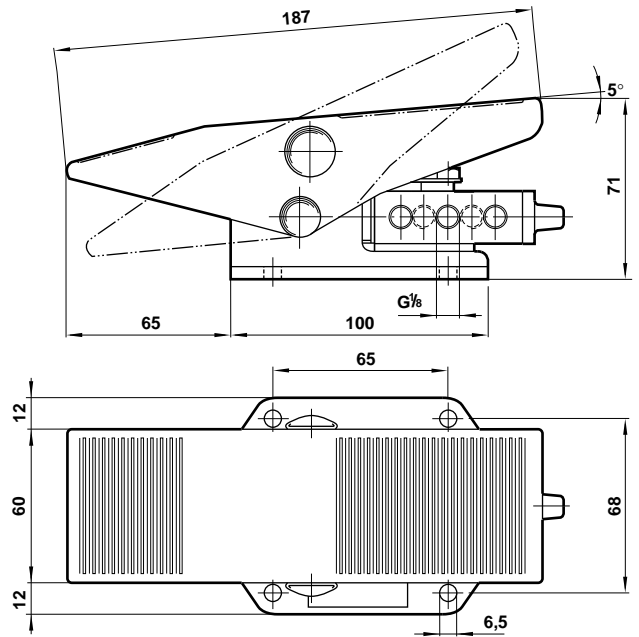


**X3 0482 02**  
**G<sup>1</sup>/<sub>8</sub> 5/2 Pedal Operated Spring Return Valve**



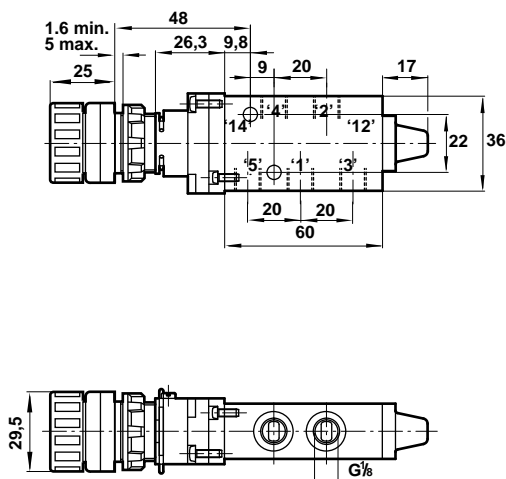
Operating Force: 22N  
 A foot guard is available for this valve, reference  
 03 0480 60.

**X3 0484 02**  
**G<sup>1</sup>/<sub>8</sub> 5/2 Pedal Operated Pedal Return Valve**



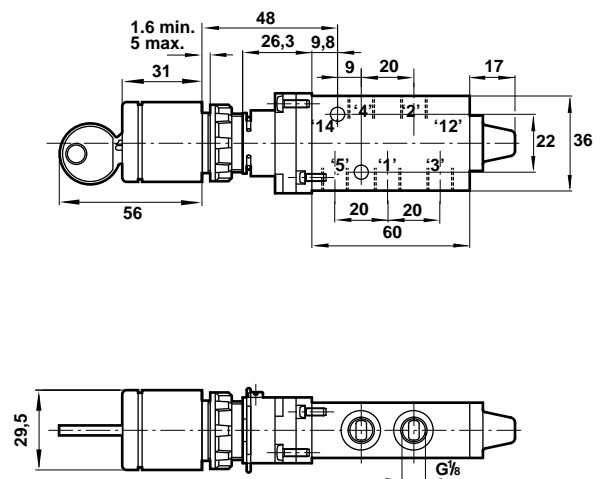
Operating Force: 22N  
 A foot guard is available for this valve, reference  
 03 0480 60.

**X3 0261 02**  
**G<sup>1</sup>/<sub>8</sub> 5/2 Electrical Style Rotary Knob Operator,  
 Rotary Knob Return Valve**



Operating Torque: 6,8Nm  
 Panel Hole: Ø22,5 mm  
 Panel Thickness: 5 mm maximum

**X3 0262 02**  
**G<sup>1</sup>/<sub>8</sub> 5/2 Electrical Style  
 Rotary Key Operator, Key Return Valve**

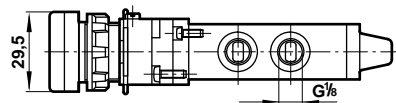
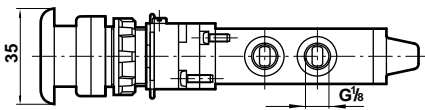
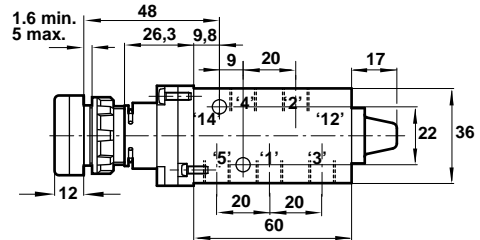
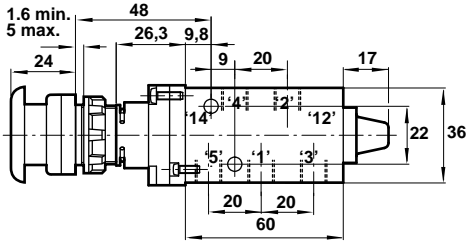


Operating Torque: 6,8Nm  
 Panel Hole: Ø22,5 mm  
 Panel Thickness: 5 mm maximum



**X3 0263 02, X3 0264 02, X3 0265 02**  
**G<sup>1</sup>/<sub>8</sub> 5/2 Electrical Style Push Button (Mushroom)**  
**Operator Spring Return Valve**

**X3 0266 02, X3 0267 02, X3 0268 02**  
**G<sup>1</sup>/<sub>8</sub> 5/2 Electrical Style Push Button (Shrouded)**  
**Operator Spring Return Valve**

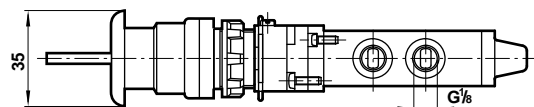
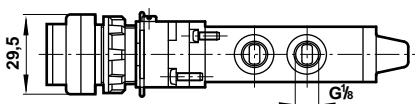
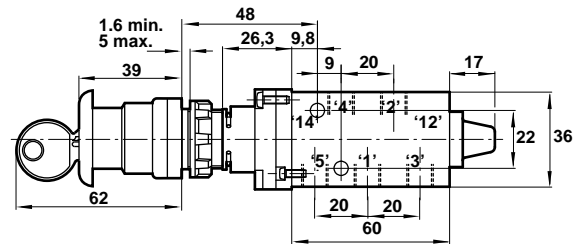
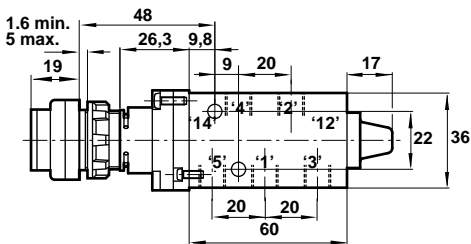


Operating Force: 50N  
Panel Hole: Ø22,5 mm  
Panel Thickness: 5 mm maximum

Operating Force: 50N  
Panel Hole: Ø22,5 mm  
Panel Thickness: 5 mm maximum

**X3 0269 02, X3 0270 02, X3 0271 02**  
**G<sup>1</sup>/<sub>8</sub> 5/2 Electrical Style Push Button (Extended)**  
**Spring Return Valve**

**X0 0272 02**  
**G<sup>1</sup>/<sub>8</sub> 5/2 Electrical Style**  
**Button Operator Key Reset Valve**

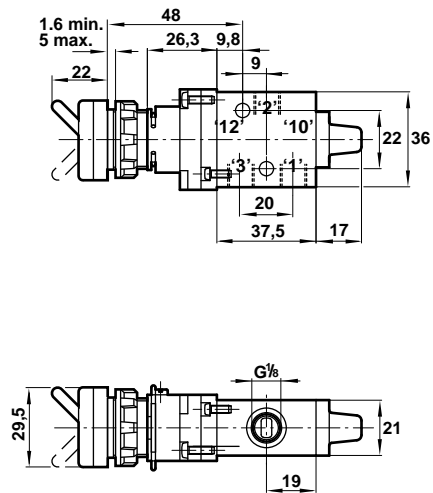


Operating Force: 50N  
Panel Hole: Ø22,5 mm  
Panel Thickness: 5 mm maximum

Operating Force: 50N  
Panel Hole: Ø22,5 mm  
Panel Thickness: 5 mm maximum

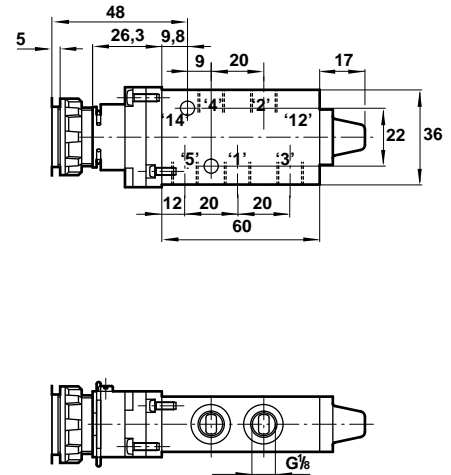


**X3 0273 02**  
**G<sup>1</sup>/<sub>8</sub> 5/2 Electrical Style**  
**Switch Operator Switch Return Valve**



Operating Force: 40N  
 Panel Hole: Ø22,5 mm  
 Panel Thickness: 5 mm maximum

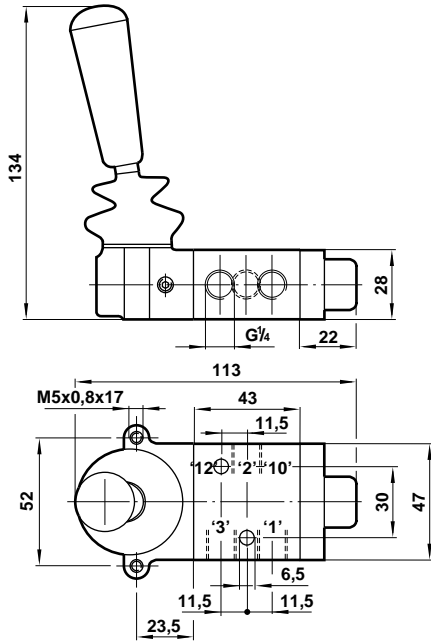
**X3 0395 02**  
**G<sup>1</sup>/<sub>8</sub> 5/2 Adapter Valve**



This valve is for use with standard Operating Heads. For details see page 5.4.081.28.  
 Operating Force (Including Operator): see page 5.4.081.28.  
 Panel Hole: Ø22,5 mm; Panel thickness: 5 mm maximum

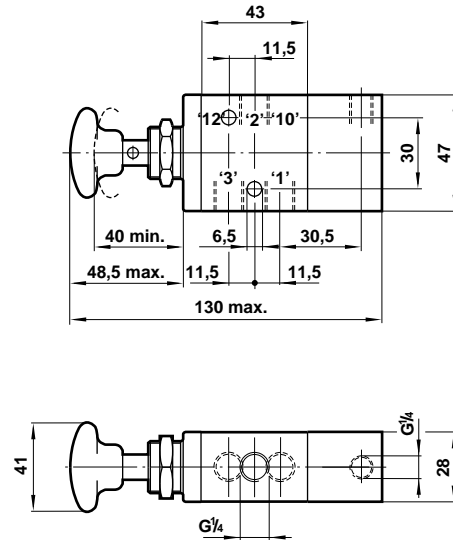


**03 0638 02, 03 0637 02**  
**G<sup>1/4</sup> 3/2 Lever Operated Valves**



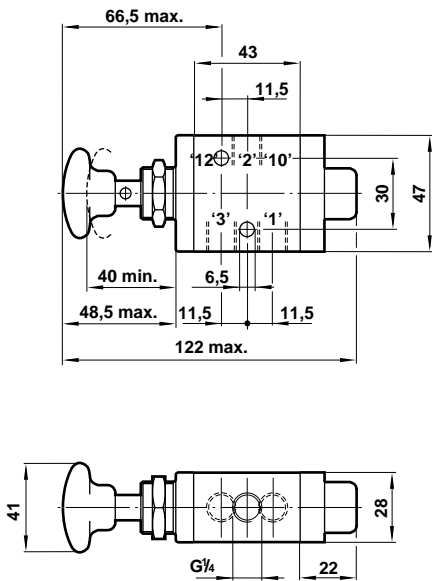
Operating Force: 03 0638 02 = 15N  
03 0637 02 = 13N  
Model 03 0637 02 features a positive detent in each position.  
Both Models are suitable for panel mounting by means of a bezel kit, reference 03 3637 64.  
Panel Hole: Ø31 mm;  
Panel Thickness: 8 mm maximum

**03 0608 02**  
**G<sup>1/4</sup> 3/2 Button Operated Pilot Return Valve**



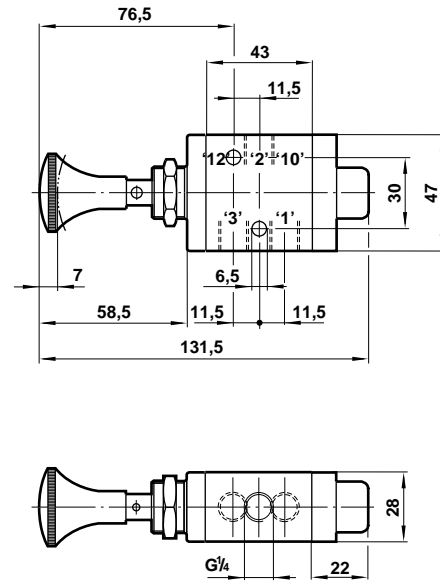
Operating Force: 13N, pilot port '10' at zero bar  
Reset Pressure: 2 bar minimum  
This valve is suitable for panel mounting and includes a nut and washer.  
Panel Hole: Ø21 mm; Panel thickness: 8mm maximum

**03 0604 02**  
**G<sup>1/4</sup> 3/2 Button Operated Spring Return Valve**



Operating Force: 53N  
This valve is suitable for panel mounting and includes a nut and washer.  
Panel Hole: Ø21 mm; Panel Thickness: 8 mm maximum

**03 0625 02**  
**G<sup>1/4</sup> 3/2 Knob Operated Knob Return Valve**

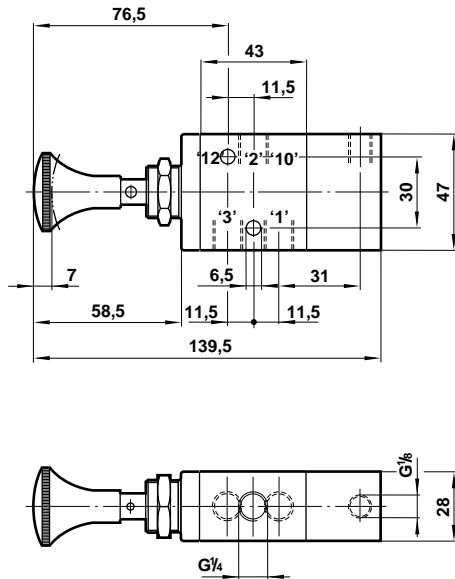


Operating Force: 13N  
This valve is suitable for panel mounting and includes a nut and washer.  
Panel Hole: Ø21 mm; Panel Thickness: 8 mm maximum



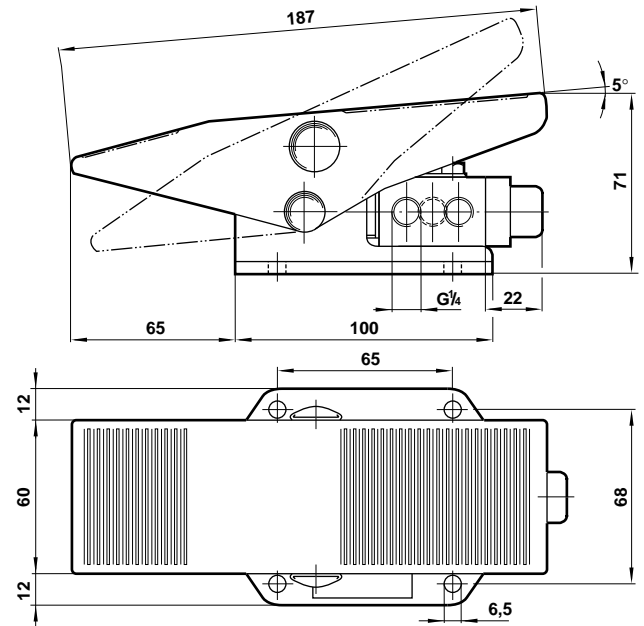


**03 0627 02**  
**G<sup>1</sup>/<sub>4</sub> 3/2 Knob Operated, Knob or Pilot Return Valve**



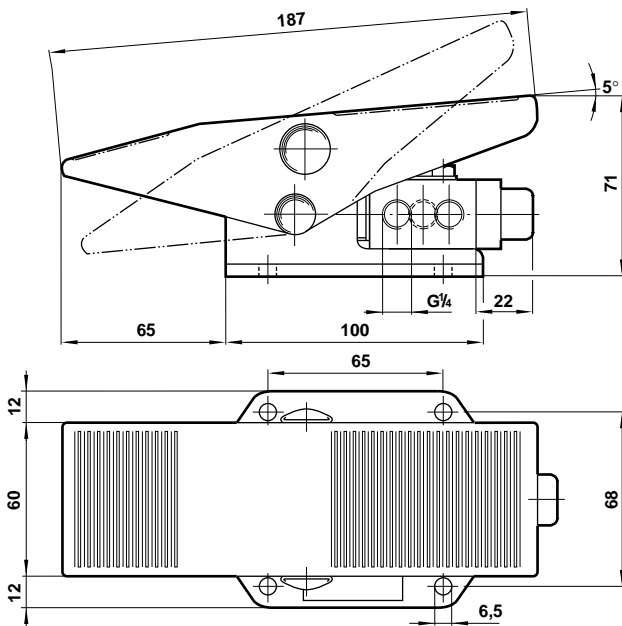
Operating Force: 13N  
 Reset Pressure: 4 bar minimum  
 This valve is suitable for panel mounting and includes a nut and washer.  
 Panel Hole: Ø21 mm; Panel Thickness: 8 mm maximum

**03 0681 02**  
**G<sup>1</sup>/<sub>4</sub> 3/2 Pedal Operated Spring Return Valve**



Operating Force: 22N  
 A foot guard is available for this valve, reference  
 03 0480 60.

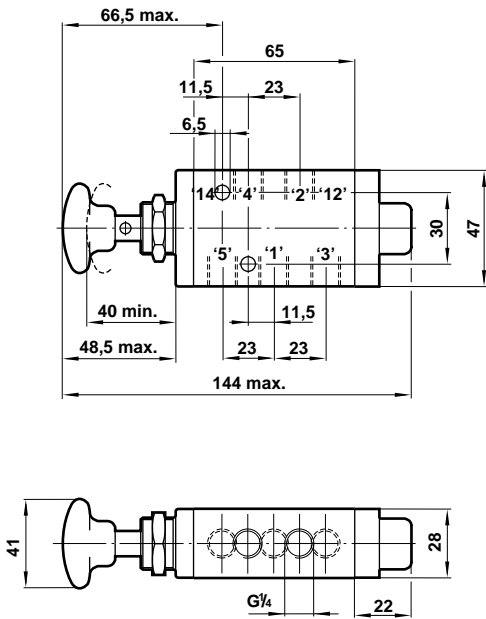
**03 0683 02**  
**G<sup>1</sup>/<sub>4</sub> 3/2 Pedal Operated Pedal Return Valve**



Operating Force: 22N  
 A foot guard is available for this valve, reference  
 03 0480 60.

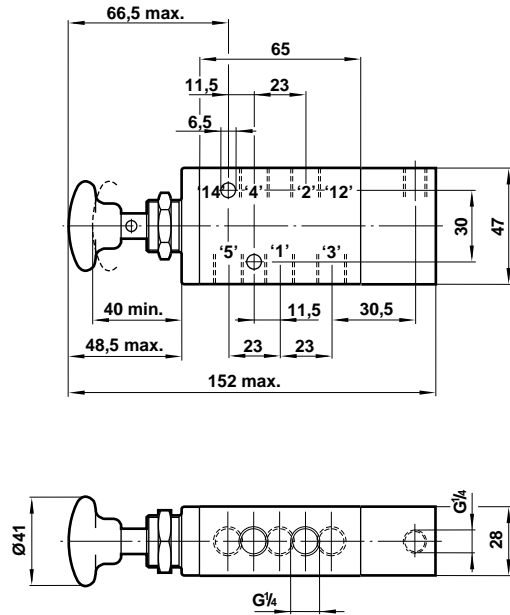


**X3 0644 02**  
**G<sup>1</sup>/<sub>4</sub> 5/2 Button Operated Spring Return Valve**



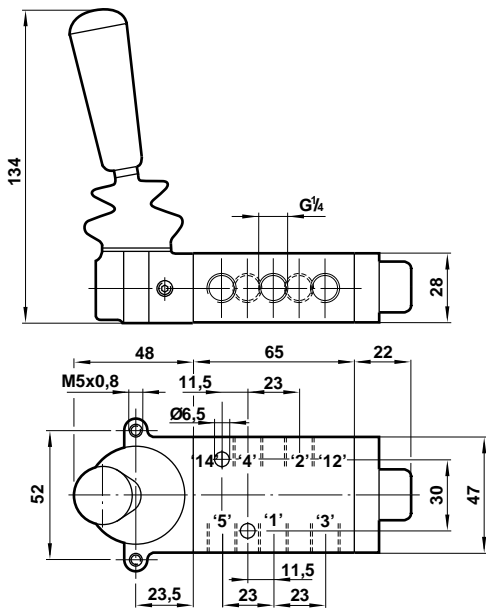
Operating Force: 62N  
This valve is suitable for panel mounting and includes a nut and washer.  
Panel Hole: Ø21 mm; Panel Thickness: 8 mm maximum

**X3 0648 02**  
**G<sup>1</sup>/<sub>4</sub> 5/2 Button Operated Pilot Return Valve**



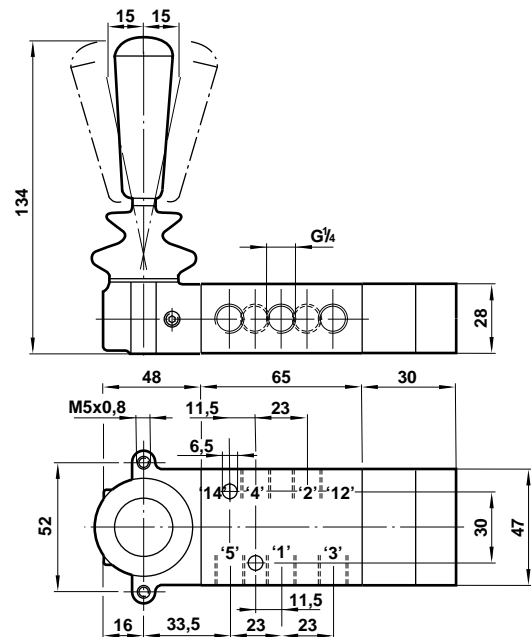
Operating Force: 13N, pilot port '12' at zero bar  
Reset Pressure: 2 bar minimum  
This valve is suitable for panel mounting and includes a nut and washer.  
Panel Hole: Ø21 mm; Panel thickness: 8mm maximum

**X3 0678 02, X3 0677 02**  
**G<sup>1</sup>/<sub>4</sub> 5/2 Lever Operated Valves**



Operating Force: X3 0678 02 = 15N  
X3 0677 02 = 13N  
Model X3 0677 02 features a positive detent in each position.  
Both models are suitable for panel mounting by means of a bezel kit,  
reference 03 3637 64.  
Panel Hole: Ø31 mm;  
Panel Thickness: 8 mm maximum

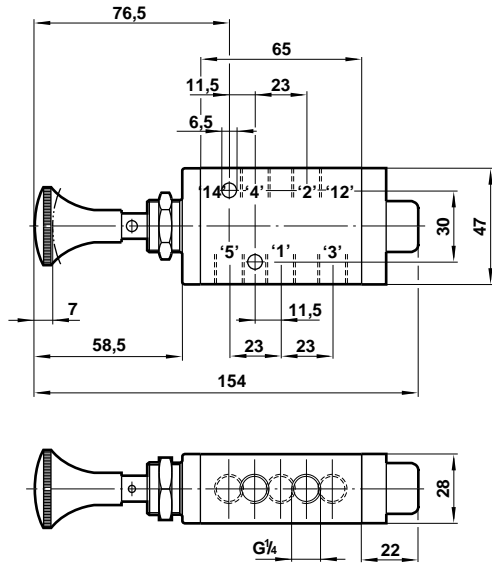
**X3 3638 02, X3 3678 02, X3 3637 02, X3 3677 02**  
**G<sup>1</sup>/<sub>4</sub> 5/3 Three Position Lever Operated Valves**



Operating Force: X3 3638 02 & X3 3678 02 models = 15N  
X3 3637 02 & X3 3677 02 models = 12N  
These valves are suitable for panel mounting by means of a bezel kit,  
reference 03 3637 64.  
Panel Hole: Ø31 mm  
Panel Thickness: 8 mm maximum

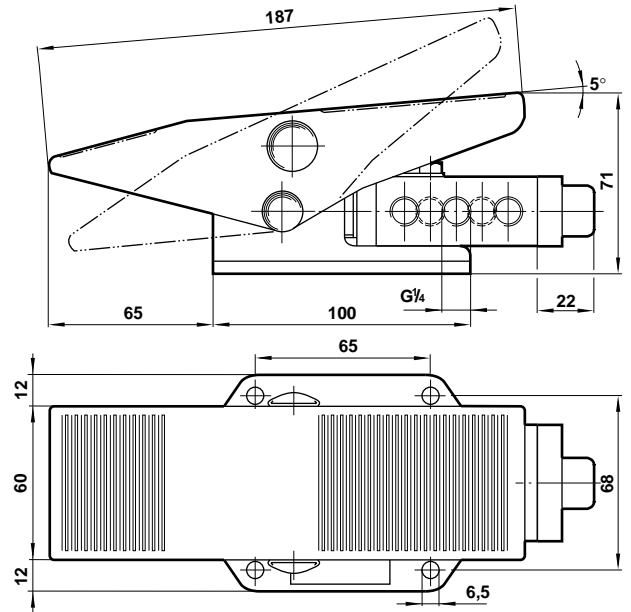


**X3 0665 02**  
**G<sup>1</sup>/<sub>4</sub> 5/2 Knob Operated Knob Return Valve**



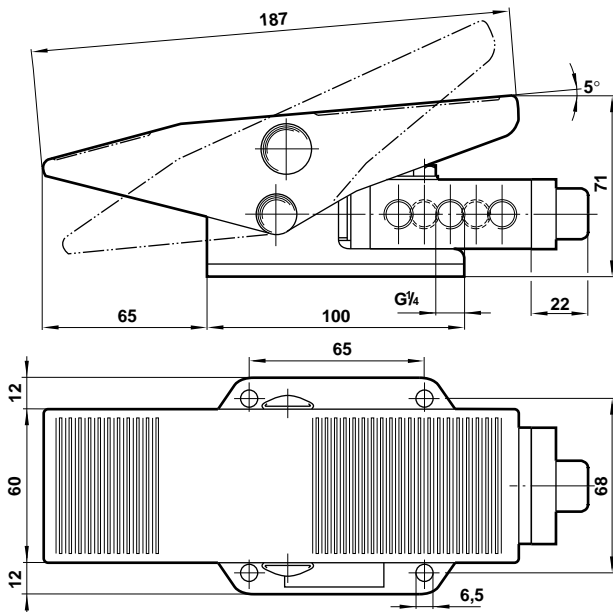
Operating Force: 13N  
 This valve is suitable for panel mounting and includes a nut and washer.  
 Panel Hole: Ø21 mm; Panel Thickness: 8 mm maximum

**X3 0682 02**  
**G<sup>1</sup>/<sub>4</sub> 5/2 Pedal Operated Spring Return Valve**



Operating Force: 22N  
 A foot guard is available for this valve, reference  
 03 0480 60

**X3 0684 02**  
**G<sup>1</sup>/<sub>4</sub> 5/2 Pedal Operated Pedal Return Valve**



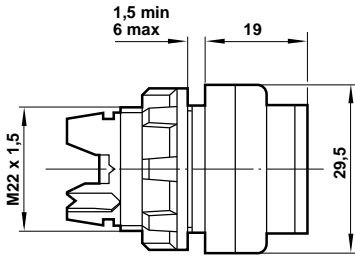
Operating Force: 22N  
 A foot guard is available for this valve, reference  
 03 0480 60



Operating Heads for use with G<sup>1</sup>/<sub>8</sub> 5/2 and 3/2 Adapter Valves

**M/P 34840/\***

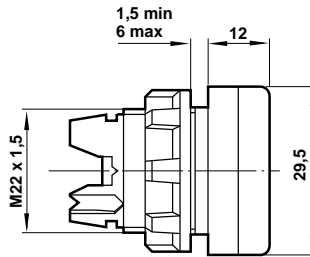
**Button (Palm) Operated, Spring Return**



Operating Force: 50N  
IP 65 Protection  
Panel mounted Ø22,5 mm hole

**M/P34841/\***

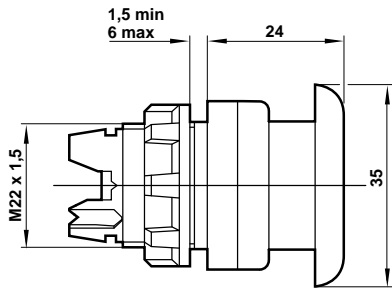
**Button (Shrouded) Operated, Spring Return**



Operating Force: 50N  
Panel Hole: Ø22,5 mm  
Panel Thickness: 6 mm maximum

**M/P 34842/\***

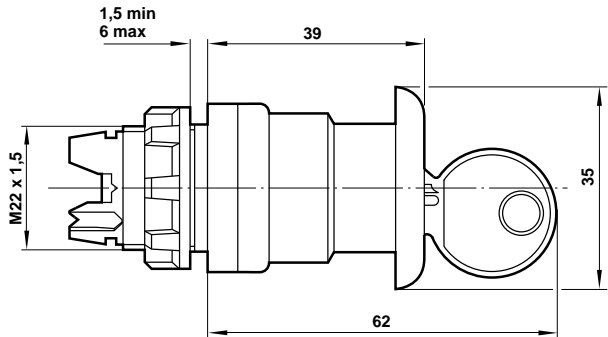
**Button (Mushroom) Operated, Spring Return**



Operating Force: 50N  
Panel Hole: Ø22,5 mm  
Panel Thickness: 6 mm maximum

**M/P 34682**

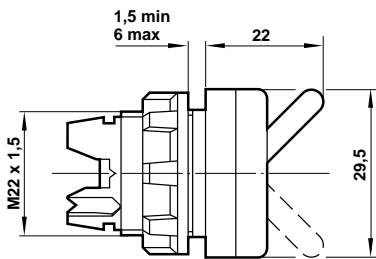
**Button Operated, Key Reset (Emergency Stop)**



Operating Force: 50N  
Panel Hole: Ø22,5 mm  
Panel Thickness: 6 mm maximum

**M/P 34846**

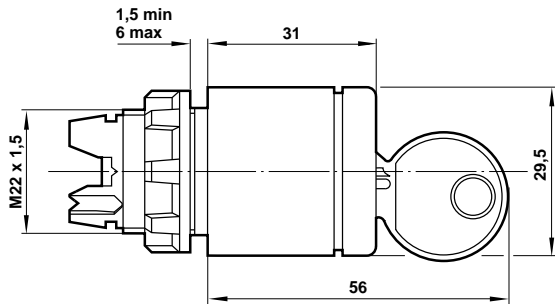
**Switch Operated Switch Return**



Operating Force: 40N  
Panel Hole: Ø22,5 mm  
Panel Thickness: 6 mm maximum

**M/P 34845**

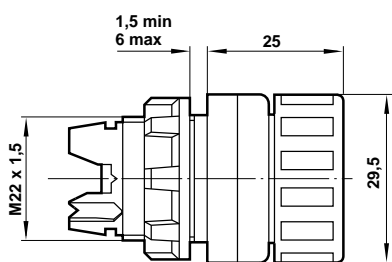
**Key Operated Key Return**



Operating Force: 6,8N  
Panel Hole: Ø22,5 mm  
Panel Thickness: 6 mm maximum

**M/P 34843**

**Rotary Knob Operated Rotary Knob Return**



Operating Force: 6,8N  
Panel Hole: Ø22,5 mm  
Panel Thickness: 6 mm maximum

Operator	Type	Colour	Model No.
Button (Palm)/Spring	Momentary Action	Red	M/P 34840/R
		Green	M/P 34840/G
		Black	M/P 34840/N
Button (Shrouded)/Spring	Momentary Action	Red	M/P 34841/R
		Green	M/P 34841/G
		Black	M/P 34841/N
Button (Mushroom)/Spring	Momentary Action	Red	M/P 34842/R
		Green	M/P 34842/G
		Black	M/P 34842/N
Emergency Stop Button/Key	Maintained Action	Red	M/P 34682
Switch/Switch	Maintained Action	-	M/P 34846
Rotary Knob/Rotary Knob	Maintained Action	-	M/P 34843
Key/Key	Maintained Action	-	M/P 34845