

JCS



FM 29975

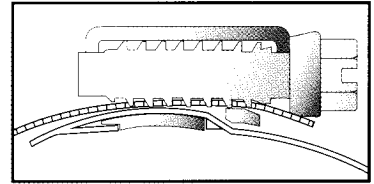
HI-TORQUE

HEAVY DUTY STAINLESS STEEL HOSE CLAMPS



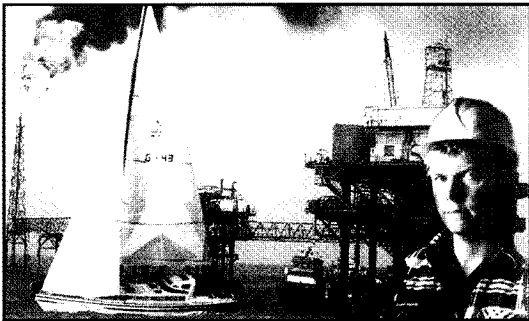
HI-TORQUE STAINLESS

HI-TORQUE Heavy Duty Stainless Steel Hose Clamps have been specifically designed for tough and wire reinforced hoses and for when an extra margin of safety and reliability is required. HI-TORQUE clamps out perform nut and bolt type clamps due to their more uniform tightening which gives higher sealing pressure. They are quicker to fit, have no loose parts to lose in awkward places and require less space than any other heavy duty hose clamp. HI-TORQUE clamps also offer a larger adjustment for each size than nut and bolt clamps thus reducing inventory requirements.



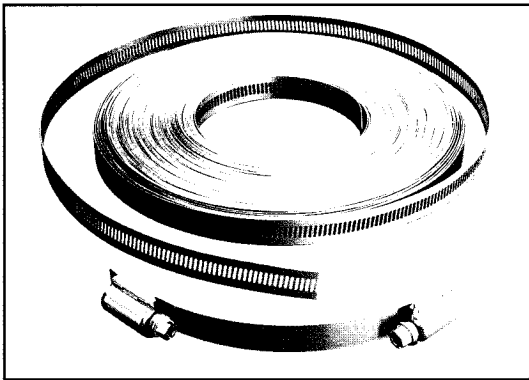
STRAIGHT LINE HOUSING

The HI-TORQUE design has a unique 'Straight Line' housing, which ensures that every thread of the screw is fully engaged with the band. This special feature together with a high tensile band and hardened rolled thread screw means that HI-TORQUE clamps produce more than twice the strength of ordinary worm drive hose clips.



LLOYD'S REGISTER APPROVAL

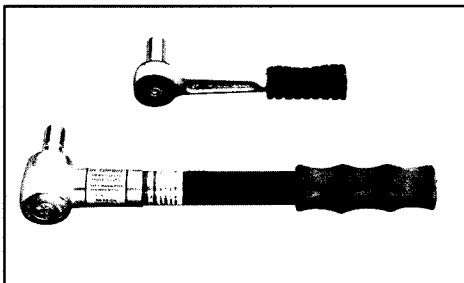
JCS HI-TORQUE heavy duty hose clamps hold Lloyd's Register Type Approval for applications in the marine, offshore and industrial markets. They are specifically approved by Lloyd's Register for the critical application of sealing wet diesel exhaust hoses on small craft. Further details can be supplied on request.



MULTI-TORQUE KITS

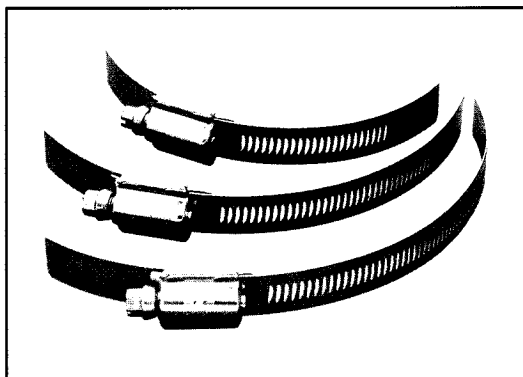
JCS HI-TORQUE have coupled the strength of HI-TORQUE hose clamps with the convenience of being able to produce instant hose clamps to any desired diameter from a kit. Ideal for all maintenance applications, MULTI-TORQUE kits are manufactured to the same high quality standards as HI-TORQUE clamps. This means that all parts are 100% stainless steel (18/8 marine quality) and are significantly stronger than other adjustable banding products.

By simply cutting off the required length from a continuous banding roll and engaging one end of the band into each housing of the MULTI-TORQUE connector a hose clamp is made. What is more the hose clamp is re-usable just like the standard HI-TORQUE clamps!



TOOLS

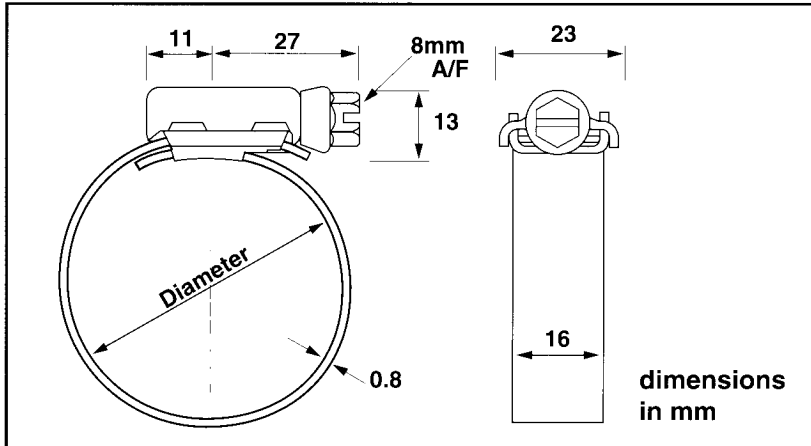
For the HI-TORQUE range ratchet spanners and pre-set torque slipper spanners are available



HI-TORQUE STRAPS

The strength of HI-TORQUE clamps is utilised in our straps which are used for scores of applications.

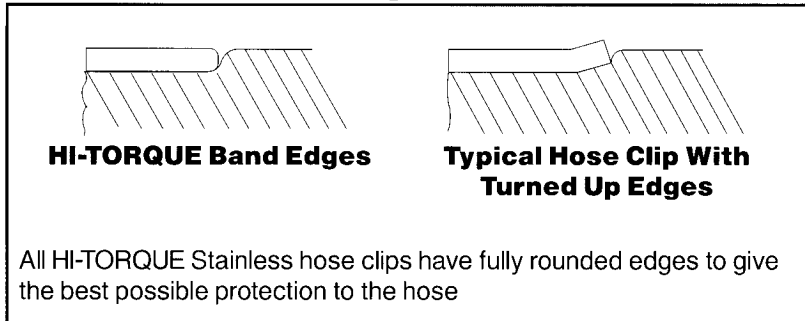
Technical Specification



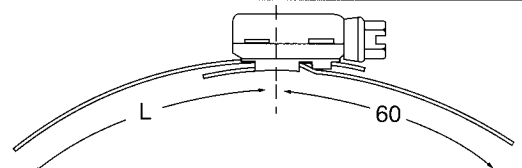
Material Specification

Band	BS304 - En58-DIN 1.4301 Tensile strength = 1150 N/mm ² Approx (75 tons /in ²)
Housing	BS304 - En58-DIN 1.4301
Screw	BS410 - En56-DIN 1.4006 - Heat treated to 1220 N/mm ² Approx (80 tons /in ²) (or BS304 - En58-DIN 1.4301 to special order)
Recommended Setting Torques	
	BS410 heat treated screw - 15Nm (130 lb.in)
	BS304 screw - 12Nm (106 lb.in)

HI-TORQUE Band Edges

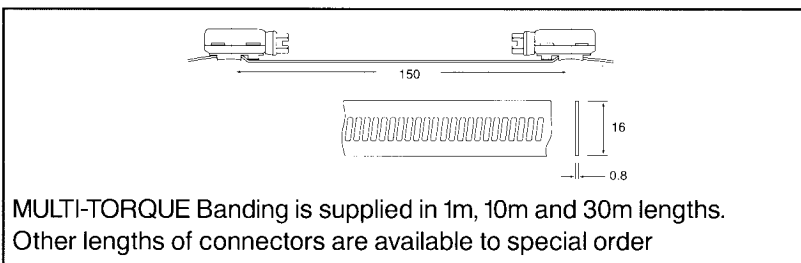


HI-TORQUE Straps



Strap Size	Linear Adjustment	Dia Adj	Length L
0	62	20	100
1	94	30	136
2	125	40	164

MULTI-TORQUE



Standard Range

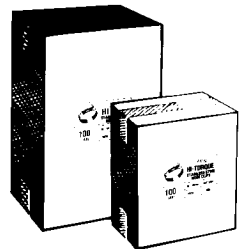
Size	Dia (mm)	Dia (ins)	Box Quantity
27	20 - 27	3/4 - 1 1/8	100
30	20 - 30	3/4 - 1 1/4	100
35	20 - 35	3/4 - 1 3/8	100
40	25 - 40	1 - 1 5/8	100
(45)	25 - 45	1 - 1 3/4	100
50	30 - 50	1 1/4 - 2	100
60	40 - 60	1 5/8 - 2 3/8	100
(65)	45 - 65	1 3/4 - 2 1/2	100
70	50 - 70	2 - 2 3/4	100
80	60 - 80	2 3/8 - 3 1/8	100
90	70 - 90	2 3/4 - 3 1/2	100
(95)	75 - 95	3 - 3 3/4	100
100	80 - 100	3 1/8 - 4	100
120	90 - 120	3 1/2 - 4 3/4	50
140	110 - 140	4 3/8 - 5 1/2	50
160	130 - 160	5 1/8 - 6 1/4	50
180	150 - 180	5 7/8 - 7	50
200	170 - 200	6 3/4 - 7 7/8	25
220	190 - 220	7 1/2 - 8 5/8	25
240	210 - 240	8 1/4 - 9 1/2	25
260	230 - 260	9 - 10 1/4	25
280	250 - 280	9 7/8 - 11	25
300	270 - 300	10 5/8 - 11 3/4	25
320	290 - 320	11 3/8 - 12 1/2	25
340	310 - 340	12 1/4 - 13 3/8	25
360	330 - 360	13 - 14 1/8	25
380	350 - 380	13 3/4 - 15	25
400	370 - 400	14 1/2 - 15 3/4	25
420	390 - 420	15 3/8 - 16 1/2	25
440	410 - 440	16 1/8 - 17 1/4	25
460	430 - 460	17 - 18 1/8	25
480	450 - 480	17 3/4 - 18 7/8	25
500	470 - 500	18 1/2 - 19 5/8	25

() Not required for a complete range but useful intermediate sizes for popular hoses.

Larger diameter and clamps with greater adjustment to order

HI-TORQUE Packaging

All sizes of HI-TORQUE are supplied in bulk packs



All JCS packaging includes a unique code number which gives full batch tracability