

Oil level indicators



• Material

Transparent polyamide based (PA-T) technopolymer. Resistant to solvents, oils with additives, greases, acids and alkali. Avoid contact with alcohol or detergents containing alcohol.

• Star-shaped contrast screen

Matte anodised aluminium with red central level point.

• Packing ring

NBR synthetic rubber.

• Maximum continuous working temperature

100°C.

Features

The particular shape of the magnifying lens increases and improves visibility even from side positions.

Technical data

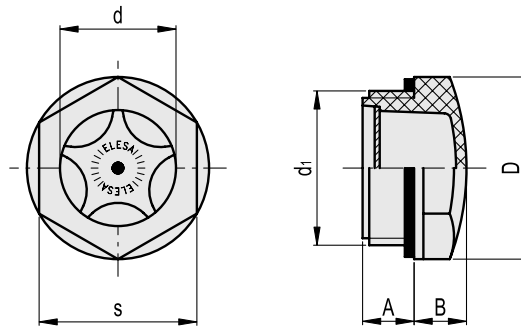
The tightening torque indicated in the table guarantees an optimal tightness, keeping the packing ring in the correct position.

Note

For use with other fluids with special additives, please contact ELESA Sales Department.

Accessories on request

Brass nut type GH. for fitting to reservoirs with wall thickness smaller than 5 mm.



Code	Description	d ₁	A	B	D	d	s	Tightening torque [Nm]	⚖️
13661	HFTX.11-M16x1.5	M16x1.5	8	7	22	11	19	2÷3	4
13681	HFTX.14-M20x1.5	M20x1.5	9.5	8	26	14	22	8÷10	5
13701	HFTX.18-M25x1.5	M25x1.5	8	9	31.5	18	27	8÷10	8
13726	HFTX.21-M26x1.5	M26x1.5	13	9	31.5	18	27	8÷10	8
13711	HFTX.19-M27x1.5	M27x1.5	9	9	31.5	20	27	8÷10	8
13731	HFTX.22-M30x1.5	M30x1.5	9	10	35	22	30	8÷10	10
13751	HFTX.26-M35x1.5	M35x1.5	11	10	40	25	34	8÷10	13
13771	HFTX.31-M40x1.5	M40x1.5	11.5	13	47.5	30	40.5	8÷10	20
13651	HFTX.9-1/4	G 1/4	10	6	18	9	15	2÷3	3
13671	HFTX.12-3/8	G 3/8	7.5	7	22	11	19	3÷5	4
13691	HFTX.15-1/2	G 1/2	10.5	8	26	14	22	4÷6	5
13721	HFTX.20-3/4	G 3/4	10.5	9	31.5	20	27	6÷8	8
13741	HFTX.24-1	G 1	11	10	40	25	34	8÷10	12
13761	HFTX.30-1¼	G 1¼	11.5	13	47.5	30	40.5	8÷10	20