



## TECHNICAL SPECIFICATIONS

<b>Material:</b>	Polyamid UL-recognised
<b>Operating Temperature:</b>	-30°C up to +110°C
<b>Cable Entry:</b>	Top
<b>Thumbscrews:</b>	UNC 4-40 (standard) M2,5 or M3 upon request
<b>Cable Diameter:</b>	Up to 11,5 mm
<b>Accessories:</b>	See page 104
<b>Assembly Instruction:</b>	See page 136

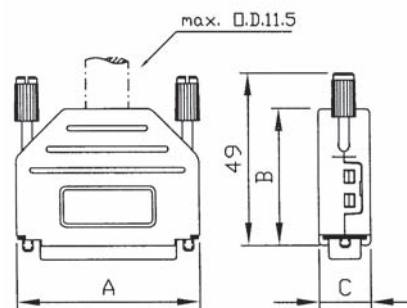


## Ordering information:

Size:	Part Number:	Product Code:	Colour:
9-way	626x0101-01	MHDPPK09-BK-x	Black (Standard)
15-way	-02	MHDPPK15-BK-x	
25-way	-03	MHDPPK25-BK-x	
37-way	-04	MHDPPK37-BK-x	
50-way	-05	MHDPPK50-BK-x	
9-way	635x0101-01	MHDPPK09-LG-x	Light Grey
15-way	-02	MHDPPK15-LG-x	
25-way	-03	MHDPPK25-LG-x	
37-way	-04	MHDPPK37-LG-x	
50-way	-05	MHDPPK50-LG-x	
9-way	635x0102-01	MHDPPK09-DEC-x	DEC Grey
15-way	-02	MHDPPK15-DEC-x	
25-way	-03	MHDPPK25-DEC-x	
37-way	-04	MHDPPK37-DEC-x	
50-way	-05	MHDPPK50-DEC-x	
9-way	635x0103-01	MHDPPK09-R-x	Red
15-way	-02	MHDPPK15-R-x	
25-way	-03	MHDPPK25-R-x	
37-way	-04	MHDPPK37-R-x	
50-way	-05	MHDPPK50-R-x	
9-way	635x0104-01	MHDPPK09-B-x	Blue
15-way	-02	MHDPPK15-B-x	
25-way	-03	MHDPPK25-B-x	
37-way	-04	MHDPPK37-B-x	
50-way	-05	MHDPPK50-B-x	
9-way	635x0105-01	MHDPPK09-Y-x	Yellow
15-way	-02	MHDPPK15-Y-x	
25-way	-03	MHDPPK25-Y-x	
37-way	-04	MHDPPK37-Y-x	
50-way	-05	MHDPPK50-Y-x	
9-way	635x0106-01	MHDPPK09-G-x	Green
15-way	-02	MHDPPK15-G-x	
25-way	-03	MHDPPK25-G-x	
37-way	-04	MHDPPK37-G-x	
50-way	-05	MHDPPK50-G-x	
9-way	635x0107-01	MHDPPK09-W-x	White
15-way	-02	MHDPPK15-W-x	
25-way	-03	MHDPPK25-W-x	
37-way	-04	MHDPPK37-W-x	
50-way	-05	MHDPPK50-W-x	

## Features:

- Available in sizes 9-15-25-37-50-way
- Suitable for any common Sub-D connector
- Quick-snap locking system
- Standard Colour Black, other colour on request
- Company logo can be moulded on request
- Also available in Metalized Version, See page 10



Size	Dim A	Dim B	Dim C
9-way	31,5	34,0	15,0
15-way	40,0	34,0	15,0
25-way	53,5	34,0	15,0
37-way	70,0	40,0	15,0
50-way	67,5	40,0	15,0

## How to Order:

<b>Standard BLACK:</b>	6260 = Kitted Part
	6261 = Bulk (100pcs / pack)
<b>Colours:</b>	6353 = Kitted Part
	6354 = Bulk (100pcs / pack)

## Examples:

6260-0101-01	MHDPPK09-BK-K	Black, 9-way, Kitted
6261-0101-03	MHDPPK25-BK	Black, 25-way, BULK
6353-0103-02	MHDPPK15-R-K	RED, 15-way, Kitted
6354-0106-01	MHDPPK09-G	Green, 9-way, BULK