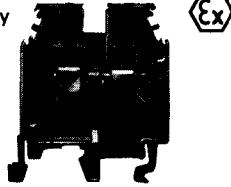


Terminal blocks for neutral circuit

Characteristics and accessories, see compression clamp terminal blocks

MA 2,5/5.N M 4/6.N
M 6/8.N M 10/10.N
M 16/12.N M 35/16.N
M 95/26.N

Blue body

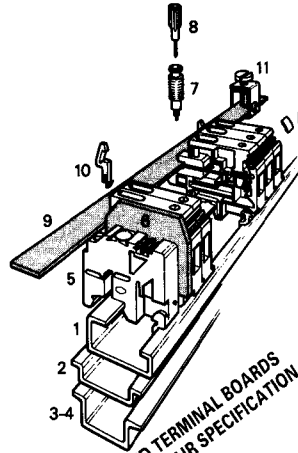


These compression clamp terminal blocks with blue body can be used for connection of the neutral circuit or other identification. They are easily identified by the colour blue.

WIRE SIZE AWG	mm ²	Type	Part Number
14	2,5	MA 2,5/5.N	125 486.05
12	4	M 4/6.N	125 116.01
10	6	M 6/8.N	125 118.13
8	10	M 10/10.N	125 120.11
6	16	M 16/12.N	125 129.16
2	35	M 35/16.N	125 124.01
4/0	95	M 95/26.N	125 556.12

PREASSEMBLED TERMINAL BOARDS
AVAILABLE ON YOUR SPECIFICATION

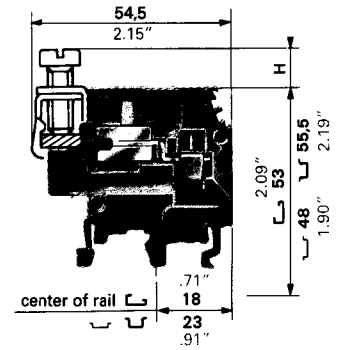
Interruptible terminal blocks for neutral circuit



PREASSEMBLED TERMINAL BOARDS
AVAILABLE ON YOUR SPECIFICATION

M 4/6.NT

Spacing 6 mm + 0,05 (.238")



Type	Part number
Blue body M 4/6.NT	125 117.02

Interruptible neutral terminal block, same size as M 4/6 terminal block

Characteristics

		DIN-VDE	UL	CSA	NFC-IUTE
Wire size (see generalities)	Solid wire	0-4 mm ²		18-12 AWG	0-4 mm ²
	Stranded wire	0-4 mm ²			0-4 mm ²
Neutral busbar		10 x 3 mm 394" x .12"			
Rated voltage V	~ AC	500 Gr.C		300	500 Cat.C
	= DC	600 Gr.C			500 Cat.C
Rated current A		35		25	30
Rated wire size		4 mm ²		12 AWG	2,5 mm ²

Other characteristics

Wire stripping length	Recommended screwdriver	Recommended torque	Screwdriver for busbar
12 mm .47"	4 mm	0,4-0,6 Nm 3,5-5,3 lb.in	4 mm

Approvals (Contact Entelec)

--

Accessories

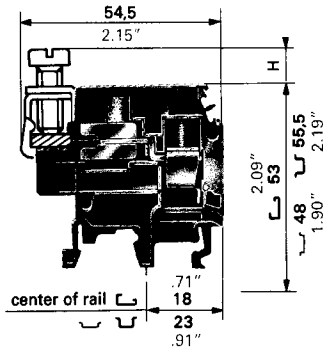
	Type	Part number
1 Rail 32x15	DIN 1	PR1 Z2 163 050.04
2 Rail 35x7,5x1	DIN 3	PR30 prepunched 173 220.05
3 Rail 35x15x2,3	DIN 3	PR4 prepunched 168 500.12
4 Rail 35x15x1,5		PR5 prepunched 101 598.26
5 End stop (all rails)		BAM th. 9,1 mm 103 002.26
6 End section blue		FEM6 th. 2,5 mm 128 368.10
7 Test device		DCJ yellow 173 059.03
8 Test plug		FC2 DIA. 2 mm 7 865.26
9 Busbar		BO3 10 x 3 mm 164 406.24
10 Busbar lock		VRB3 128 035.16
11 Compression clamp for busbar		SFB1 0,5 to 35 mm ² n°18 163 860.05 to 2 AWG H = 7mm/.28"
		SFB2 16 to 35 mm ² n°6 168 956.06 to 2 AWG H = 3mm/.12"

R See markers and other accessories Marking method

①

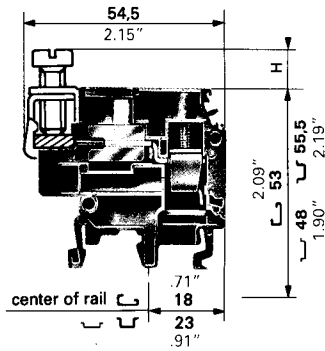
M 6/8.NT

Spacing 8 mm - 0,05 (.315")



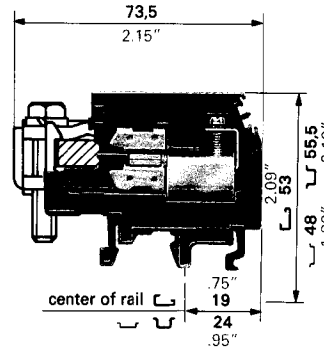
M 10/10.NT

Spacing 10 mm - 0,05 (.394")



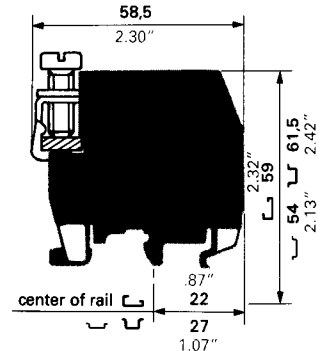
M 16/12.NT

Spacing 12 mm - 0,1 (.473")



M 35/16.NT

Spacing 17 mm - 0,1 (.630")



Type	Part number	Type	Part number	Type	Part number	Type	Part number
Blue body M 6/8.NT	125 119.14	Blue body M 10/10.NT	125 121.06	Blue body M 16/12.NT	125 128.15	Blue body M 35/16.NT	125 358.03

Interruptible neutral terminal block, same size as M 6/8 terminal block

Interruptible neutral terminal block, same size as M 10/10 terminal block

Interruptible neutral terminal block, same size as M 16/12 terminal block

Interruptible neutral terminal block, same size as M 35/16 terminal block

DIN-VDE	UL	CSA	NFC-UTE	DIN-VDE	UL	CSA	NFC-UTE	DIN-VDE	UL	CSA	NFC-UTE	DIN-VDE	UL	CSA	NFC-UTE
0-10 mm ²		18-8 AWG	0-10 mm ²	0-16 mm ²		18-6 AWG	0-16 mm ²	6-25 mm ²		8-4 AWG	6-25 mm ²	16-50 mm ²			16-50 mm ²
0-6 mm ²			0-6 mm ²	0-10 mm ²			0-10 mm ²	6-16 mm ²			6-16 mm ²	16-35 mm ²			16-35 mm ²
10 x 3 mm .394" x .12"				10 x 3 mm .394" x .12"				15 x 6 mm .59" x .24"				10 x 3 mm .394" x .12"			
500 Gr.C		300	500 Cat.C	500 Gr.C		600	500 Cat.C	500 Gr.C		300	500 Cat.C	500 Gr.C			500 Cat.C
600 Gr.C			500 Cat.C	600 Gr.C			500 Cat.C	600 Gr.C			500 Cat.C	600 Gr.C			500 Cat.C
46		50	51	63		75	71	85		105	95	85			95
6 mm ²		8 AWG	6 mm ²	10 mm ²		6 AWG	10 mm ²	16 mm ²		4 AWG	16 mm ²	35 mm ²			35 mm ²
Wire stripping length	Recommended screwdriver	Recommended torque	Screwdriver for busbar	Wire stripping length	Recommended screwdriver	Recommended torque	Screwdriver for busbar	Wire stripping length	Recommended screwdriver	Recommended torque	Screwdriver for busbar	Wire stripping length	Recommended screwdriver	Recommended torque	Screwdriver for busbar
12 mm .47"	4-5 mm	0,8-1 Nm 7.1-8.9 lb.in	4 mm	12 mm .47"	5,5-6 mm	1,2-1,4 Nm 10.6-12.3 lb.in	4 mm	14 mm .55"	5,5 mm	1,2-1,4 Nm 10.6-12.3 lb.in	5,5 mm	17 mm .67"	8 mm	2,5-3 Nm 21.8-26.1 lb.in	8 mm
Ⓢ Ⓡ Ⓟ Ⓝ				Ⓢ Ⓡ Ⓟ Ⓝ				Ⓢ Ⓡ Ⓟ Ⓝ				Ⓢ Ⓡ Ⓟ Ⓝ			

Type	Part number	Type	Part number	Type	Part number	Type	Part number
PR1 Z2	163 050.04	PR1 Z2	163 050.04	PR1 Z2	163 050.04	PR1 Z2	163 050.04
PR30 prepunched	173 220.05	PR30 prepunched	173 220.05	PR30 prepunched	173 220.05	PR30 prepunched	173 220.05
PR4	168 500.12	PR4	168 500.12	PR4	168 500.12	PR4	168 500.12
PR5 prepunched	101 598.26	PR5 prepunched	101 598.26	PR5 prepunched	101 598.26	PR5 prepunched	101 598.26
BAM th. 9,1 mm	103 002.26	BAM th. 9,1 mm	103 002.26	BAM th. 9,1 mm	103 002.26	BAM th. 9,1 mm	103 002.26
FEM6 th. 2,5 mm	128 368.10	FEM6 th. 2,5 mm	128 368.10	FEM12N	128 616.21		
DCO orange	173 060.00						
FC2 DIA. 2 mm	7 865.26						
BO3 10 x 3 mm	164 406.24	BO3 10 x 3 mm	164 406.24	BO6 15 x 6 mm	168 417.22	BO3 10 x 3 mm	164 406.24
VRB3	128 035.16	VRB3	128 035.16	VRB6	128 361.01	VRB3	128 035.16
SFB1 0,5 to 35 mm ² n°18	163 860.05	SFB1 0,5 to 35 mm ² n°18	163 860.05	SFB3 16 to 95 mm ² n°4 to 00 AWG	168 690.10	SFB1 0,5 to 35 mm ² n°18	163 860.05
to 2 AWG H = 7mm/.28"		to 2 AWG H = 7mm/.28"				to 2 AWG H = 7mm/.28"	
SFB2 16 to 35 mm ² n°6	168 956.06	SFB2 16 to 35 mm ² n°6	168 956.06			to 2 AWG H = 7mm/.28"	
to 2 AWG H = 3mm/.12"		to 2 AWG H = 3mm/.12"				to 2 AWG H = 3mm/.12"	168 956.06

