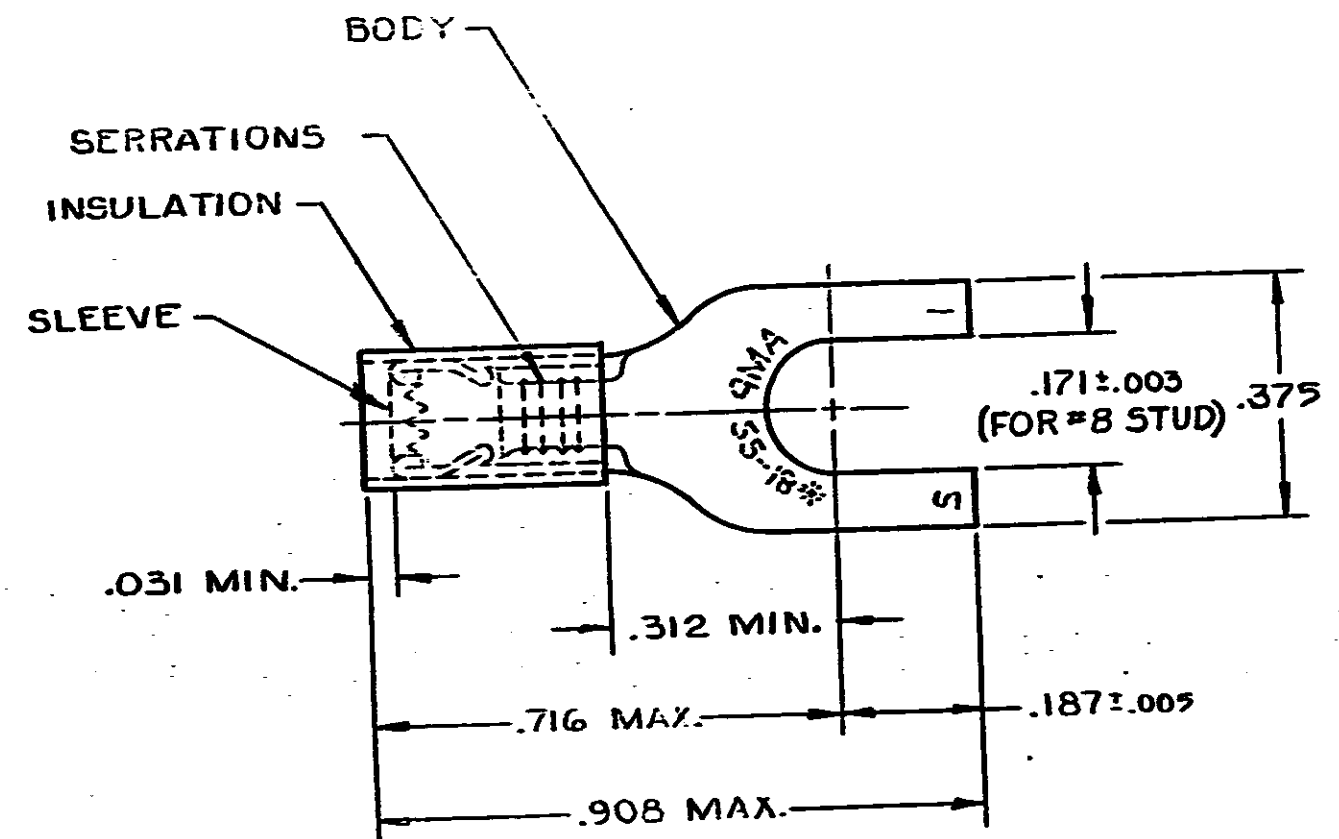


DRAWING MADE IN THIRD ANGLE PROJECTION

THIS DRAWING IS UNPUBLISHED. RELEASED FOR PUBLICATION
 © COPYRIGHT 19 BY AMP INCORPORATED, HARRISBURG, PA. ALL INTERNATIONAL RIGHTS RESERVED. AMP PRODUCTS MAY BE COVERED BY U.S. AND FOREIGN PATENTS AND/OR PATENTS PENDING.

| | | REVISIONS | | | DATE | APPROVED |
|---|---|-----------|-----|---|------------|----------|
| P | F | ZONE | LTR | DESCRIPTION | | |
| ✓ | ✓ | | E | REDRAWN PER G-1475, G-1175, P85-0049 & P85-0050 | 1/9/80 | rgm |
| ✓ | ✓ | | F | OBSOLETE 2--2 PER G-2393 | 3/27/87 | GS |
| ✓ | ✓ | | G | OBS. 2--3 REV G2591 | BT 4/20/87 | PMF |
| ✓ | ✓ | | H | REV PER G-4732 | JT 12/2/81 | |
| ✓ | ✓ | | J | REF/0720-0032-93 | LO 2/93 | ML |



- 1 WIRE INSULATION DIA. = .080 - .125
- 2 TONGUE MATERIAL THK. = .031 ± .002
- 3 22-18 MARKING FOR MILITARY, COMMERCIAL RANGE 22-16.
- 4 TIN PL. MIL-T-10727 .000100 MIN THK.

| QUANTITY | DESCRIPTION | PART NO |
|-----------------|----------------------------|----------------------|
| 100 | LOOSE PC, BOX | 8-32050-1 |
| 100 | ON TAPE, 30X | 2-32050-3 |
| 1000 | ON TAPE, 15-20X | 3-32050-2 |
| 5000 | ON TAPE, REEL | 8-32050-1 |
| — | LOOSE PIECE | 32050 |

| | | | |
|--|-----------------------------|---|-------------------------|
| UNLESS OTHERWISE SPECIFIED DIMENSIONS ARE IN INCHES. TOLERANCES ON: DECIMALS ± .002 ANGLES ± | CONTRACT NO | AMP AMP INCORPORATED Harrisburg, Pa. | |
| | DR UTA/RFB 9-18-85 | | |
| MATERIAL INSULATION: NYLON- RED BODY & SLEEVE: COPPER (QQ-C-576) | CHK <i>P. M. ...</i> 1/9/86 | NAME TERMINAL, P.I.D.G. SPADE WIRE SIZE: 22-16 | |
| FINISH BODY: 4 | APPD <i>...</i> 12/20/86 | SIZE B | FSCM NO 00779 |
| | DSGN APPD | DRAWING NO 32050 | |
| | OTHER APPD | SCALE NTS | SHEET 1 OF 1 |

CUSTOMER DRAWING