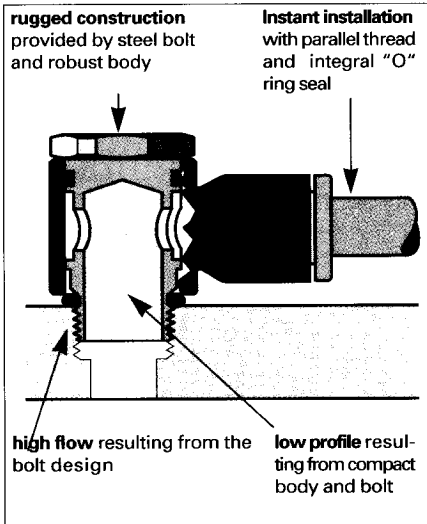


full flow banjos

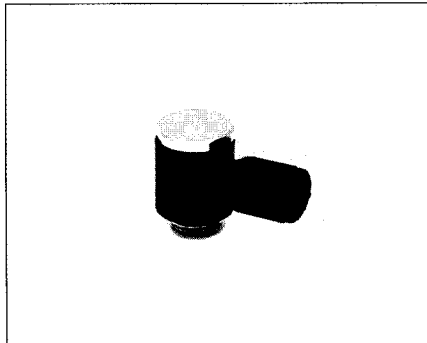


specification includes :

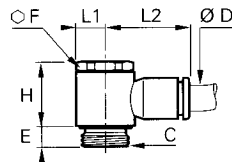
- **parallel threads** with an integral "O" ring seal offer the same advantages as those found on the male stud fittings, instant assembly, security and consistent assembled height.
- **compactness and low profile** for better space utilization and accessibility.
- **full flow**, equivalent to the size of male stud elbows, and robust construction utilizing a steel bolt.

		flow at 6 bar. litres/mn	
Thread	Ø tube	stud elbow 3109	banjo
1/8	4 x 6	750	750
1/4	6 x 8	1380	1400
3/8	7,5 x 10	2100	2050

3118 single banjo, BSPP and M5 thread



plastic body, nickel-plated brass bolt complete with integral sealing "O" ring



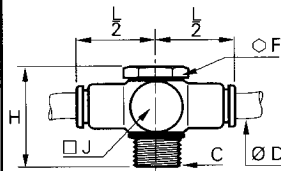
*with screwdriver slot

Ø D	C		E	F	H	J	L1	L2	Δ kg
4	M5	*3118 04 19	4	-	13	-	5	16	0,007
4	1/8	3118 04 10	4	13	17	-	7	18,5	0,010
6	M5	*3118 06 19	4	-	13	-	7	18,5	0,008
6	1/8	3118 06 10	4	13	17	-	7	20	0,011
6	1/4	3118 06 13	5,5	17	21	-	9,5	22	0,015
8	1/8	3118 08 10	4	13	21	-	7	25	0,022
8	1/4	3118 08 13	5,5	17	26,5	-	9,5	27	0,030
8	3/8	3118 08 17	5,5	20	30	-	11	29	0,049
10	1/4	3118 10 13	5,5	17	26,5	-	9,5	29	0,058
10	3/8	3118 10 17	5,5	20	30	-	11	31	0,061
12	1/4	3118 12 13	5,5	22	24	25	12,5	43,5	0,065
12	3/8	3118 12 17	5,5	22	24	25	12,5	43,5	0,067

3119 double banjo, BSPP and M5 thread



plastic body, steel bolt complete with sealing washer

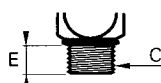


Ø D	C		F	H	J	$\frac{L}{2}$	Δ kg
4	M5	3119 04 19	8	15,5	10	18	0,018
4	1/8	3119 04 10	14	22,5	16	22	0,019
6	1/8	3119 06 10	14	22,5	16	23,5	0,025
6	1/4	3119 06 13	17	22	20	25	0,032
8	1/8	3119 08 10	14	22,5	16	24	0,028
8	1/4	3119 08 13	17	22	20	27,5	0,036

Maximum tightening torque
for 3118 range

Thread	M5	1/8"	1/4"	3/8"
m. da N	0,1	0,4	0,5	0,6

Maximum length of thread
for 3118 and 3119



C	M5	1/8	1/4	3/8
E	3,5	5	8	9