

GEORG FISCHER +GF+ Piping Systems



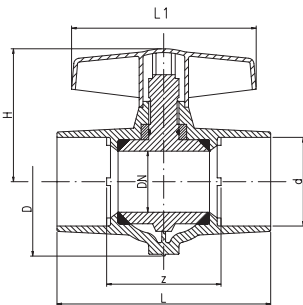
Datasheet

Industry, PVC-U ISO/DIN, Hand-Operated Valves, Ball Valves, Ball Valves Coloro Type 353, PVC-U, with solvent cement sockets, ISO/DIN, EPDM

Model:

- Lever blue
- Compact
- **Ball seal HD-PE / lubricant compound**
- Monobloc structure
- Actuator unit not connectable
- **only gross packagings GP are delivered**

d	DN	inch	PN	Code	SP	GP	kg
20	15	1/2	16	161 353 002	-	12	0,074
25	20	3/4	16	161 353 003	-	12	0,097
32	25	1	16	161 353 004	-	12	0,138
40	32	1 1/4	16	161 353 005	-	6	0,222
50	40	1 1/2	16	161 353 006	-	6	0,310
63	50	2	16	161 353 007	-	6	0,647



PF 2 31 149

d	z	D	L	L1	H
20	37	49	69	78	51
25	42.6	54	80.6	92	58
32	51.8	64	95.8	92	62.5
40	60.8	78	112.8	116	76.5
50	71.4	90	133.4	116	83
63	89	112	165	140	101.5

Materials: PVC-U, PVC-U

ISO 9001 certified quality management system

The technical data given are for first-hand information purposes only. They are non-binding and subject to change. Our general sales conditions apply.

© Georg Fischer Rohrleitungssysteme AG, CH-8201 Schaffhausen/Schweiz

03-30-1999

RLS SH 0499