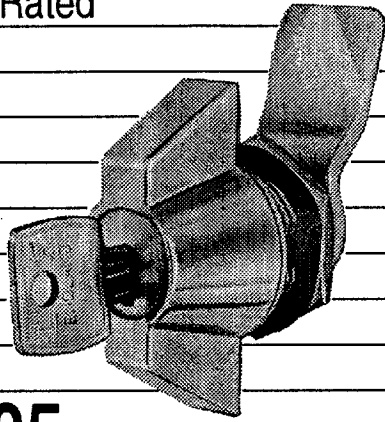
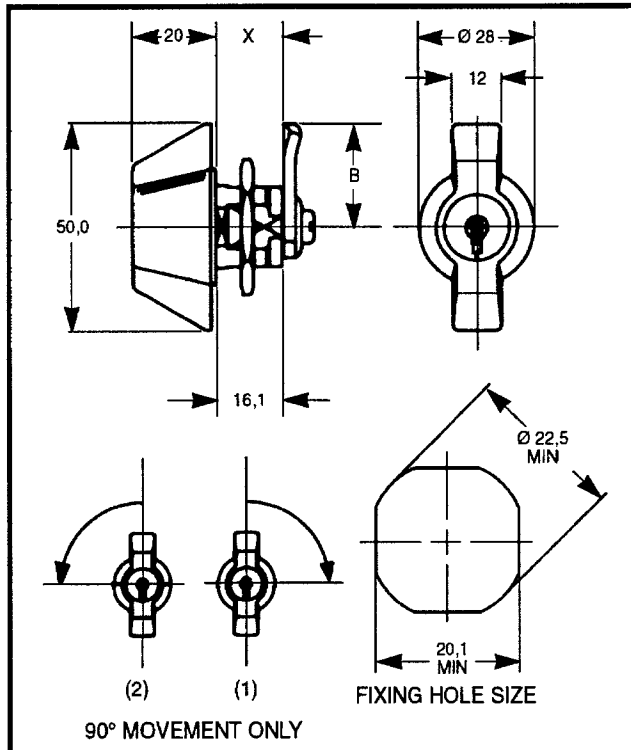


Wing Handle

IP65 Rated



0025



PRODUCT REFERENCE NUMBER

KEY SERIES	COMBINATIONS	TYPE	REFERENCE NUMBER
92 (M)	200	LOCKING	0025
A.C.E.	-	SEE PAGE 12.25	0027
-	-	NON LOCKING	0026

(M) = MASTER KEY SYSTEM: SUPPLIED TO ORDER ONLY

STANDARD FINISHES: BRIGHT CHROME
EPOXY

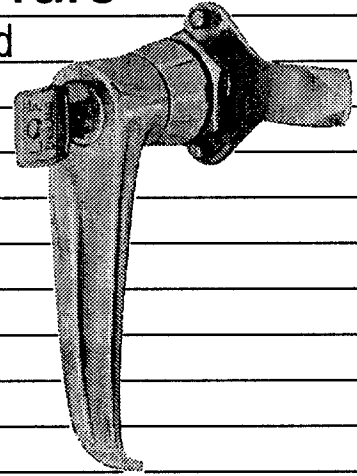
STANDARD MOVEMENTS: 1, 2

EACH LOCK IS SUPPLIED COMPLETE WITH A 0.3mm THICK NITRILE HEAD CASKET

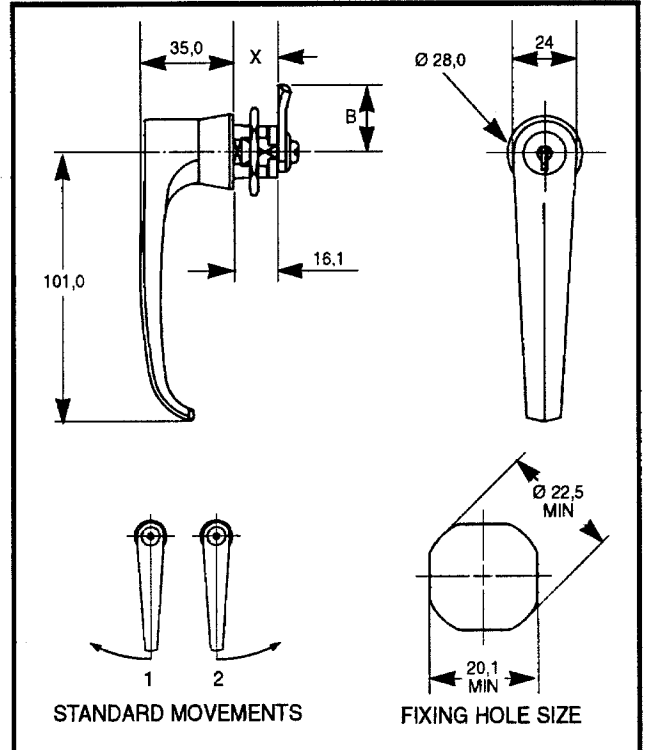
FOR DETAILS OF CAMS AND OTHER ACCESSORIES REFER TO SECTION 12

L Handle

IP65 Rated



0023



PRODUCT REFERENCE NUMBER

KEY SERIES	COMBINATIONS	TYPE	REFERENCE NUMBER
92 (M)	200	LOCKING	0023
		NON LOCKING	0024

(M) = MASTER KEY SYSTEM: SUPPLIED TO ORDER ONLY

STANDARD FINISHES: BRIGHT CHROME
EPOXY

STANDARD MOVEMENTS: 1, 2

EACH LOCK IS SUPPLIED COMPLETE WITH A 0.3mm THICK NITRILE HEAD CASKET

FOR DETAILS OF CAMS AND OTHER ACCESSORIES REFER TO SECTION 12

LOWE & FLETCHER LTD

HATTON STREET, BRADLEY, BILSTON, WEST MIDLANDS, ENGLAND WV14 0TH.
TELEPHONE 01902-353371. FAX 01902-353174.