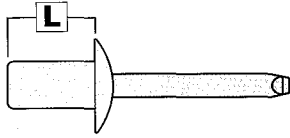


1

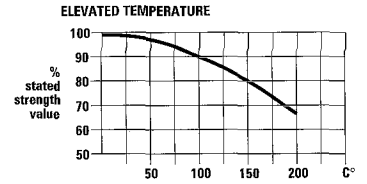
CLOSED END: DOMED HEAD

ALUMINIUM 5% MAGNESIUM ALLOY Mandrel: Carbon or Stainless Steel

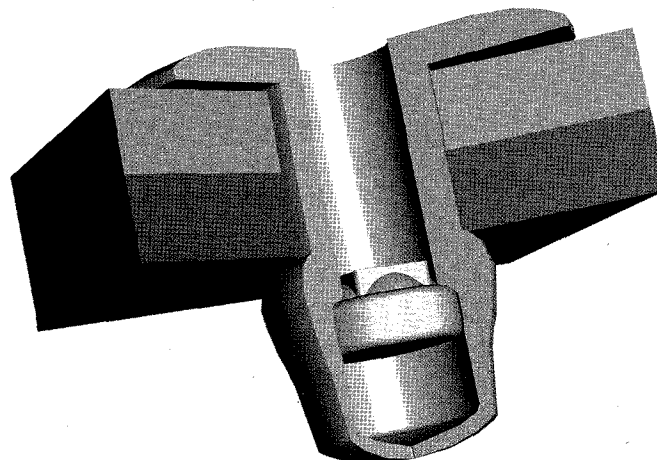
POP®



- Moisture and pressure-tight
- Guaranteed mandrel head retention
- Good hole filling for high joint integrity



NOMINAL RIVET DIAMETER	L NOMINAL		RIVET CODE CARBON STEEL MANDREL	RIVET CODE STAINLESS STEEL MANDREL						NOMINAL
mm	mm	mm			mm	mm	N	N	mm	
3.2	6.0	-1.6	AD 42 SB	AD 42 SS	3.3		1400	1110	1.63	
	7.5	1.6-3.2	AD 44 SB	AD 44 SS						
	9.0	3.2-4.8	AD 46 SB	AD 46 SS						
	11.0	4.8-6.4	AD 48 SB	AD 48 SS						
	12.5	6.4-7.9	AD 410 SB	AD 410 SS						
4.0	8.0	-3.2	AD 54 SB	AD 54 SS	4.1		2220	1640	2.18	
	9.5	3.2-4.8	AD 56 SB	AD 56 SS						
	11.0	4.8-6.4	AD 58 SB	AD 58 SS						
	12.5	6.4-7.9	AD 510 SB	AD 510 SS						
4.8	8.3	-3.2	AD 64 SB	AD 64 SS	4.9		3110	2260	2.64	
	10.0	3.2-4.8	AD 66 SB	AD 66 SS						
	11.5	4.8-6.4	AD 68 SB	AD 68 SS						
	13.0	6.4-7.9	AD 610 SB	AD 610 SS						
	14.5	7.9-9.5	AD 612 SB	AD 612 SS						
	18.0	9.5-12.7	AD 616 SB	AD 616 SS						
22.0	12.7-15.9	AD 620 SB	AD 620 SS							
6.4	13.0	-6.4	AD 84 H	-	6.5		4800	4000	3.66	
	16.0	6.4-9.5	AD 86 H	-						



CLOSED END: DOMED HEAD