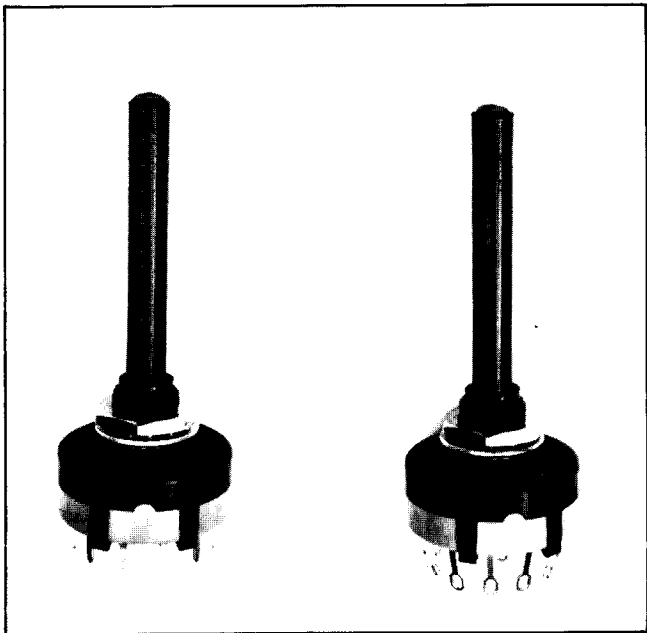


CK ROTARY SWITCHES & SECURITY LOCK SWITCHES

LORLIN



- Made in U.K.
- Moulded 27.5mm diameter single wafer switch
- Standard Indexing 30°
- Solder or printed circuit terminals
- Shorting (with 30° indexing) or non-shorting contacts
- Adjustable stop to restrict number of positions
- Special options include:- 60° or 90° indexing, continuous rotation; fixed stop, UL-V-O rated material, gold flashed or gold plated (2.5 microns gold over 2 microns nickel) contacts, spindles with special flats, slots or knurls.

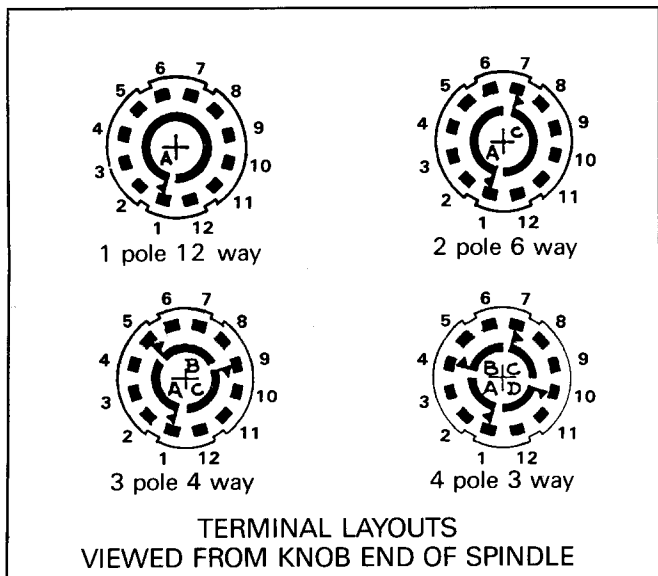
GENERAL ELECTRICAL AND MECHANICAL SPECIFICATION

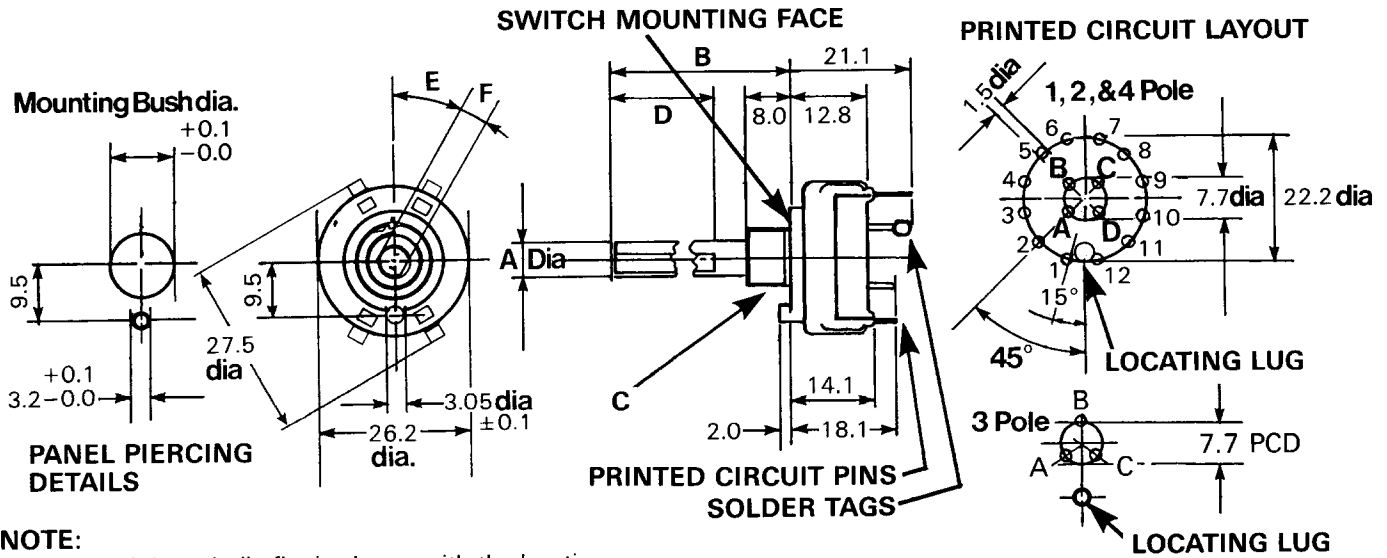
Maximum working voltage: 300V AC/DC Resistive Load.
 Proof voltage: 1,000V RMS min
 Current carrying capacity: 5A (Non-switching).
 Contact rating: 150mA 250V AC/DC.
 Insulation resistance: 25,000 Megohms min.
 Contact resistance: 50 milliohms max.
 Operating temperature: -30°C to +85°C.
 Life: Greater than 10,000 cycles.
 Operating torque (nominal) Standard 5.6 Ncm.
 Light action 2.1 Ncm.
 End stop torque (minimum) 1.13 Nm.
 Moulding material Glass filled nylon.
 Contact/terminal material: Silver plated brass.

STANDARD PART NUMBERS

BASIC TYPES	A	B	C	D	E	F
	Spindle Diameter	Spindle Length From Mounting Face	8mm long Bush	Spindle Flat Length	Angle of Spindle Flat	Spindle Flat Thickness
Imperial	6.35mm	38mm	9.52 x 32 TPI	30mm	90°	5.5mm
Metric	6.0mm	50mm	M10 x 0.75	NO FLAT	—	—

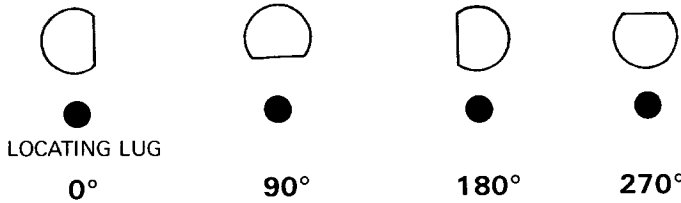
CIRCUITRY AT 30° INDEXING	STANDARD METRIC		STANDARD IMPERIAL	
	Shorting	Non Shorting	Shorting	Non Shorting
1 pole 12 positions Solder tag Printed circuit	CK1039	CK1029	CK1034	CK1024
	CK1059	CK1049	CK1054	CK1044
1 pole 12 positions Solder tag Printed circuit	NO STOP - CONTINUOUS ROTATION			
	CK1038	CK1028	CK1033	CK1023
2 pole 6 positions Solder tag Printed circuit	CK1040	CK1030	CK1035	CK1025
	CK1060	CK1050	CK1055	CK1045
2 pole 6 positions Solder tag Printed circuit	NO STOP - CONTINUOUS ROTATION			
	CK1114	CK1118	CK1120	CK1121
3 pole 4 positions Solder tag Printed circuit	CK1041	CK1031	CK1036	CK1026
	CK1061	CK1051	CK1056	CK1046
4 pole 3 positions Solder tag Printed circuit	CK1042	CK1032	CK1037	CK1027
	CK1062	CK1052	CK1057	CK1047





NOTE:
 The angle of the spindle flat is shown with the locating lug at the bottom of the switch, when the switch is set in the fully anti-clockwise position (i.e. in position 1) viewed from the knob end of the spindle.

TYPICAL SPINDLE FLAT ANGLES



MAXIMUM NUMBER OF POSITIONS (WAYS)

No of Poles \ Indexing Angle	Maximum No of Positions (ways)		
	30°	60°	90°
1	12	6	4
2	6	3	2
3	4	2	2
4	3	2	