

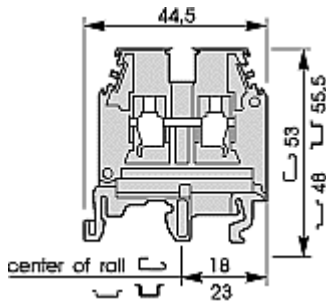
M 4/6 - 0 to 4 mm² (22 to 10 AWG), 30 Amps, 6 mm

M 4/6...

M 4/6.P...

Spacing 6 mm (.238")

Spacing 6 mm (.238")



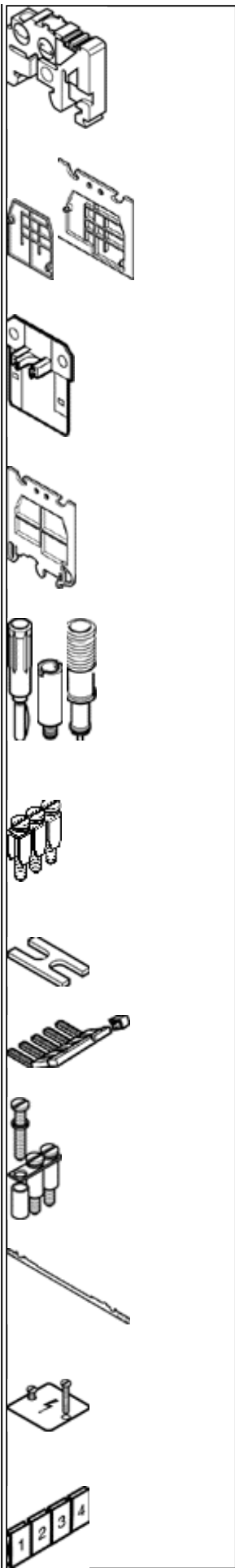
Standard 6 mm block

Terminal block for ground wire.

[View correct mounting of ground block on rail](#)

		Type	P/N	
Standard Blocks	Grey body	M 4/6	115 116.07	
	Blue body	M 4/6.N	125 116.01	
	Yellow body	M 4/6	105 116.16	
	Orange body	M 4/6	105 002.20	
	Green body	M 4/6	105 001.27	
	Red body	M 4/6	105 032.15	
	Black body	M 4/6	105 031.14	
Terminal blocks for ground wires	Green / yellow body (with rail contact)	M 4/6.P	165 113.16	
	Yellow+green body (without rail contact)	M 4/6.PI	165 275.00	
Characteristics		DIN-VDE	UL	CSA
Wire size mm² / AWG**	Solid wire	0-4	22-10 AWG	24-10 AWG
	Stranded wire	0-4		
Rated voltage	V AC / = DC	750/900 Gr.C	600	600
Rated current	A	35	30	25
Rated wire size	mm ² / AWG	4 mm ²	10 AWG	10 AWG
Wire stripping length	mm / inches	9.5 mm/.37"		
Recommended torque	Nm /lb.in	0.5-0.8 Nm/4.4-7.1 lb-in		

Accessories	Type	P/N
-------------	------	-----



End stop (all rails)		BAM	th. 9.1	103 002.26
End section	grey	FEM6	* th. 2.8	118 368.16
	blue	FEM6	* th. 2.8	128 368.10
	yellow	FEM6	th. 2.8	103 062.21
	orange	FEM6	* th. 2.8	103 126.16
	green	FEM6	* th. 2.8	103 125.15
Circuit separator	grey	SCM6	*	113 003.10
Separator end section (block)	grey	SCF6	* th.3	118 707.03
Separator end section (rail)	grey	SCFM6	th.3	114 825.05
Test socket	DIA. 2 mm	AL2(1)	*	163 043.21
	DIA. 3 mm	AL3(1)	*	163 261.00
	DIA. 4 mm	--	--	--
Test device		DCJ	* yellow	173 059.03
Test plug	DIA. 2 mm	FC2	*	007 865.26
Preassembled jumper bar <i>IP20 touchproof</i>	2 poles	BJM6(1)	*	168 516.25
	3 poles	BJM6(1)	*	168 517.26
	4 poles	BJM6(1)	*	168 518.07
	5 poles	BJM6(1)	*	168 519.00
	10 poles	BJM6(1)	*	168 973.07
Connector plate		EL6	*	173 627.21
Jumper bar not preassembled		BJS6 (1)	* 20 poles	174 784.20
Post+screw+washer		EV6	*	168 604.16
Comb-type jumper bar	10 poles	PC6	*	113 548.26
Isolating cover		EIP	*	113 550.24
Shielding connector		CBM5	* th. 0.5	178 745.14
		CBM8	* th. 0.8	178 746.15
Protection label	3 blocks	--	--	--
	Screw for protection label	4 blocks	EP6	* 163 427.17
			VSP6	* 163 433.15
See markers section		RC610 Side - RCT610 Top		