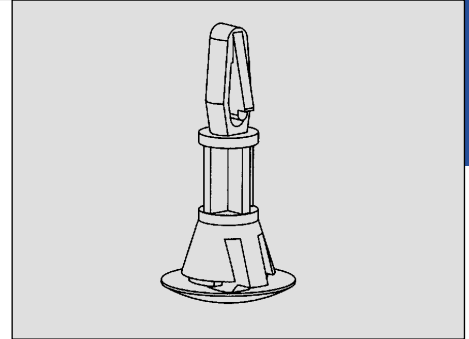
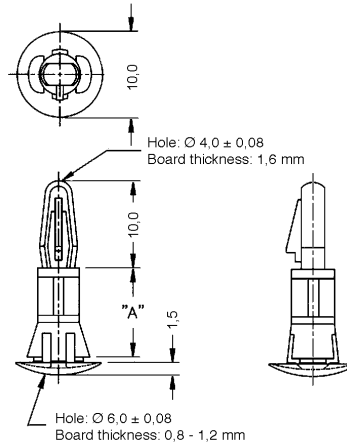


CIRCUIT BOARD HARDWARE

A

Part No.	"A" mm
CRLCBSR-3-01	4.8
CRLCBSR-4-01	6.4
CRLCBSR-5-01	7.9
CRLCBSR-6-01	9.5
CRLCBSR-8-01	12.7
CRLCBSR-12-01	19.1

Part available in black by special order.



CRLCBSR

CUPPED REVERSE LOCKING
CIRCUIT BOARD SUPPORT, ROUND HOLE

Material: Nylon 6/6 - natural; UL 94 V-2, RMS-01
or
Nylon 6/6 - natural; UL 94 V-0, RMS-19
Std. Pk.: 1.000 pcs.

Note:

CRLCBSR	5	01	B
Part	Length	Material Code	Colour