

Accessories

Cannon offers a wide selection of accessories that allow the design engineers to configure the product for their exacting needs. The accessories range from the simple actuating handle to junction and backshells, as well as polarizing posts and protective covers for the contacts.

**Actuating handles** are the same for the DL1/2/3 and DLM1/2/3 series. The DL5/DLM5 and DLM6 series have specific handles. Handles are sold separately since many applications require the connector to be attached or removed only by an authorized technician.

**Plastic junction shells** are available for the DL1/2/3 series for encasement of the crimp contacts after complete installation into the connector. These shells also make it possible for the DL to be used as a cable-to-cable mating connector as they can be used both on the plug and the receptacle. The DL1/2/3 plastic junction shells have optional secondary cable entry capability by removing the molded in cable entry plugs. Cable clamp kits are available to affix the cable to the second entry. This second entry option is very useful in applications where the large wire sizes make the cable diameter too large to be handled from a single entry port.

**Metal Backshells** are available for the entire DL/DLM series. The metal backshells are constructed from die cast aluminum with a nickel plating to facilitate in EMI/RFI shielding of the connector system. Shielding has become a driving force because of ever increasing stringent EMI/RFI regulations.



**Polarizing posts** are available to offer a keying feature for both the DL and DLM connectors. The polarizing posts can be installed in specific orientation so that plugs of the same size connectors can only be mated in predetermined receptacles. This feature offers the designer the ability to fool-proof the attachment possibilities to protect accidental damage to the system.

**Protective covers** of plastic and anti-static rubber are available to offer contact protection from physical damage or dust. Since the DL series has a high density of contacts in an exposed area, these covers are very useful for many applications. For example: where systems have multiple connectors; when the connections are often left unattached; or when the system parts are put into storage.

Accessories Selection Guide

Connector Series	Actuating Handles see page 47	Protective Covers		Metal Shell EMI/RFI Shielding see page 49	Plastic Junction Shell see page 46	Cable Clamps see page 46	Metal Backshell see pages 44-45	Polarizing Posts see page 48
		Rubber see page 47	Plastic see page 47					
DL1-156	●	●	●	-	●	●	●	●
DL2-96	●	●	●	-	●	●	●	●
DL3-60	●	●	●	-	●	●	●	●
DL4-624	-	●	-	-	-	-	-	-
DL4-1248	-	●	-	-	-	-	-	-
DL4-2496	-	●	-	-	-	-	-	-
DL5-260	●	-	-	●	-	-	●	●
DLM1-156	●	●	●	-	●	●	●	●
DLM2-96	●	●	●	-	●	●	●	●
DLM3-60	●	●	●	-	●	●	●	●
DLM5-260	●	-	-	-	-	-	●	●
DLM6-360	●	-	-	-	-	-	●	●
DL1-156	-	-	-	-	-	-	-	-
DL2-96	-	-	-	-	-	-	-	-

●Compatible  
-Not Compatible

Metal Backshell

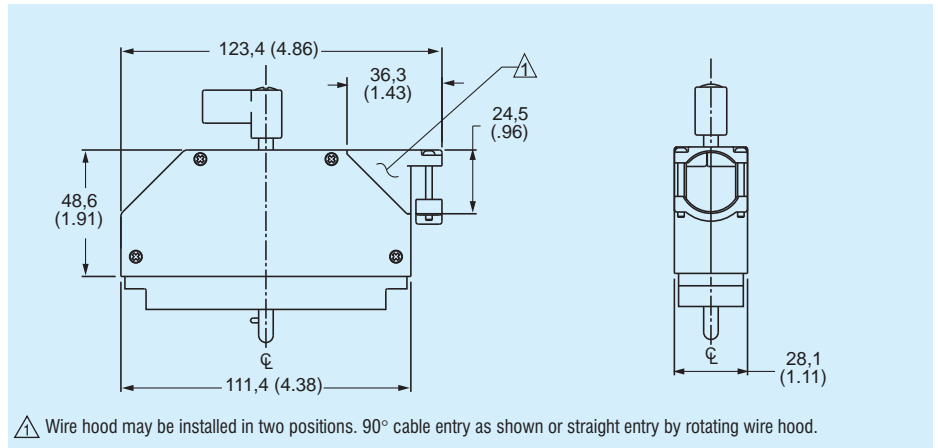
DL1, DLM1



- DL1, DLM1 is a two piece shell design.
- Kit consists of 2 shells, 10 screws, 1 wire hood, 1 wire clamp, 1 lock/open indication seal.

Materials and Finishes

Shell:	Nickel over die cast aluminum
Hardware:	Stainless Steel



Used On	Part Number	Mounting	Max Cable Entry
DL1, DLM1	249-4516-000	Straight or 90°	19,05 (.750)

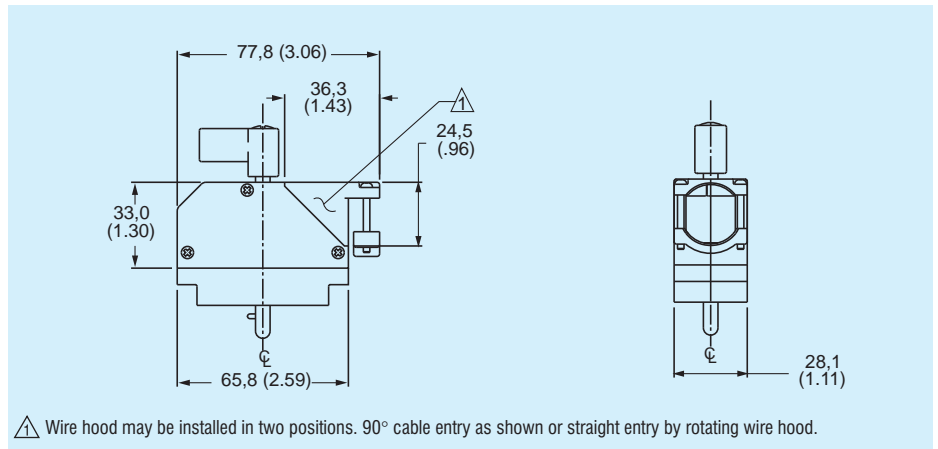
DL2, DLM2



- DL2, DLM2 is a two piece shell design.
- Kit consists of 2 shells, 9 screws, 1 wire hood, 1 wire clamp, 1 lock/open indication seal.

Materials and Finishes

Shell:	Nickel over die cast aluminum
Hardware:	Stainless Steel



Used On	Part Number	Mounting	Max Cable Entry
DL2, DLM2	249-4517-000	Straight or 90°	19,05 (.750)

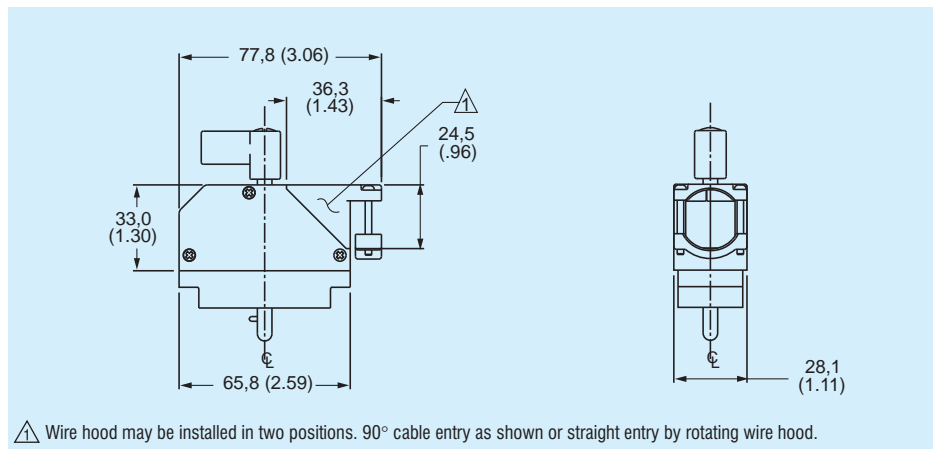
DL3, DLM3



- DL3, DLM3 is a two piece shell design.
- Kit consists of 2 shells, 9 screws, 1 wire hood, 1 wire clamp, 1 lock/open indication seal.

Materials and Finishes

Shell:	Nickel over die cast aluminum
Hardware:	Stainless Steel



Used On	Part Number	Mounting	Max Cable Entry
DL3, DLM3	249-4518-000	Straight or 90°	19,05 (.750)

Accessories

Metal Backshell

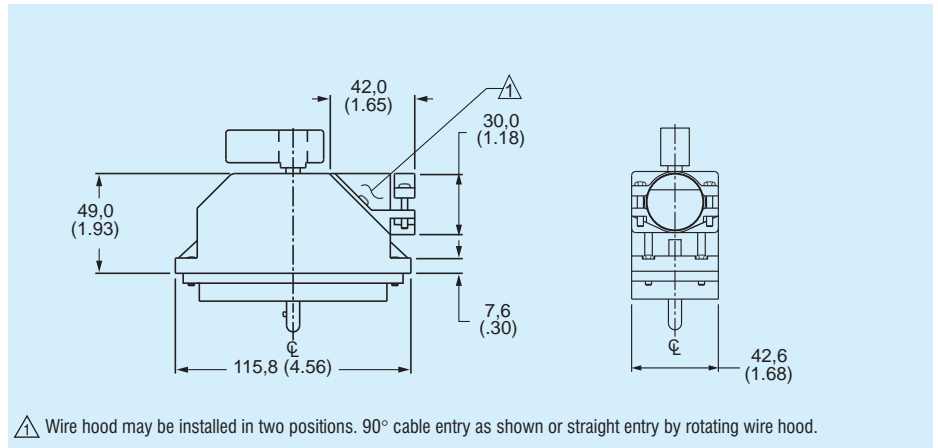
DL5, DLM5



- DL5, DLM5 is a one piece shell design.
- Kit consists of 1 shell, 8 screws, 1 wire hood, 1 wire clamp, 4 nuts.

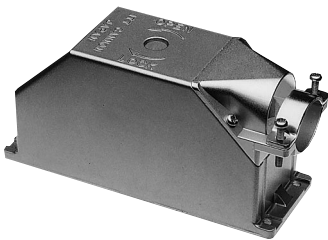
Materials and Finishes

Shell:	Nickel over die cast aluminum
Hardware:	Stainless Steel



Used On	Part Number	Mounting	Max Cable Entry
DL5, DLM5	249-4501-000	Straight or 90°	22,23 (.875)

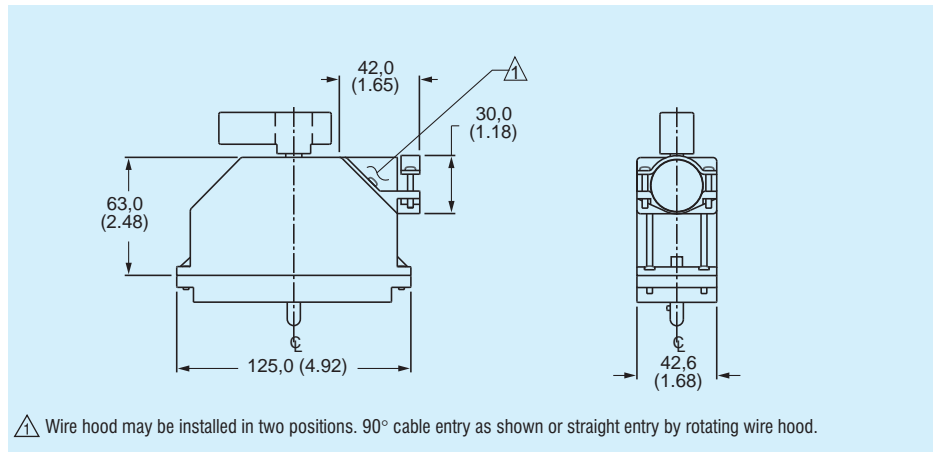
DLM6



- DLM6 is a one piece shell design.
- Kit consists of 1 shell, 8 screws, 1 wire hood, 1 wire clamp, 4 nuts.

Materials and Finishes

Shell:	Nickel over die cast aluminum
Hardware:	Stainless Steel



Used On	Part Number	Mounting	Max Cable Entry
DLM6	249-4515-000	Straight or 90°	28,00 (1.102)

Accessories