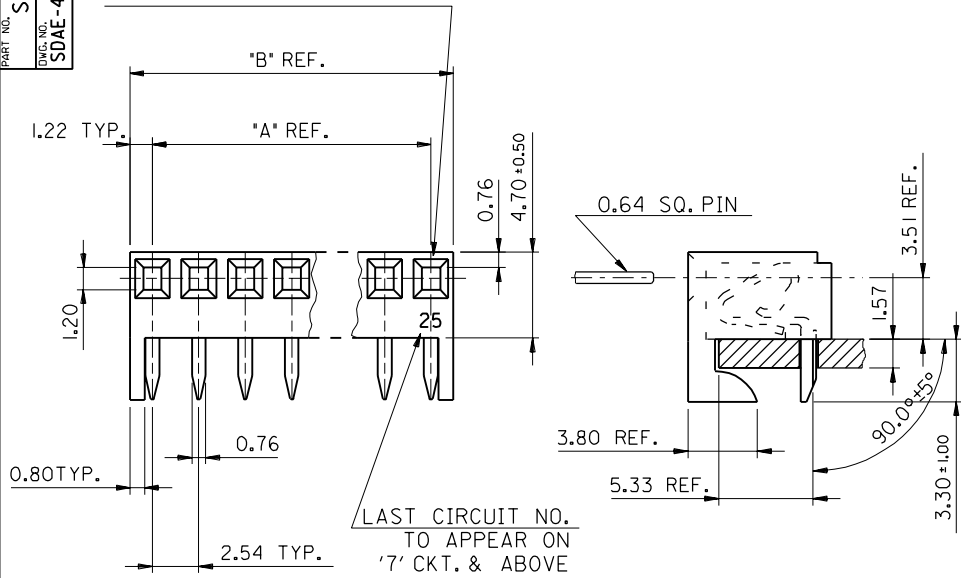
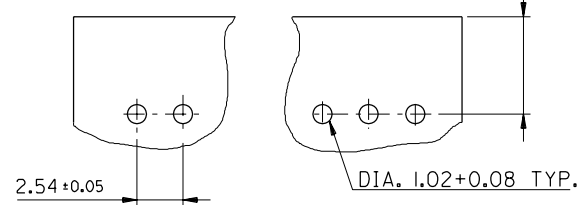
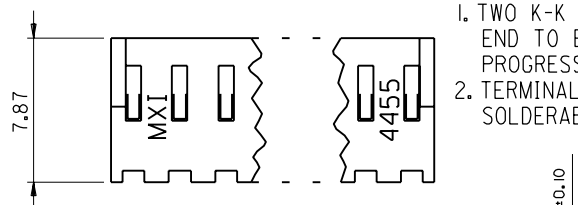


PART NO. SEE CHART
 QTY. NO. SDAE-4455C-NAAA-*

FOR VIOD LOC'N SEE SHEET 2.



- NOTES:
- TWO K-K 2.54 ASSEMBLIES MAY BE STACKED END TO END ON 2.54 CENTRE TO CENTRE PROGRESSION
 - TERMINALS MUST CONFORM TO MOLEX SOLDERABILITY SPEC. NO. 152.



RECOMMENDED P.C. BOARD LAYOUT

PART NO.	ENG. NO.	NO. OF CKTS	DIM. "A"	DIM "B"
38-00-1332	AE-4455C-2AAA	2	2.54	4.98
38-00-1333	AE-4455C-3AAA	3	5.08	7.52
38-00-1334	AE-4455C-4AAA	4	7.62	10.06
38-00-1335	AE-4455C-5AAA	5	10.16	12.60
38-00-1336	AE-4455C-6AAA	6	12.70	15.14
38-00-1337	AE-4455C-7AAA	7	15.24	17.68
38-00-1338	AE-4455C-8AAA	8	17.78	19.53
38-00-1339	AE-4455C-9AAA	9	20.30	22.76
38-00-1340	AE-4455C-10AAA	10	22.86	25.30
38-00-1341	AE-4455C-11AAA	11	25.40	27.84
38-00-1342	AE-4455C-12AAA	12	27.94	30.38
38-00-1343	AE-4455C-13AAA	13	30.48	32.92
38-00-1344	AE-4455C-14AAA	14	33.02	35.46
38-00-1345	AE-4455C-15AAA	15	35.56	38.00
38-00-1346	AE-4455C-16AAA	16	38.10	40.54
38-00-1347	AE-4455C-17AAA	17	40.64	43.08
38-00-1348	AE-4455C-18AAA	18	43.18	45.62
38-00-1349	AE-4455C-19AAA	19	45.72	48.16
38-00-1350	AE-4455C-20AAA	20	48.26	50.70
38-00-1351	AE-4455C-21AAA	21	50.80	53.24
38-00-1352	AE-4455C-22AAA	22	53.34	55.78
38-00-1353	AE-4455C-23AAA	23	55.88	58.32
38-00-1354	AE-4455C-24AAA	24	58.42	60.86
38-00-1355	AE-4455C-25AAA	25	60.96	63.40

MATERIAL: HOUSING, NYLON 94V-0. TERMINAL, PHOSPHOR BRONZE
 PLATING: HOT Sn/Pb DIP (60/40), 1.0-2.5 um

CHANGED TOLERANCE EC NO. E2001-0278 DRWN: S.FARKAS 25/09/00 CHK: / / / / APPR: / / / /	QUALITY SYMBOLS MAJOR = CRITICAL = C =	GENERAL TOLERANCES: (UNLESS SPECIFIED) mm INCH		SCALE 4 : 1	DESIGN UNITS <input checked="" type="checkbox"/> mm <input type="checkbox"/> INCH	DIMENSIONS: <input type="checkbox"/> mm <input type="checkbox"/> INCH <input checked="" type="checkbox"/> mm ONLY	SHT REV	
		4 PLACES ±0. ±. 3 PLACES ±0. ±. 2 PLACES ±0.25 ±. 1 PLACE ±0.35 ±.		DRAWN BY & DATE S.FARKAS 09/08/00	TITLE: 2.54mm KK PCBC RA VrA W/Ct Ear TnL-A			REVISE ON CAD ONLY
		ANGULAR: ± 2°		CHECKED BY & DATE E.FOLAN 14/08/00	MOLEX INCORPORATED			SHEET NO. 1 OF 2
		DRAFT WHERE APPLICABLE MUST REMAIN WITHIN DIMENSIONS		APPROVED BY & DATE MWILHITE 14/08/00				CAD FILENAME SDAE-4455C-NAAA.SOL

THIS DRAWING CONTAINS INFORMATION THAT IS PROPRIETARY TO MOLEX INCORPORATED AND SHOULD NOT BE USED WITHOUT WRITTEN PERMISSION.