

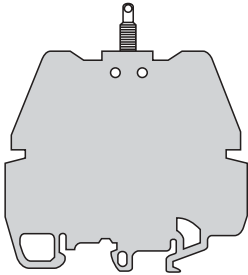
## SC Separator end section

(cont.)

### SCFCV

Allows mounting of a protective cover CPM and a marker-holder PEP.

Thickness: 3 mm .12"



#### For blocks:

MA 2,5/5 - M 4/6 - M 6/8  
M 10/10 - M 16/12 - M 35/16

**SCFCV1-2** grey **0116 795.11**

**SCFCV1-2 V0** beige **0196 795.12**

#### For blocks:

M 6/8.STA - M 6/8.SF

**SCFCV3** grey **0116 796.12**

**SCFCV3 V0** beige **0196 796.13**

#### For blocks:

M 70/22 - MB 25/30.SF - MB 10/24.SF  
M 10/12.SF - MU 10/13  
M 10/13.TSF

**SCFCV4** grey **0116 797.13**

**SCFCV4 V0** beige **0196 797.14**

#### For blocks:

M 6/8.ST

**SCFCV5** grey **0116 798.24**

**SCFCV5 V0** beige **0196 798.25**

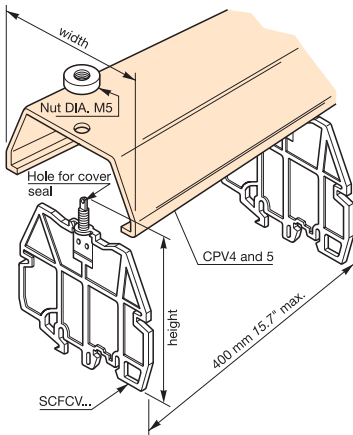
## CP Protective cover

### CPV

Protective cover of transparent PVC, length 1 m 3'3" (39") approx.

For cover mounting, place a separator end section SCFCV every 400 mm approx., at terminal assembly extremities.

It can also be used for marking the terminal unit by means of a blank marker strip RTC, which sticks under the cover.



**For separator:** SCFCV1-2  
width: 73 mm 2.87"  
length:  $\sim$  66.5 mm 2.62"  
 $\sim$  74 mm 2.91"  
 $\sim$  72 mm 2.83"

**CPV1-2** **0176 816.12**

**For separator:** SCFCV3  
width: 85 mm 3.35"  
length:  $\sim$  68.5 mm 2.70"  
 $\sim$  76 mm 2.99"  
 $\sim$  74 mm 2.91"

**CPV3** **0176 817.13**

**For separator:** SCFCV4  
width: 104 mm 4.09"  
length:  $\sim$  90.5 mm 3.56"  
 $\sim$  98 mm 3.86"  
 $\sim$  96 mm 3.78"

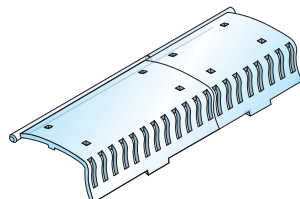
**CPV4** **0176 791.21**

**For separators:** SCFCV5  
width: 104 mm 4.09"  
length:  $\sim$  72 mm 2.83"  
 $\sim$  79.5 mm 3.13"  
 $\sim$  77.5 mm 3.05"

**CPV5** **0176 791.21**

### CPMS

20 poles divisible cover for 12 poles use.

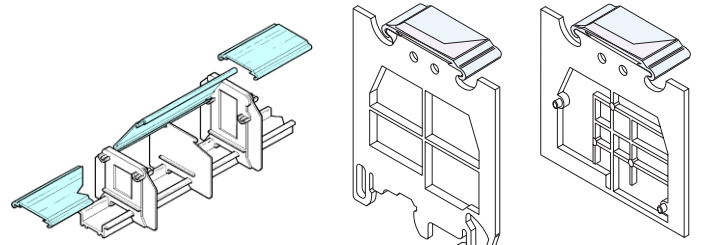


**CPMS** **0205 227.01**

### CPM

Protects the user from accidentally touching live circuits.

This cover is clipped onto the end sections (FE), onto the intermediate sections (FJ), and onto the SCF or SCFM separators. It can also be used for marking the terminal unit by means of a blank strip RTC, which slides into the cover.



Mounting on FJ... separator end sections

Mounting on a SCF circuit separator

Mounting on a SCFM circuit separator

Width 32 mm/1.26", in length of 500 mm/19.70".

<b>CPM</b>	clear	<b>0187 312.14</b>
<b>CPM</b>	beige	<b>0197 312.16</b>
<b>CPM</b>	yellow	<b>0199 405.27</b>

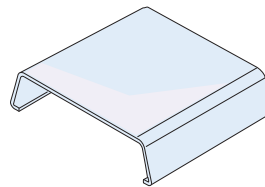
### CPP

This type of cover fits only on ECP partitions (for Type I power terminal blocks). It snaps onto the partition and increases the space by 1,5 mm .059".

For each spacing, there are 3 cover sizes, for 1, 2 or 3 blocks.

Thickness of the cover: 1,5 mm.

Spacing			
- 26 mm	1 block	<b>CPP261</b>	<b>0168 202.13</b>
	2 blocks	<b>CPP262</b>	<b>0168 201.12</b>
	3 blocks	<b>CPP263</b>	<b>0163 403.20</b>
- 31 mm	1 block	<b>CPP311</b>	<b>0168 204.15</b>
	2 blocks	<b>CPP312</b>	<b>0168 203.14</b>
	3 blocks	<b>CPP313</b>	<b>0163 409.06</b>
- 35 mm	1 block	<b>CPP351</b>	<b>0168 206.17</b>
	2 blocks	<b>CPP352</b>	<b>0168 205.16</b>
	3 blocks	<b>CPP353</b>	<b>0163 418.26</b>
- 42 mm	1 block	<b>CPP421</b>	<b>0168 208.21</b>
	2 blocks	<b>CPP422</b>	<b>0168 207.10</b>
	3 blocks	<b>CPP423</b>	<b>0163 424.14</b>



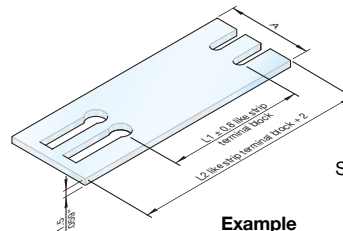
### CPTR Protecting covers for strip terminal blocks

**Characteristics** - body: Clear PVC  
- thickness: 1.5 mm

#### How to order

1	Mark the type of cover <b>CPTR</b> (table1)
2	Mark the number of contacts on the terminal block

Protecting covers	A
<b>CPTR 38 + CPTR 80</b>	<b>15</b>
<b>CPTR 716</b>	<b>18</b>
<b>CPTR 916</b>	<b>23</b>
<b>CPTR 950</b>	<b>23</b>
<b>CPTR 110</b>	<b>29</b>
<b>CPTR 143</b>	<b>34</b>
<b>CPTR 175</b>	<b>47</b>
<b>CPTR 220</b>	<b>51</b>



Screw and cross pieces are supplied.

#### Example

**CPTR 716 - 6**  
Protecting cover for US 716 with 6 poles.