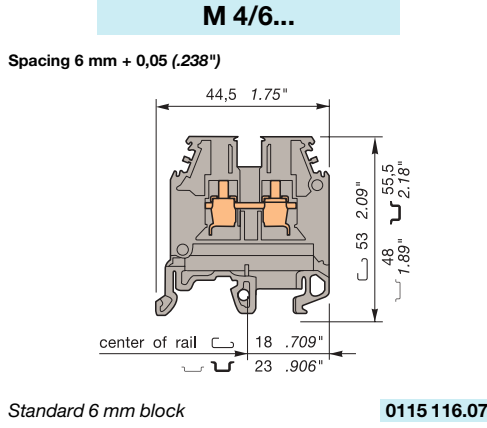


Standard terminal blocks

Compression clamp

DIN 1 - 3



Standard 6 mm block **0115 116.07**

Color	Type	Part numbers
<i>Standard blocks</i>		
Grey	M 4/6	0115 116.07
Blue	M 4/6.N	0125 116.01
Orange	M 4/6	0105 002.20
Yellow	M 4/6	0105 116.16
Green	M 4/6	0105 001.27
Red	M 4/6	0105 032.15
Black	M 4/6	0105 031.14
White	M 4/6	0105 051.20
Brown	M 4/6	0105 209.14
Violet	M 4/6	0206 404.05
Beige V0	M 4/6.V0	0195 116.00
Blue V0	M 4/6.N.V0	0199 002.26



Accessories

Image	Description	Color	Type	Part numbers
1	End section	grey	FEM6	th. 2,8 mm 0118 368.16
2	End section	blue	FEM6	th. 2,8 mm 0128 368.10
3	End section	orange	FEM6	th. 2,8 mm 0103 126.16
4	End section	yellow	FEM6	th. 2,8 mm 0103 062.21
5	End section	green	FEM6	th. 2,8 mm 0103 125.15
6	End section	white	FEM6	th. 2,8 mm 0103 312.20
7	End section	beige	FEM6 V0	V0 th. 2,8 mm 0198 368.17
8	End section	blue	FEM6 V0	V0 th. 2,8 mm 0199 302.07
9	End section	yellow	FEM6 V0	V0 th. 2,8 mm 0199 305.02
10	End section	grey	FEM61	(3) th. 3,0 mm 0114 776.23
11	End section	grey	FEM6C	(3) th. 3,0 mm 0114 777.24
12	Circuit separator	grey	SCM6	0113 003.10
13	Circuit separator	blue	SCM6	0123 003.12
14	Circuit separator	beige	SCM6 V0	V0 0193 003.11
15	Separator end section	grey	SCF6	th. 3,0 mm 0118 707.03
16	Separator end section	blue	SCF6	th. 3,0 mm 0128 707.05
17	Separator end section	beige	SCF6 V0	V0 0198 707.04
18	Separator end section	grey	SCF61	th. 3,0 mm 0114 202.25
19	Separator end section	grey	SCFM6	(3) th. 3,0 mm 0114 825.05
20	Separator end section	grey	SCFEX1	(3) th. 2,4 mm 0103 619.04
21	Separator end section	grey	SCFEX3	(3) th. 2,4 mm 0103 620.01
22	Separator end section	grey	SCFCV1-2	(3) th. 3,0 mm 0116 795.11
23	Separator end section	grey	SCFCV1-2 V0	(3)V0 th. 3,0 mm 0196 795.12
24	Protective cover	grey	CPM	(for FEM6C, SCF6(V0) and SCFM6) 0187 312.14
25	Protective cover	grey	CPV1-2	(for SCFCV1-2...) 0176 816.12
26	Test socket	grey	AL2	(1) DIA. 2 mm 0163 043.21
27	Test socket	grey	AL3	(1) DIA. 3 mm 0163 261.00
28	Test device	yellow	DCJ	0173 059.03
29	Test plug	grey	FC2	DIA. 2 mm 0007 865.26
30	Test plug	grey	FC4	DIA. 4 mm 0167 860.01
31	Assembled jumper bar (without IP20 protection)	32 A	BJM6	(1) 2 poles 0168 516.25
32	Assembled jumper bar (without IP20 protection)	32 A	BJM6	(1) 3 poles 0168 517.26
33	Assembled jumper bar (without IP20 protection)	32 A	BJM6	(1) 4 poles 0168 518.07
34	Assembled jumper bar (without IP20 protection)	32 A	BJM6	(1) 5 poles 0168 519.00
35	Assembled jumper bar (without IP20 protection)	32 A	BJM6	(1) 10 poles 0168 973.07
36	Assembled jumper bar (with IP20 protection)	32 A	BJMI6	(1) 2 poles 0176 663.00
37	Assembled jumper bar (with IP20 protection)	32 A	BJMI6	(1) 3 poles 0176 664.01
38	Assembled jumper bar (with IP20 protection)	32 A	BJMI6	(1) 4 poles 0176 665.02
39	Assembled jumper bar (with IP20 protection)	32 A	BJMI6	(1) 5 poles 0176 666.03
40	Assembled jumper bar (with IP20 protection)	32 A	BJMI6	(1) 10 poles 0176 667.04
41	Jumper bar not assembled	32 A	BJS6	(1) 20 poles 0174 784.20
42	Post + screw + washer	32 A	EV6	0168 604.16
43	Connector plate	35 A	EL6	0173 627.21
44	Screwless jumper bar orange IP 20	32 A	BJE6.2	(4) 2 poles 0299 694.04
45	Screwless jumper bar orange IP 20	32 A	BJE6.3	(4) 3 poles 0299 695.05
46	Screwless jumper bar orange IP 20	32 A	BJE6.4	(4) 4 poles 0299 696.06
47	Screwless jumper bar orange IP 20	32 A	BJE6.5	(4) 5 poles 0299 697.07
48	Screwless jumper bar orange IP 20	32 A	BJE6.10	(4) 10 poles 0299 702.14
49	Jumper	32 A	BJB	0199 466.23
50	Pivoting jumper bar	35 A	BJP6	(1) 0174 413.14
51	Alternated jumper bar	35 A	BJA6	(1) 10 poles 0116 541.12
52	Universal jumper bar	50 A	BJDP1	(1)(2) spacing 6 <-> spacing 16 0179 623.03
53	Universal jumper bar	70 A	BJDP3	(1)(2) spacing 6 <-> spacing 12 0179 625.05
54	Universal jumper bar	50 A	BJDP4	(1)(2) spacing 6 <-> spacing 8 or 10 0174 781.25
55	Comb-type jumper bar	35 A	PC6	(4) 2 poles 0113 546.14
56	Comb-type jumper bar	35 A	PC6	(4) 10 poles 0113 548.26
57	Insulating tip		EIP	0113 550.24
58	Shield connector		CBM5	th. 0,5 mm 0178 745.14
59	Shield connector		CBM8	th. 0,8 mm 0178 746.15
60	Protection label		EP6	4 blocks 0163 427.17
61	Screw for protection label		VSP6	0163 433.15
62	Protection label		EPU6	0107 038.25
63	IDC jumper		AD2,5	0114 205.20

Test connector : See Accessories section

End stop	th. 9 mm	BADL V0	0199 408.02
End stop	th. 9,1 mm	BAM	0103 002.26
Rail	35 x 7,5 x 1	PR30 prepunched	0173 220.05
Rail	35 x 15 x 2,3	PR4	0168 500.12
Rail	35 x 15 x 1,5	PR5 prepunched	0101 598.26
Rail	32 x 15 x 1,5	PR1Z2	0163 050.04

Other end stops and rails : See Accessories section

Characteristics

Wire size	IEC		UL	CSA
	NFC	DIN		
Compression Solid wire	0,2-4 mm ²		24-10 AWG	24-10 AWG
clamp Stranded wire	0,22-4 mm ²		24-10 AWG	24-10 AWG

Voltage			
Rated	800 V	600 V	600 V
Pulse	8 kV		
Pollution degree	3		

Current			
Rated	32 A	30 A	25 A

Wire size			
Rated / Gauge	4 mm ² / A4	10 AWG	10 AWG

Wire stripping length	Recomm. Screwdriver	Recomm. torque	Protection
9,5 mm	4 mm	0,5-0,8 Nm	IP 20
.37"	.157"	4,4-7 lb.in.	NEMA 1

Notes

The use of some accessories may decrease the block's voltage rating. For more information, consult us.

BJDP1 permits the interconnection with a terminal block series "M" spacing 16 mm.

BJDP3 permits the interconnection with a terminal block series "M" spacing 12 mm.

BJDP4 permits the interconnection with a terminal block series "D" spacing 8 mm or a terminal block series "M" spacing 8 or 10 mm.

R See section on markers method (1) (2)
 Note : (1) A circuit separator SC may be required with the use of these accessories.
 (2) See "Notes". (3) End sections and separators snapped on rails.
 (4) See section : "Accessories" for other configurations of poles.