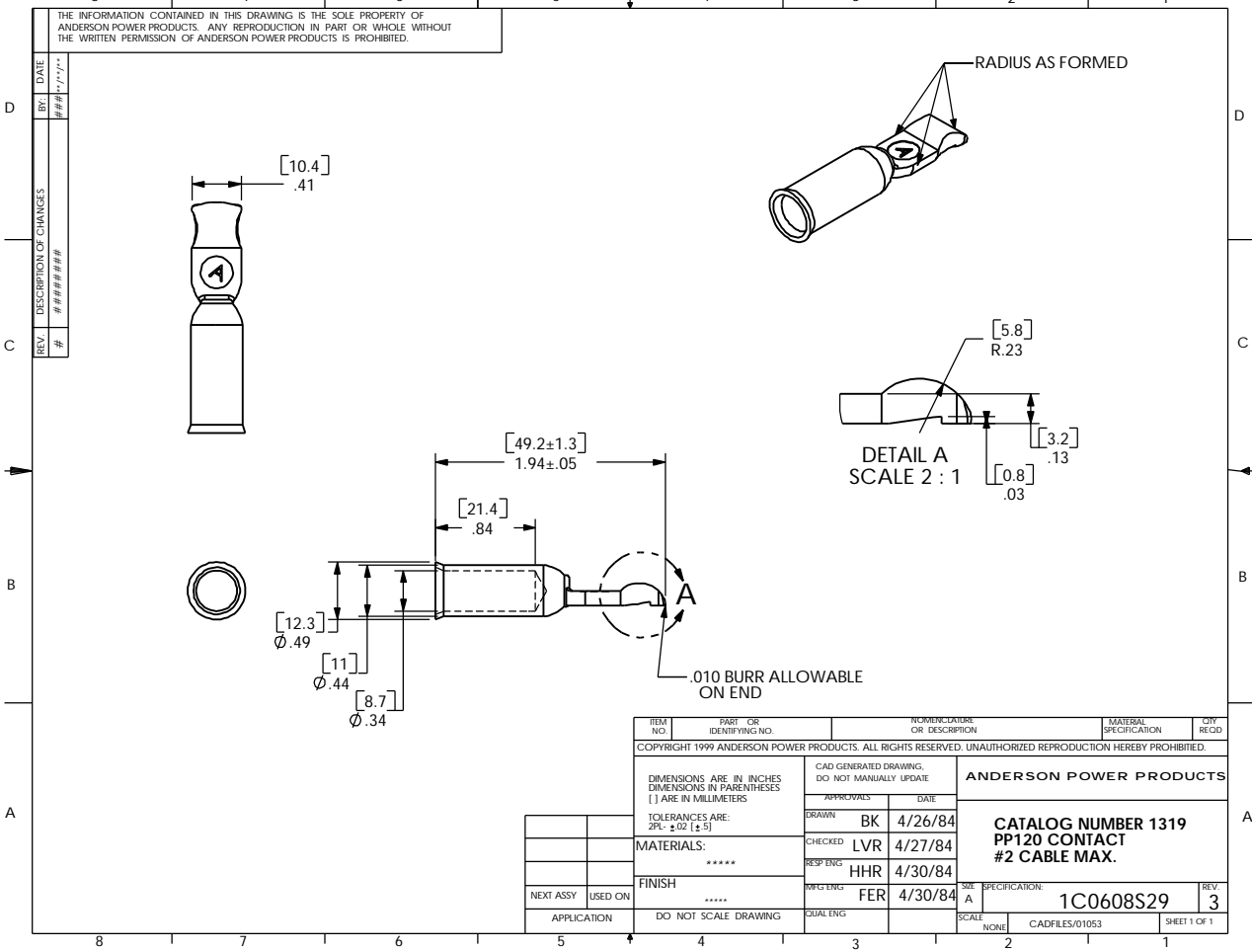


THE INFORMATION CONTAINED IN THIS DRAWING IS THE SOLE PROPERTY OF ANDERSON POWER PRODUCTS. ANY REPRODUCTION IN PART OR WHOLE WITHOUT THE WRITTEN PERMISSION OF ANDERSON POWER PRODUCTS IS PROHIBITED.



REV #	DATE	DESCRIPTION OF CHANGES

ITEM NO.	PART OR IDENTIFYING NO.	NUMERICAL OR DESCRIPTION	MATERIAL SPECIFICATION	CITY
COPYRIGHT 1999 ANDERSON POWER PRODUCTS. ALL RIGHTS RESERVED. UNAUTHORIZED REPRODUCTION HEREBY PROHIBITED.				
DIMENSIONS ARE IN INCHES DIMENSIONS IN PARENTHESES ( ) ARE IN MILLIMETERS		CAD GENERATED DRAWING. DO NOT MANUALLY UPDATE		
TOLERANCES ARE: 2PL- $\pm .02$ [ $\pm .5$ ]		ANDERSON POWER PRODUCTS		
MATERIALS: *****		CATALOG NUMBER 1319 PP120 CONTACT #2 CABLE MAX.		
FINISH *****		SPECIFICATION: 1C0608S29		
APPLICATION		REV. 3		
DO NOT SCALE DRAWING		SCALE NONE		
NEXT ASSY		CADFILES/01053		
USED ON		SHEET 1 OF 1		