

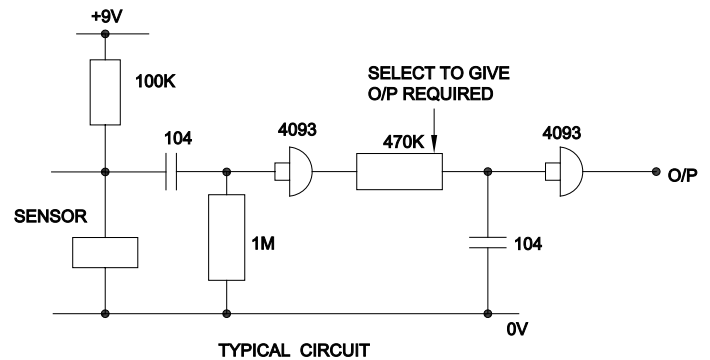
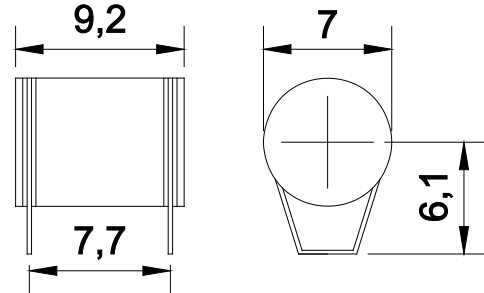
Motion Sensor - Non Mercury - Normally Closed Contacts
Part Number : VS 801P
Product Data Sheet

PICTURE



DIMENSIONS

Drawings not to scale
 All dimensions in mm nominal



✓ RoHS Compliant

SPECIFICATION

Contact Form / Style	Normally Closed	
Switching Voltage	Max Volts DC	9
Operating Temperature	Max Celcius	80°
Contacts	Gold plated	
Case Material	Plastic	
Activation Direction	Omni-directional	

Applications Include

- Vibration Alarm System.
- Electronic toys .
- Security system switch.
- Consumer electronics.

Features

- Will detect contact closure or contact change sufficient to trigger and I.C
- Suitable for Alarms and non hazardous applications.
- All switches have gold plated ball and gold plated terminals for stability

Rev. No.	Revision Note	Date	Signature
1	Datasheet	24-02-12	ML

As part of the company policy of continued product improvement, specifications may change without notice. Our sales office will be pleased to help you with the latest information on this product range and the details of our full design and manufacturing service. All products are supplied to our standard conditions of sale unless otherwise agreed in writing.

Phone : (1)973 777 6900 www.comus-intl.com Fax: (1)973 777 8405