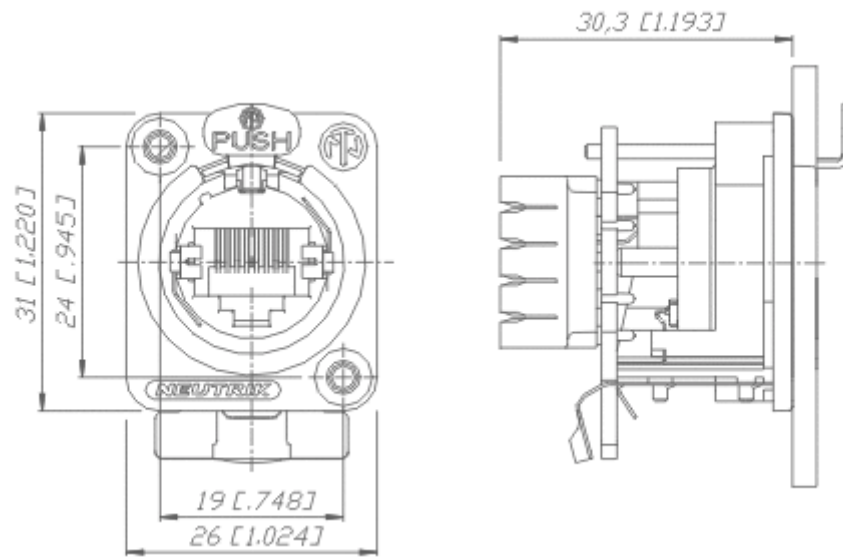




### NE8FDV-YK

Panel mount receptacle with IDC terminals. D-sized metal flange with the secure latching system. Max. panel thickness 3 mm.



### RJ45 Data Connectors / EtherCon Series

The EtherCon Series offer both male cable carriers and assembled female receptacles. The cable end offers a robust diecast shell as a carrier for pre-assembled RJ45 plugs. Female chassis connectors are based on the current NEUTRIK® "A & B" Series as well the "D" Series of XLR receptacles with secure latching system - a feature not found on other RJ45 receptacles. Terminations are horizontal and vertical PCB or IDC, punch down. Color coding is available for both the cable carrier and the receptacles for ease of identification. NEUTRIK® EtherCon products comply with Category 5 (IDC versions) shielded or unshielded and are compatible for use with 10 Base-T and 100 Base-TX systems.

#### TECHNICAL DATA

##### Electrical (Receptacle)

TIA/EIA Rating: Cat 5 compliant  
Number of contacts: 8 Rated current: 1.5 A  
Dielectric strength: 1000 V ac rms  
Contact resistance: < 10 m  
Insulation resistance: > 500 M

##### Electrical (Connector)

Specs depend on type of used RJ45 plug.

##### Mechanical

Retention method: latch lock (receptacle)  
Life time: > 1000 mating cycles (connector)

##### Materials (Receptacle)

Housing: PA 6 30% GR Contacts: CuSn6  
Contact surface: gal 0.2 µm Au

##### Materials (Connector)

Housing: ZnAl4Cu1, gal Ni or black Cr  
Strain relief clamp: POM  
Bushing: PA 6 15% GR  
Boot: PA 6  
Temperature range: -30°C to +80°C