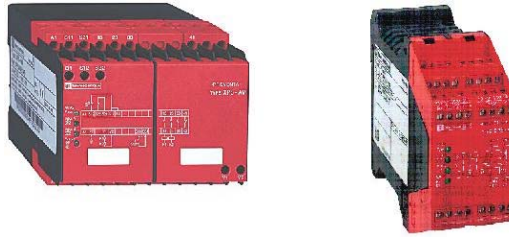




### XPS-AM Replaced by XPS-AK



#### Differentiation

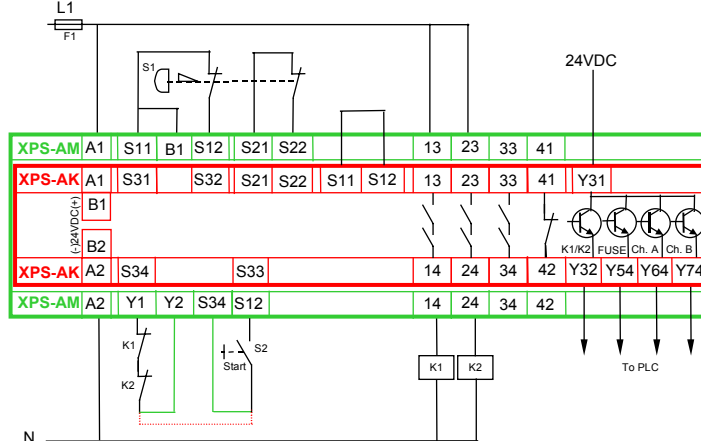
- XPS-AK has 4 solid state output for PLC signalling
- XPS-AK has choice of removable plug terminals
- XPS-AK has 45mm width
- XPS-AM can be used for Type III A two-hand control monitoring



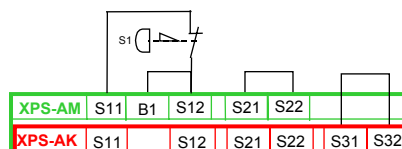
### XPS-AM Replaced by XPS-AK

#### Schematic Comparison

Monitoring of E-stop with 2N/C contacts



Monitoring of E-stop with 1N/C contact

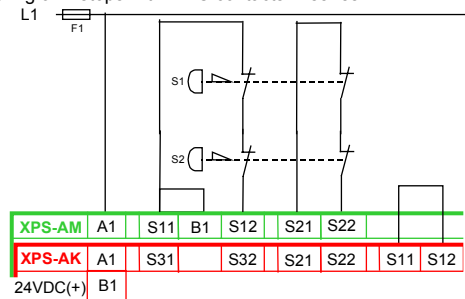




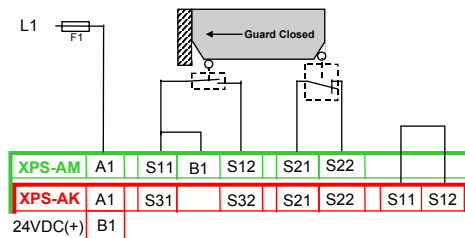
## XPS-AM Replaced by XPS-AK

### Schematic Comparison

Monitoring of E-stops with 2N/C contacts in series



Monitoring of a movable guard associated with 2 limit switches with 1 contact each



## XPS-AM Replaced by XPS-AK

### Cross Reference Table

Supply Voltage	Obsolete Reference	Existing Reference *
24VAC/DC	XPS-AM5140	XPS-AK311144
48VAC/DC	XPS-AM5340	-
120VAC	XPS-AM3440	XPS-AK351144
230VAC	XPS-AM3740	XPS-AK371144

\*add P to reference for removable plug terminals