

För icke direkt toleranssatta mått gäller toleransklass
General tolerances if not otherwise stated

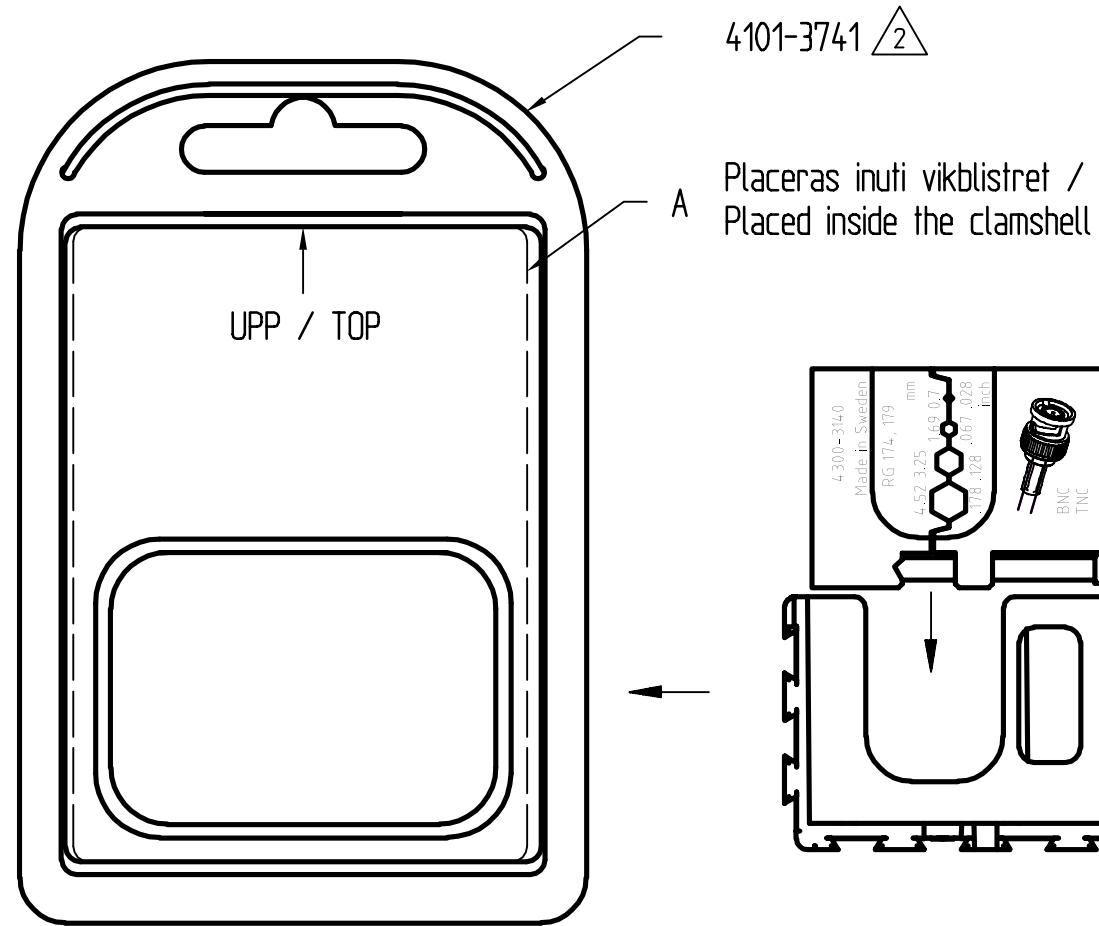
NOM DIM MM		TOL CLASS		
From	To	A	B	C
(1)	6	±0.05	±0.1	±0.2
(6)	30	±0.1	±0.2	±0.5
(30)	100	±0.15	±0.3	±0.8
(100)	300	±0.2	±0.5	±1.2
(300)	1000	±0.3	±0.8	±2

Hål / Holes H13

Skarpa kanter brutna där ej annat anges.
No sharp edges unless otherwise specified.

Övriga generella toleranser enligt ritning 4100-4644.
Additional general tolerances in accordance with drawing 4100-4644.

Den här ritning är Pressmaster AB:s egendom. Skyddad av gällande lag.
This drawing is the property of Pressmaster AB. Protected in accordance with prevailing law.



Rev	Change order	Change: A = Added W = Was D = Deleted	Date	Sign
2	1021244000	4101-3741 W 4101-2949 A 4300-3140/AAB 4101-3747J 4101-3568E ÄNDRAD/CHANGED	041118	SE

Pressback kompl. placeras i
hållaren vid packning/
Die Compl. placed in
holder when packaging

Tolkmått / Gauge dimensions (mm)		
URTAG NEST	Gåtolk GO	Stopptolk NO GO
SQR 0.7	Ø0.67	Ø0.73
Hex 1.69	Ø1.64	Ø1.74
Hex 3.25	Ø3.20	Ø3.30
Hex 4.52	Ø4.47	Ø4.57

$\triangle 2$	4300-3140/AAB	4101-3747 J	4101-3490
	4300-3140/AAA	4101-3568 E	4101-3490
	ART.NR.VAR.	A	B

Material		Behandling/Treatment			Status	
Konstr./Design TGW	Ritad/Drawn TGW	Datum/Date 2004-11-18	Skala/Scale 1:1	Kontr./Checked	Godk./Approved	Anne/Blank PreLut.
pressmaster [®]				Vikt/Weight,gram		Art grp 011
REG NR FM367				Ritn nr./Drawing no 43003140		REV 002
PRESSBACK DIE SET						