



RS stock numbers : 492-8952, 492-8968, 492-8980



Continuous Output level transducer - SSF67V

This transducer will give an output of 4-20mA over a measuring span of up to 2500mm. The output changes from 4 mA at low level to 20 mA at high level.

The transducer is top mounting, via a screwed entry, has a brass or stainless steel shaft and either a stainless steel or foamed float, and is normally installed from outside the tank. Volt free reed switches and resistors are mounted in the stem, to provide a varying resistance, as the float rises or falls, which is then converted into a 4 to 20mA stepped output.

MECHANICAL

IP 65 enclosure in die cast Aluminium Alloy, hard anodised or polyester finish, with Nitrile O-ring and M20x1.5 conduit entry.

Stem assembly in Brass or Stainless Steel, fully silver soldered or TIG welded construction

Screwed entry mounting G1.0" to G2.5"

Float can be constructed in either Stainless Steel 316L, High temperature plastic foam or D300 closed cell PVC

Maximum Process Temperature 100 C

Maximum Ambient Temperature 70 C

Minimum high level 70mm

Maximum measurement span 2500mm

Standard 9mm stepped accuracy

ELECTRICAL

Output 4 to 20mA. 4 mA can be either High or Low

Input supply required is 15 to 30 Vdc

Can be connected to analogue or digital displays

STANDARDS AND APPROVALS

This design is tested to and meets the following standards:

DEFSTAN 59-41 Iss.4 :1992

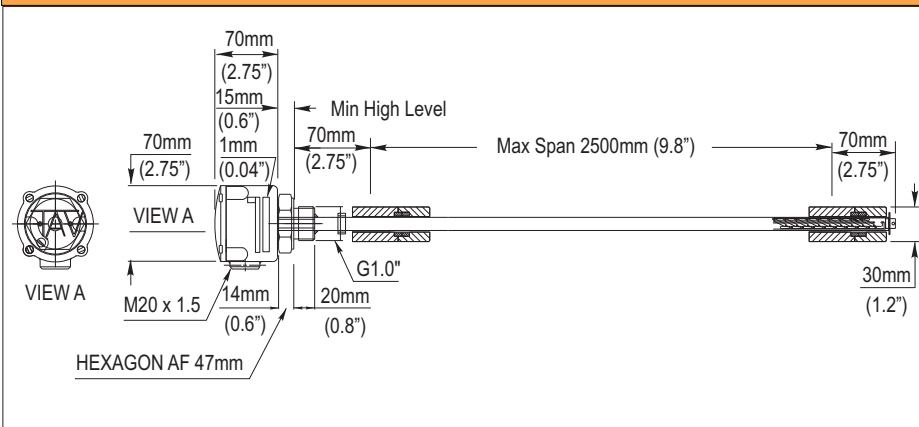
BS1597 : 1995

2&3 EN50081-1 :1992

EN50082-1 : 1992

Standard parts		Upper	Measuring		Float
RS Stock no.	Cynergy3 no.	level	span	Thread	material
492-8952	SSF67V70S500	70mm	500mm	G1"	D300 PVC Foam
492-8968	SSF67V70S1000	70mm	1000mm	G1"	D300 PVC Foam
492-8980	SSF67V70S1500	70mm	1500mm	G1"	D300 PVC Foam

OUTLINE DIMENSIONS



- 4-20mA Transducer for safe area use
- Max Process Temp 100C
- Maximum span 2500mm
- Standard 9mm stepped accuracy
- Standard screw entry G1.0" to G2.5"

Cynergy3 Components Ltd
7 Cobham Road
Ferndown Industrial Estate
Wimborne
Dorset BH21 7PE
Tel: +44 (0) 1202 897969

sales@cynergy3.com

ISO 9001 CERTIFIED

www.cynergy3.com

© 2011 Cynergy3 Components, All Rights Reserved. Specifications are subject to change without prior notice. Cynergy3 Components and the Cynergy3 Components logo are trademarks of Cynergy3 Components Limited.

SSF67V2011RS