

Power Rocker Switches

DESCRIPTION

Issued 02/04

1654929

- Full line of single or double-pole power rocker switches for three different industry compatible panel cut-out sizes



Series PRE
19.4 [.76] x 22.2 [.87]
Panel Cut-out



Series PRF
22.2 [.87] x 30.2 [1.19]
Panel Cut-out



Series PRG
11.2 [.44] x 30.2 [1.19]
Panel Cut-out

APPLICATIONS

- | | | | |
|--|--|---|--|
| <ul style="list-style-type: none"> • Vacuums • Power Tools • Floor Care Equipment • Small Appliances • Lighting | <ul style="list-style-type: none"> • Saunas • Instrumentation • Medical Equipment • Lawn Equipment • Power Strips | <ul style="list-style-type: none"> • Ranges • Vent Hoods • Office Equipment • Welding Equipment | <ul style="list-style-type: none"> • Industrial Control Panels • Industrial Machinery • Industrial HVAC |
|--|--|---|--|

ELECTRICAL

- | | |
|--|---|
| <ul style="list-style-type: none"> • Current: <ul style="list-style-type: none"> PRF Series Double Pole and PRG Series:
16A@125 VAC
10A@250 VAC PRE Series Double Pole:
10A@125 VAC
6A@250 VAC | <ul style="list-style-type: none"> • Inrush Current: up to 80A • Contact Resistance (initial): <50m Ohms • Dielectric Strength (initial): >1500 VAC, 1 min. • Insulation Resistance (initial): >100Mohms min. • Electrical Life Endurance: >10.000 |
|--|---|

MECHANICAL

- Operating Life Endurance: up to >100.000 cycles

MATERIALS

- | | |
|--|--|
| <ul style="list-style-type: none"> • Housing: Nylon 6/6 UL 94V-2 • Rocker: Nylon 6/6 UL 94V-2 or Polycarbonate UL 94V-2 • Contact: Silver-tin Oxide | <ul style="list-style-type: none"> • Terminals, Active contactor: Silver plated copper alloy • Plunger: Nickel plated copper alloy • Spring: Steel Wire |
|--|--|

STANDARDS & SPECS

- UL, CSA, VDE, ENEC

FOR MORE INFORMATION

Technical Support

Contact your local Tyco Electronics Support / Sales Office

Internet: <http://www.tycoelectronics.com>

new product

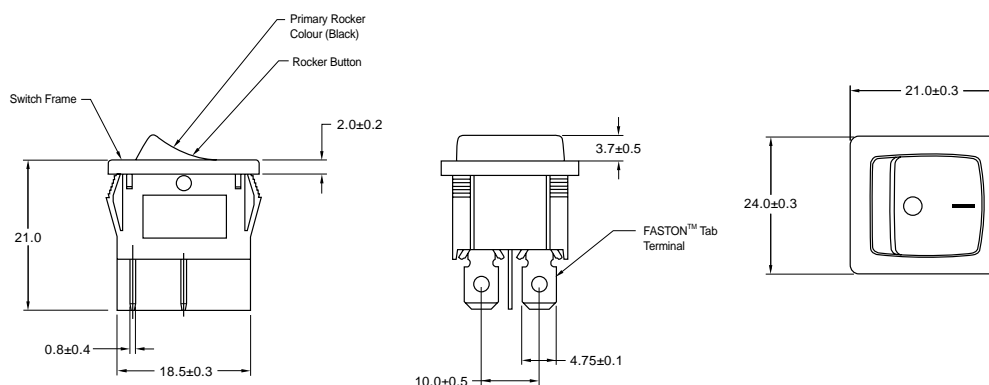
Series PRE

19.4 [.76] x 22.2 [.87] Panel Cutout

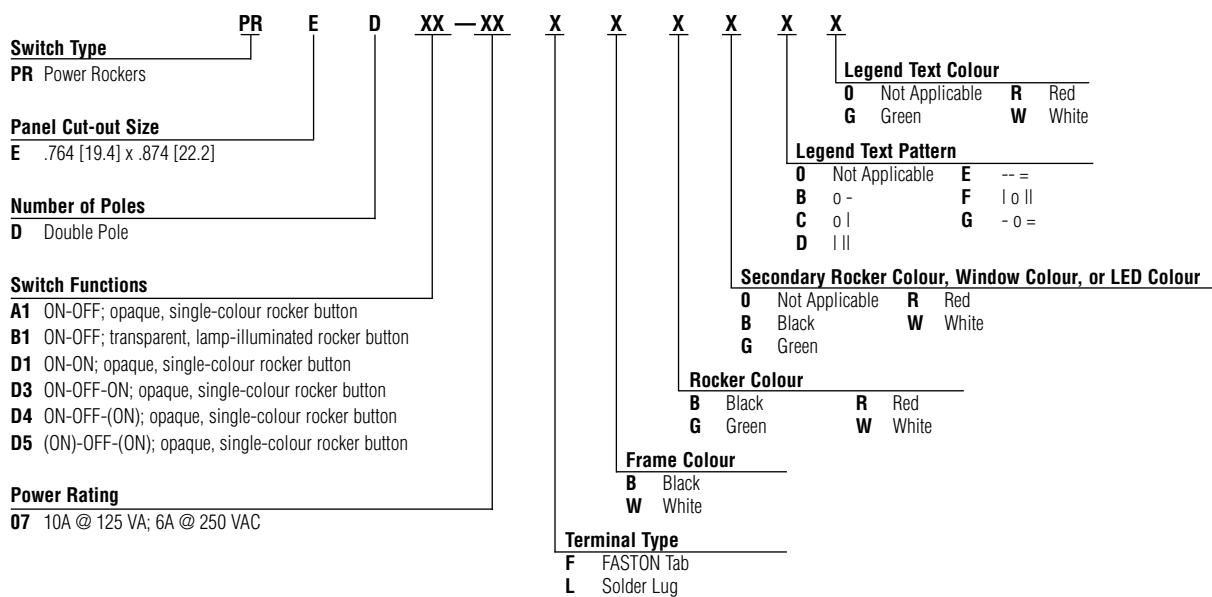
FEATURES & BENEFITS

- Easy to install snap-in mounting
- Dust resistant
- Dual colour rocker option
- Full-illuminated rocker option
- LED or incandescent window illuminated option
- Wide range of marking options and functions available
- Solder lugs or .187 FASTON Tab terminals
- Cost competitive

PRODUCT DIMENSIONS



ALCOSWITCH PART NUMBER



PRODUCT OFFERING

Part Numbers	
Alcoswitch	Tyco Electronics
PREDA1-07F-BB000	0-1634200-1
PREDA1-07F-BB0BW	0-1634200-2
PREDA1-07F-BB0CW	0-1634200-3
PREDA1-07L-BB000	0-1634200-4
PREDA1-07L-BB0BW	0-1634200-5
PREDA1-07L-BB0CW	0-1634200-6
PREDB1-07F-BR000	0-1634200-7
PREDB1-07L-BR000	0-1634200-8
PREDB1-07F-BG000	0-1634200-9
PREDB1-07L-BG000	1-1634200-0
PREDD1-07F-BB000	1-1634200-1
PREDD1-07F-BB0DW	1-1634200-2
PREDD1-07F-BB0EW	1-1634200-3

Part Numbers	
Alcoswitch	Tyco Electronics
PREDD1-07L-BB000	1-1634200-4
PREDD1-07L-BB0DW	1-1634200-5
PREDD1-07L-BB0EW	1-1634200-6
PREDD3-07F-BB0FW	1-1634200-7
PREDD3-07F-BB0GW	1-1634200-8
PREDD3-07L-BB0FW	1-1634200-9
PREDD3-07L-BB0GW	2-1634200-0
PREDD4-07F-BB000	2-1634200-1
PREDD4-07F-BB0FW	2-1634200-2
PREDD4-07F-BB0GW	2-1634200-3
PREDD5-07F-BB000	2-1634200-4
PREDD5-07F-BB0FW	2-1634200-5
PREDD5-07F-BB0GW	2-1634200-6