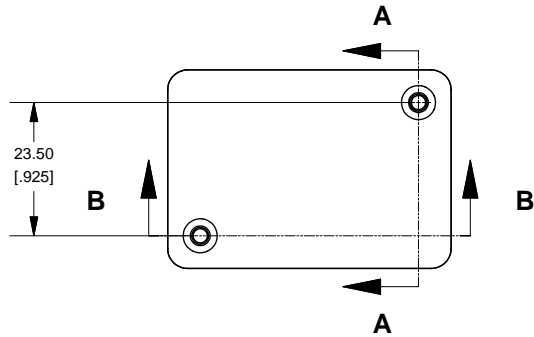


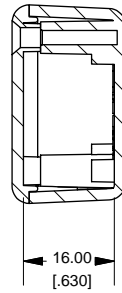
2

1

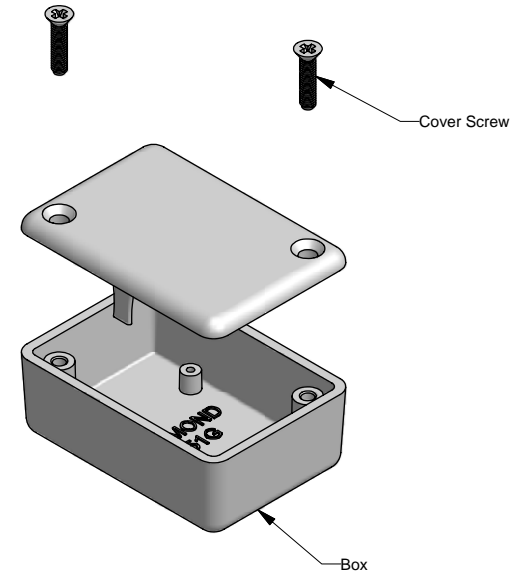
### Top View of Assembly



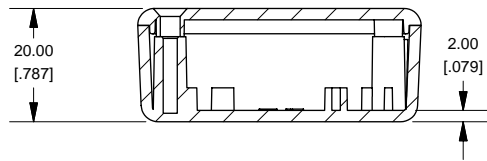
### SECTION A-A End View of Assembly



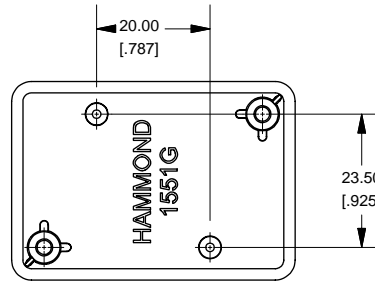
## 1551G (Basic)



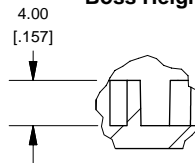
### SECTION B-B Side View of Assembly



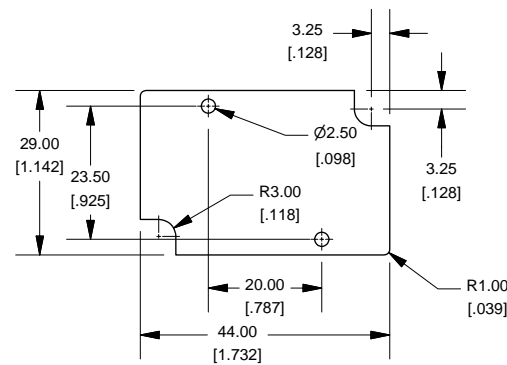
### Top View Looking Inside Box



### SECTION C-C Boss Heights

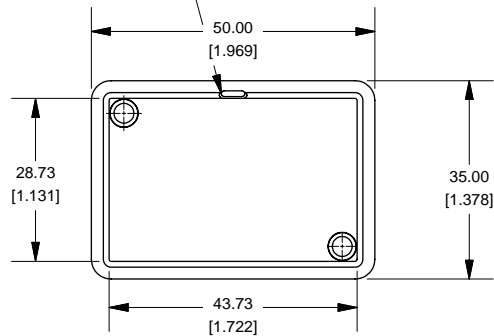


### Maximum P.C. Board Size



Note: Enclosure Lid may come with "gate" tab still intact. This tab is easily removed if necessary

### Lid



**NOTE**  
Purchased assembly includes lid and box made from GP ABS material and cover screws.

1551G	
1551G Enclosure	
Black Enclosure - RAL 7011	1551GBK
Gray Enclosure - RAL 7035	1551GGY
ACCESSORIES	
Black Enclosure Cover Screws (Pkg 100) [#4 X 1/2" Self Tapping]	1591TS100BK
Gray Enclosure Cover Screws (Pkg 100) [#4 X 1/2" Self Tapping]	1591TS100
P.C. Board Screws [#2 X 3/16" Self-Tapping]	1551ATS100 (Pkg 100)



www.hammondmfg.com

2

1