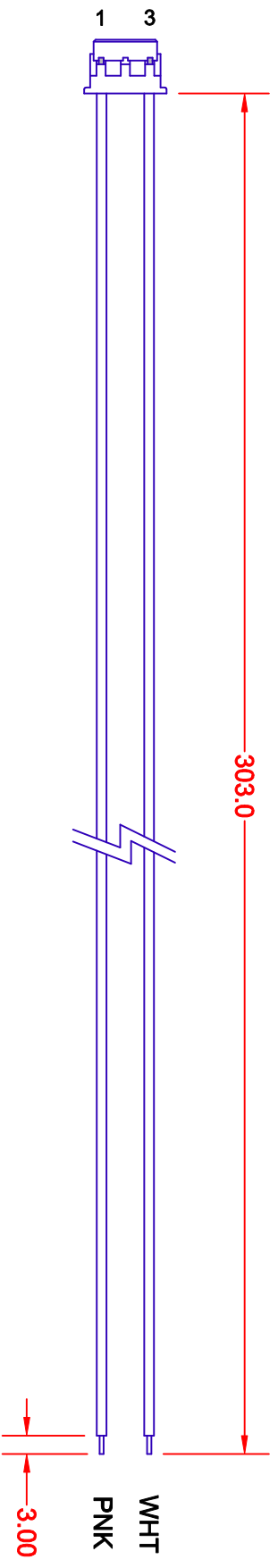


REV.	DESCRIPTION/ECO NO.	DATE
	RELEASED	7/2/01



- NOTES**
1. HOUSING BHR-03VS-1 (JST)
  2. CONTACT SBH-001T-P0.5 (JST)

PIN	WIRE TYPE	AWG	COLOR
1	UL 3239	24	PNK
2	N C		
3	UL 3239	24	WHT

<b>METRIC</b>  THIRD ANGLE PROJECTION		DIMENSIONS ARE IN MILLIMETERS TOLERANCE UNLESS OTHERWISE SPECIFIED 1 PL +/- 4.0 2 PL +/- 0.50 ANGLE +/- 0	
DRAWN BY <b>L. WENGSTROM</b>	AP/PVD BY <b>F.D.</b>	DATE <b>7/2/01</b>	DATE <b>7/2/01</b>
TITLE <b>JKL COMPONENTS CORPORATION</b> <b>OUTPUT CONNECTOR HARNESS</b>		SIZE <b>A</b>	FSCM NO. <b>55335</b>
SCALE <b>NONE</b>		DRAWING NO. <b>BXC-10643</b>	RELEASED DATE <b>7/2/01</b>
MANUAL REVISIONS NOT PERMITTED		REVISION DATE	REV. NO.
		SHEET <b>1 OF 1</b>	