

NOTES:

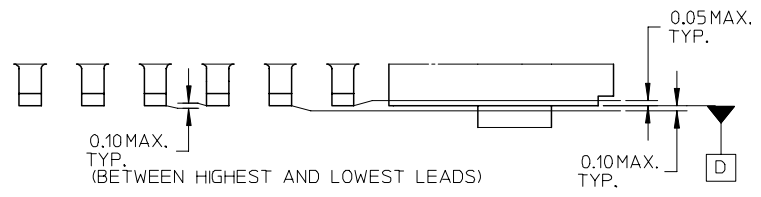
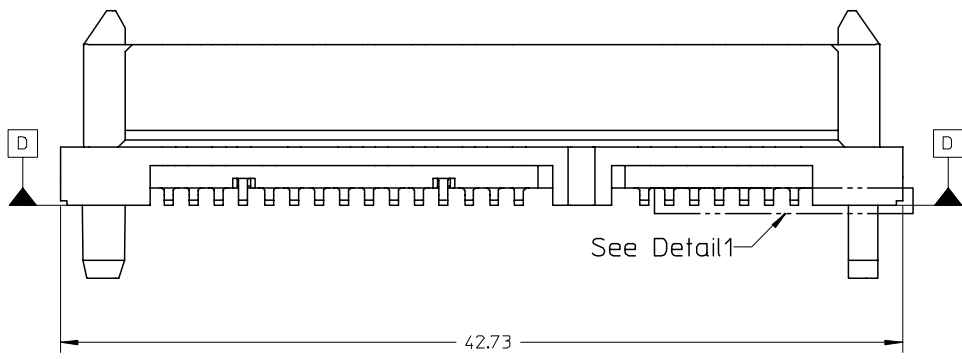
- MATERIAL: LCP, GLASS FILLED, UL 94V-0, COLOR: BLACK  
TERMINAL: COPPER ALLOY
- PLATING:  
CONTACT: 0.76µm MIN. SELECTIVE GOLD OVER 1.27µm MIN. NICKEL UNDERPLATE  
SOLDERTAIL: 2.54µm MIN. TIN OVER 1.27 µm MIN. NICKEL UNDERPLATE
- MOLEX LOGO LOCATED APPROXIMATELY AS SHOWN
- MAXIMUM WARPAGE OF 0.13 mm OVER THE LENGTH OF THE CONNECTOR IN ANY DIRECTION BEFORE AND AFTER EXPOSURE TO MAX. 260°C FOR 10 SECONDS
- PRODUCT SPECIFICATION: PS-87713-016 APPLIES
- PACKAGING  
30 CONNECTORS PER TRAY

|   |                               |                                       |                              |   |                    |   |                        |                        |  |  |
|---|-------------------------------|---------------------------------------|------------------------------|---|--------------------|---|------------------------|------------------------|--|--|
| OBS TIN/LEAD P/N<br>EC NO: S2006-0984<br>DRWN:MLONG<br>CHKD:CGTAN<br>APPR:<br>REV C | QUALITY SYMBOLS<br>▽=0<br>△=0 | GENERAL TOLERANCES (UNLESS SPECIFIED) |                              | DIMENSION STYLE<br>MM ONLY  |                    | SCALE<br>NTS  | DESIGN UNITS<br>METRIC | THIRD ANGLE PROJECTION |  |  |
|   |                               | 4 PLACES ± ---                        | ± ---                        | DRAWN BY<br>DKOH  | DATE<br>2002/07/05 | TITLE<br>SERIAL ATA BACKPLANE<br>STD HEIGHT, RECEPT., SMT |                        |                        |  |  |
|   |                               | 3 PLACES ± ---                        | ± ---                        | CHECKED BY<br>KCLING  | DATE<br>2002/07/05 |   |                        |                        |  |  |
|   |                               | 2 PLACES ± 0.20                       | ± ---                        | APPROVED BY<br>SKTOH  | DATE<br>2002/07/05 | MOLEX MOLEX INCORPORATED                                  |                        |                        |  |  |
| 1 PLACE ± ---   | ± ---                         | MATERIAL NO.<br>87713-1001            | DOCUMENT NO.<br>SD-87713-001 | SHEET NO.<br>1 OF 4   |                    |   |                        |                        |  |  |
| DRAFT WHERE APPLICABLE<br>MUST REMAIN<br>WITHIN DIMENSIONS                          |                               | SIZE<br>A3                            |                              | THIS DRAWING CONTAINS INFORMATION THAT IS PROPRIETARY TO MOLEX INCORPORATED AND SHOULD NOT BE USED WITHOUT WRITTEN PERMISSION |                    |   |                        |                        |  |  |

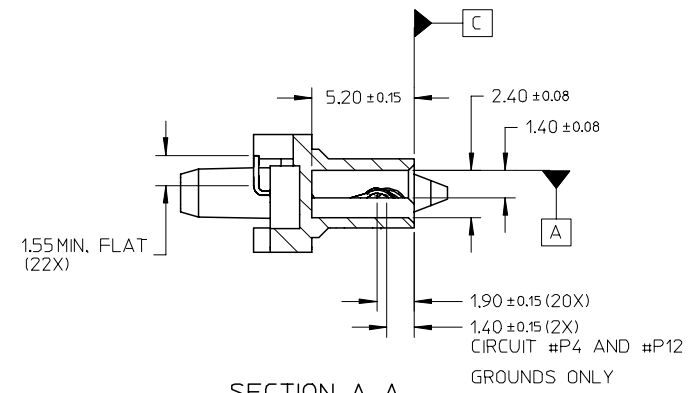
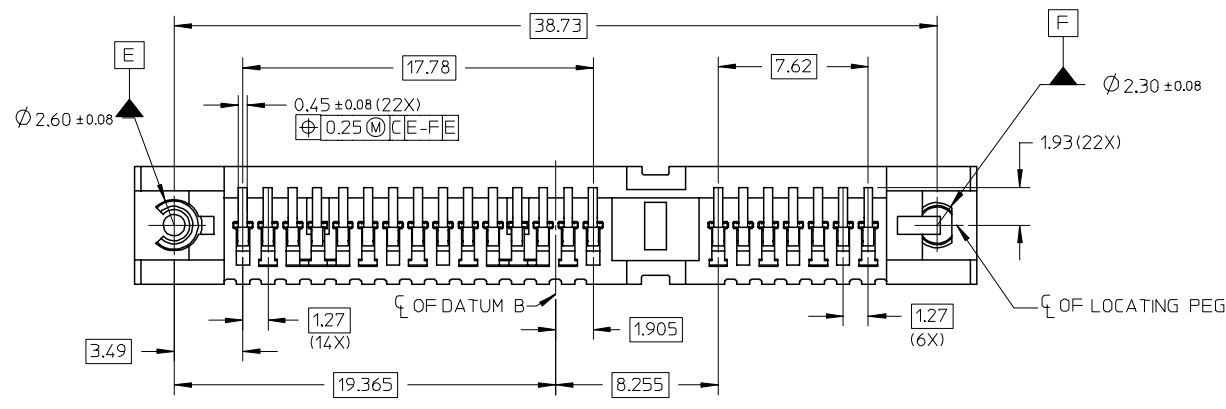
10 9 8 7 6 5 4 3 2 1

F  
E  
D  
C  
B  
A

F  
E  
D  
C  
B  
A



DETAIL 1



SECTION A-A

|   |                               |                                       |   |                            |                              |   |   |                        |  |  |
|---|-------------------------------|---------------------------------------|---|----------------------------|------------------------------|---|---|------------------------|--|--|
| OBS TIN/LEAD P/N<br>EC NO: S2006-0984<br>DRWN:MLONG 2006/04/04<br>CHKD:CGTAN 2006/04/04<br>APPR:KCLING 2006/04/04 | QUALITY SYMBOLS<br>▽=0<br>◻=0 | GENERAL TOLERANCES (UNLESS SPECIFIED) |   | DIMENSION STYLE<br>MM ONLY |                              | SCALE<br>NTS  | DESIGN UNITS<br>METRIC                                    | THIRD ANGLE PROJECTION |  |  |
|   |                               |                                       | mm  | INCH                       | DRAWN BY                     | DATE  | TITLE<br>SERIAL ATA BACKPLANE<br>STD HEIGHT, RECEPT., SMT |                        |  |  |
|   |                               | 4 PLACES                              | ± ---   | ± ---                      | DK0H                         | 2002/07/05  |   |                        |  |  |
|   |                               |                                       | ± ---   | ± ---                      | CHECKED BY                   | DATE  | MOLEX INCORPORATED  |                        |  |  |
| 3 PLACES  | ± ---                         | ± ---                                 | KCLING  | 2002/07/05                 |                              |   |   |                        |  |  |
|   | ± 0.20                        | ± ---                                 | APPROVED BY   | DATE                       | MATERIAL NO.<br>87713-1001   |   |   |                        |  |  |
| 2 PLACES  | ± 0.20                        | ± ---                                 | SKT0H   | 2002/07/05                 |                              |   |   |                        |  |  |
|   | ± ---                         | ± ---                                 | DRAFT WHERE APPLICABLE<br>MUST REMAIN WITHIN DIMENSIONS |                            | DOCUMENT NO.<br>SD-87713-001 |   | SHEET NO.<br>2 OF 4                                       |                        |  |  |
|   | ANGULAR ± 3 °                 |                                       |   | SIZE<br>A3                 |                              | THIS DRAWING CONTAINS INFORMATION THAT IS PROPRIETARY TO MOLEX INCORPORATED AND SHOULD NOT BE USED WITHOUT WRITTEN PERMISSION |   |                        |  |  |

9 8 7 6 5 4 3 2 1

10 9 8 7 6 5 4 3 2 1

F F

E E

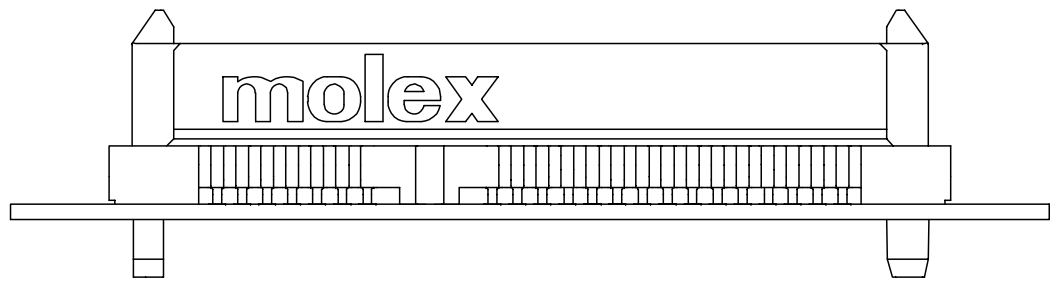
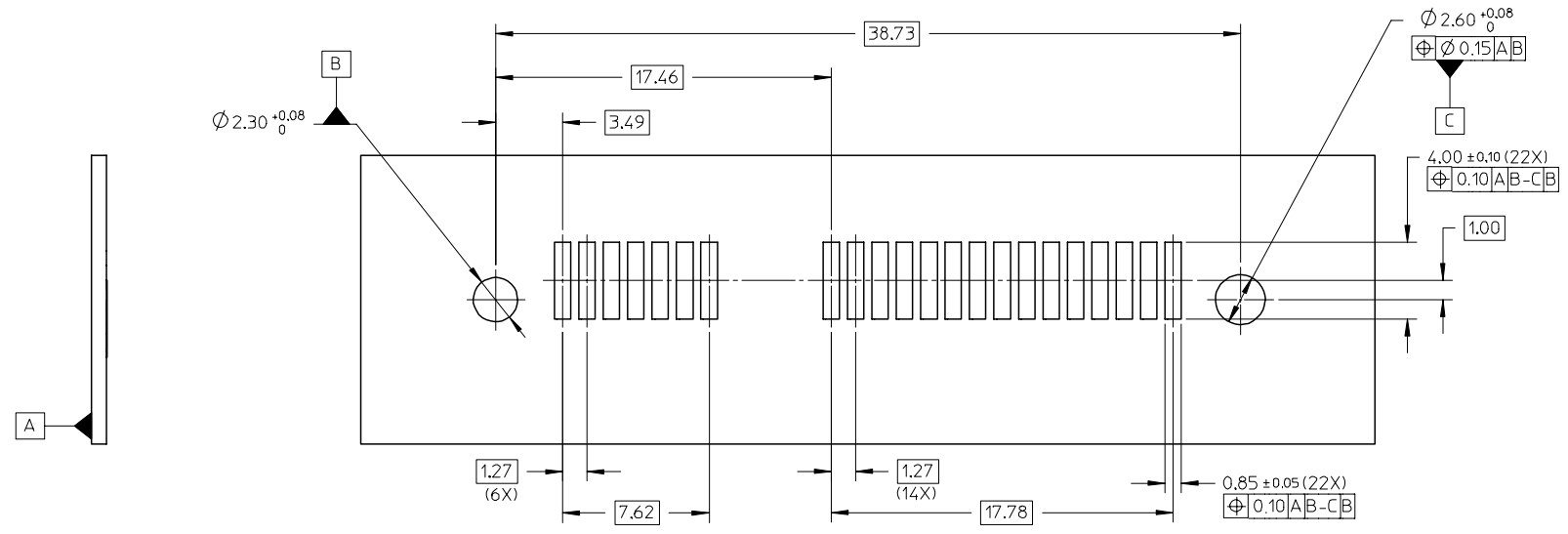
D D

C C

B B

A A

9 8 7 6 5 4 3 2 1



PCB THICKNESS: TBA mm  
RECOMMENDED PCB LAYOUT

|  |  |                               |                                       |        |                            |             |   |                          |                        |  |  |  |
|--|--|-------------------------------|---------------------------------------|--------|----------------------------|-------------|---|--------------------------|------------------------|--|--|--|
| OBS TIN/LEAD P/N<br>EC NO: S2006-0984<br>DRWN:MLONG<br>CHKD:CGTAN<br>APPR:KCLING | 2006/04/04<br>2006/04/04<br>2006/04/04<br>2006/04/04 | QUALITY SYMBOLS<br>▽=0<br>▽=0 | GENERAL TOLERANCES (UNLESS SPECIFIED) |        | DIMENSION STYLE<br>MM ONLY |             | SCALE<br>NTS  | DESIGN UNITS<br>METRIC   | THIRD ANGLE PROJECTION |  |  |  |
|  |  |                               |                                       | mm     | INCH                       | DRAWN BY    | DATE  | TITLE                    |                        |  |  |  |
|  |  |                               | 4 PLACES                              | ± ---  | ± ---                      | DKOH        | 2002/07/05  | SERIAL ATA BACKPLANE     |                        |  |  |  |
|  |  |                               | 3 PLACES                              | ± ---  | ± ---                      | CHECKED BY  | DATE  | STD HEIGHT, RECEPT., SMT |                        |  |  |  |
|  | 2 PLACES   | ± 0.20                        | ± ---                                 | KCLING | 2002/07/05                 | APPROVED BY |   |                          |                        |  |  |  |
|  | 1 PLACE  | ± ---                         | ± ---                                 | SKTOH  | 2002/07/05                 | DATE        |   |                          |                        |  |  |  |
|  | ANGULAR ± 3 °  |                               |                                       |        | MATERIAL NO.               |             | DOCUMENT NO.  |                          |                        |  |  |  |
|  | DRAFT WHERE APPLICABLE MUST REMAIN WITHIN DIMENSIONS |                               |                                       |        | 87713-1001                 |             | SD-87713-001  |                          |                        |  |  |  |
|  |  |                               |                                       |        | SIZE A3                    |             | THIS DRAWING CONTAINS INFORMATION THAT IS PROPRIETARY TO MOLEX INCORPORATED AND SHOULD NOT BE USED WITHOUT WRITTEN PERMISSION |                          |                        |  |  |  |

10

9

8

7

6

5

4

3

2

1

F

F

E

E

D

D

C

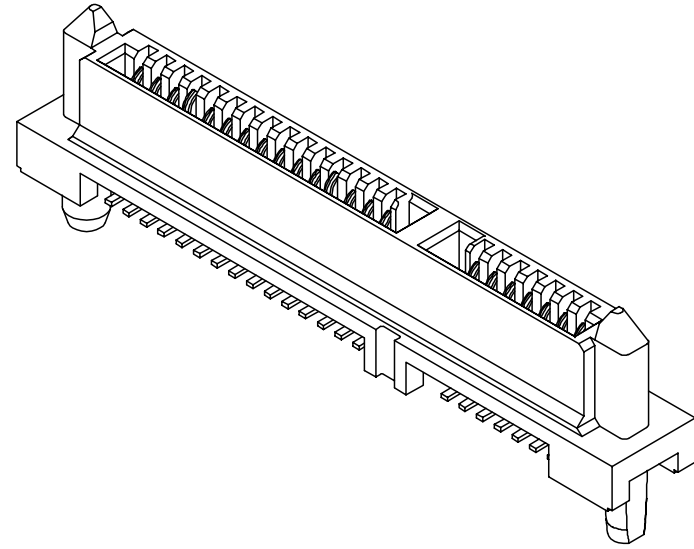
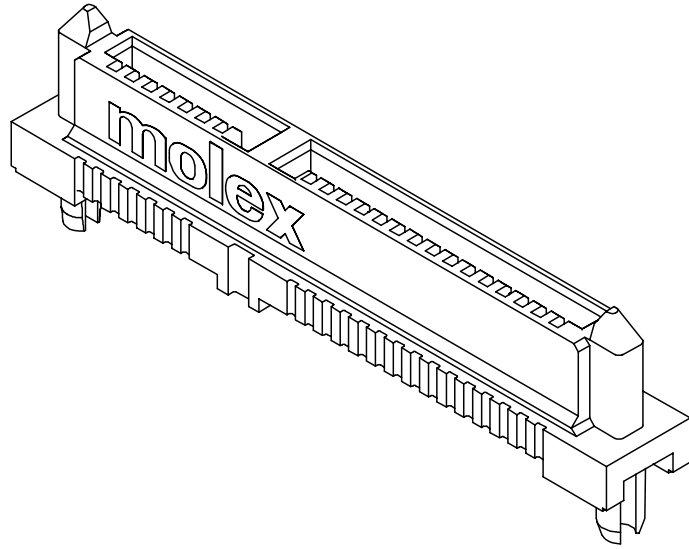
C

B

B

A

A



|  |             |
|--|-------------|
| OBS TIN/LEAD P/N<br>EC NO: S2006-0984<br>DRWN:MLONG<br>CHKD:CGTAN<br>APPR:KCLING | 2006/04/04  |
|  | 2006/04/04  |
|  | 2006/04/04  |
|  | 2006/04/04  |
| REV  | DESCRIPTION |

|                 |     |
|-----------------|-----|
| QUALITY SYMBOLS | ▽=0 |
|                 | ∇=0 |

|  |        |        |
|--|--------|--------|
| GENERAL TOLERANCES (UNLESS SPECIFIED)                |        |        |
|  | mm     | INCH   |
| 4 PLACES   | ± .--- | ± .--- |
| 3 PLACES   | ± .--- | ± .--- |
| 2 PLACES   | ± 0.20 | ± .--- |
| 1 PLACE  | ± .--- | ± .--- |
| ANGULAR ± 3 °  |        |        |
| DRAFT WHERE APPLICABLE MUST REMAIN WITHIN DIMENSIONS |        |        |

|                            |            |
|----------------------------|------------|
| DIMENSION STYLE<br>MM ONLY |            |
| DRAWN BY                   | DATE       |
| DK0H                       | 2002/07/05 |
| CHECKED BY                 | DATE       |
| KCLING                     | 2002/07/05 |
| APPROVED BY                | DATE       |
| SKTOH                      | 2002/07/05 |
| MATERIAL NO.               |            |
| 87713-1001                 |            |
| SIZE                       |            |
| A3                         |            |

|   |                              |                        |
|---|------------------------------|------------------------|
| SCALE<br>NTS  | DESIGN UNITS<br>METRIC       | THIRD ANGLE PROJECTION |
| TITLE<br>SERIAL ATA BACKPLANE<br>STD HEIGHT, RECEPT., SMT   |                              |                        |
| MOLEX INCORPORATED  |                              |                        |
| MATERIAL NO.<br>87713-1001  | DOCUMENT NO.<br>SD-87713-001 | SHEET NO.<br>4 OF 4    |
| THIS DRAWING CONTAINS INFORMATION THAT IS PROPRIETARY TO MOLEX INCORPORATED AND SHOULD NOT BE USED WITHOUT WRITTEN PERMISSION |                              |                        |

9

8

7

6

5

4

3

2

1