



NEUTRIK® UK LTD.

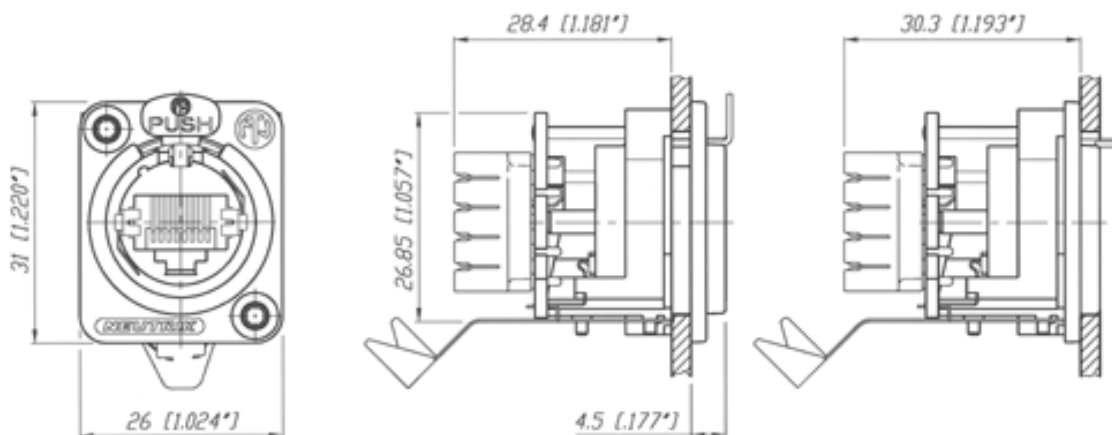


EtherCon® D Series



AUDIO

NE8FDV-YK



Product	
Connector Type	RJ45
Gender	female
Electrical	
Contact resistance	< 10 mΩ
Dielectric strength	1 kVdc
Frequencyrange	1 - 100 MHz
Insulation resistance	> 0.5 GΩ
Number of electrical contacts	8
Rated current per contact	1,5 A
Rated voltage	50 V
Mechanical	
Insertion force	≤ 20 N
Withdrawal force	≤ 20 N
Lifetime	> 1000 mating cycles
Panel thickness	max. 4 mm 0.16"
Wire size	0.14 - 0.5 mm ²
Wire size	26 - 20 AWG
Wiring	IDC punch down terminals (2 mounting screws included)
Locking device	latch lock
Mounting direction	front & rear
Chassis shape	D
Material	
Contact plating	0.2 μm Au over Ni plating
Contacts	Bronze (CuSn6)
Insert	PBTP 15 % GR
Shell	Zinc diecast (ZnAl4Cu1)
Shell plating	Nickel
Strain relief	CuZn35Pb2, Tin plated
Environmental	
Temperature range	-30 °C to +80 °C
Optical	
Mobile Cables	