

# TC74HC237AP, TC74HC237AF

## 3-to-8 Line Decoder/Latch

The TC74HC237A is a high speed CMOS 3-to-8 LINE DECODER ADDRESS LATCH fabricated with silicon gate C2MOS technology.

It achieves the high speed operation similar to equivalent LSTTL while maintaining the CMOS low power dissipation.

It is composed of a 3-bit input latches with a common  $\overline{GL}$  enable input and 3-to-8 line decoder with enable inputs  $G1$  and  $\overline{G2}$ . The 3-bit binary data is stored into the input latch on the high level of  $\overline{GL}$ . The value of this data determines which one of the outputs will go low.

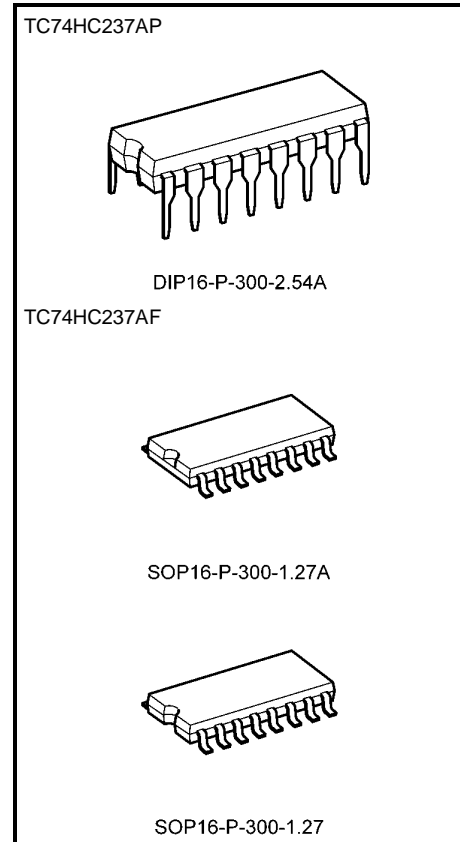
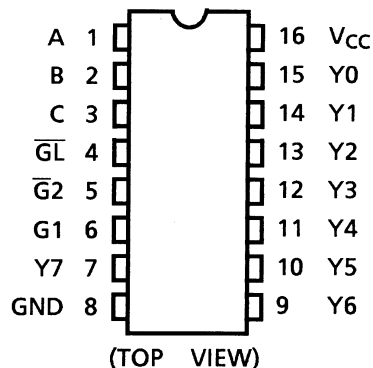
When the enable input  $G1$  is held low or  $\overline{G2}$  is held high, decoding function is inhibited and all the 8 outputs go high. The two enable inputs are provided to ease cascade connection and permits the application address decoder for memory system.

All inputs are equipped with protection circuits against static discharge or transient excess voltage.

### Features

- High speed:  $t_{pd} = 12$  ns (typ.) at  $V_{CC} = 5$  V
- Low power dissipation:  $I_{CC} = 4$   $\mu$ A (max) at  $T_a = 25^\circ$ C
- High noise immunity:  $V_{NIH} = V_{NIL} = 28\%$   $V_{CC}$  (min)
- Output drive capability: 10 LSTTL loads
- Symmetrical output impedance:  $|I_{OH}| = I_{OL} = 4$  mA (min)
- Balanced propagation delays:  $t_{pLH} \approx t_{pHL}$
- Wide operating voltage range:  $V_{CC} (opr) = 2\sim 6$  V
- Pin and function compatible with 74LS237

### Pin Assignment



Weight	
DIP16-P-300-2.54A	: 1.00 g (typ.)
SOP16-P-300-1.27A	: 0.18 g (typ.)
SOP16-P-300-1.27	: 0.18 g (typ.)

## IEC Logic Symbol

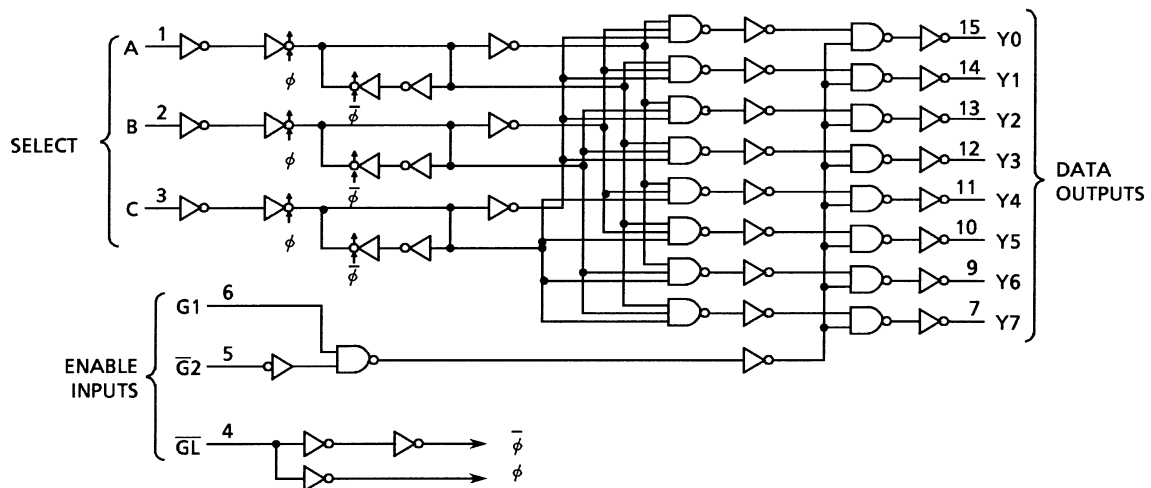


## Truth Table

Inputs						Outputs							
Enable			Address			Y0	Y1	Y2	Y3	Y4	Y5	Y6	Y7
$\overline{G1}$	$\overline{G2}$	G1	C	B	A								
X	X	L	X	X	X	L	L	L	L	L	L	L	L
X	H	X	X	X	X	L	L	L	L	L	L	L	L
L	L	H	L	L	L	H	L	L	L	L	L	L	L
L	L	H	L	L	H	L	H	L	L	L	L	L	L
L	L	H	L	H	L	L	L	H	L	L	L	L	L
L	L	H	L	H	H	L	L	L	H	L	L	L	L
L	L	H	H	L	H	L	L	L	L	H	L	L	L
L	L	H	H	H	L	L	L	L	L	L	H	L	L
L	L	H	H	H	H	L	L	L	L	L	L	L	H
H	L	H	X	X	X	Depends upon the address previously applied while $\overline{G1}$ was at a low level							

X: Don't care

## System Diagram



## Absolute Maximum Ratings (Note 1)

Characteristics	Symbol	Rating	Unit
Supply voltage range	$V_{CC}$	-0.5~7	V
DC input voltage	$V_{IN}$	-0.5~ $V_{CC} + 0.5$	V
DC output voltage	$V_{OUT}$	-0.5~ $V_{CC} + 0.5$	V
Input diode current	$I_{IK}$	$\pm 20$	mA
Output diode current	$I_{OK}$	$\pm 20$	mA
DC output current	$I_{OUT}$	$\pm 25$	mA
DC $V_{CC}$ /ground current	$I_{CC}$	$\pm 50$	mA
Power dissipation	$P_D$	500 (DIP) (Note 2)/180 (SOP)	mW
Storage temperature	$T_{stg}$	-65~150	°C

Note 1: Exceeding any of the absolute maximum ratings, even briefly, lead to deterioration in IC performance or even destruction.

Note 2: 500 mW in the range of  $T_a = -40$  to  $65^\circ\text{C}$ . From  $T_a = 65$  to  $85^\circ\text{C}$  a derating factor of  $-10$  mW/°C shall be applied until 300 mW.

## Recommended Operating Conditions (Note)

Characteristics	Symbol	Rating	Unit
Supply voltage	$V_{CC}$	2~6	V
Input voltage	$V_{IN}$	0~ $V_{CC}$	V
Output voltage	$V_{OUT}$	0~ $V_{CC}$	V
Operating temperature	$T_{opr}$	-40~85	°C
Input rise and fall time	$t_r, t_f$	0~1000 ( $V_{CC} = 2.0$ V) 0~500 ( $V_{CC} = 4.5$ V) 0~400 ( $V_{CC} = 6.0$ V)	ns

Note: The recommended operating conditions are required to ensure the normal operation of the device. Unused inputs must be tied to either VCC or GND.

## Electrical Characteristics

### DC Characteristics

Characteristics	Symbol	Test Condition		Ta = 25°C			Ta = -40~85°C		Unit	
				V <sub>CC</sub> (V)	Min	Typ.	Max	Min		Max
High-level input voltage	V <sub>IH</sub>	—		2.0	1.50	—	—	1.50	—	V
				4.5	3.15	—	—	3.15	—	
				6.0	4.20	—	—	4.20	—	
Low-level input voltage	V <sub>IL</sub>	—		2.0	—	—	0.50	—	0.50	V
				4.5	—	—	1.35	—	1.35	
				6.0	—	—	1.80	—	1.80	
High-level output voltage	V <sub>OH</sub>	V <sub>IN</sub> = V <sub>IH</sub> or V <sub>IL</sub>	I <sub>OH</sub> = -20 μA	2.0	1.9	2.0	—	1.9	—	V
				4.5	4.4	4.5	—	4.4	—	
			I <sub>OH</sub> = -4 mA I <sub>OH</sub> = -5.2 mA	4.5	4.18	4.31	—	4.13	—	
				6.0	5.68	5.80	—	5.63	—	
Low-level output voltage	V <sub>OL</sub>	V <sub>IN</sub> = V <sub>IH</sub> or V <sub>IL</sub>	I <sub>OL</sub> = 20 μA	2.0	—	0.0	0.1	—	0.1	V
				4.5	—	0.0	0.1	—	0.1	
			I <sub>OL</sub> = 4 mA I <sub>OL</sub> = 5.2 mA	4.5	—	0.17	0.26	—	0.33	
				6.0	—	0.18	0.26	—	0.33	
Input leakage current	I <sub>IN</sub>	V <sub>IN</sub> = V <sub>CC</sub> or GND		6.0	—	—	±0.1	—	±1.0	μA
Quiescent supply current	I <sub>CC</sub>	V <sub>IN</sub> = V <sub>CC</sub> or GND		6.0	—	—	4.0	—	40.0	μA

### Timing Requirements (input: t<sub>r</sub> = t<sub>f</sub> = 6 ns)

Characteristics	Symbol	Test Condition		Ta = 25°C		Ta = -40~85°C	Unit	
				V <sub>CC</sub> (V)	Typ.	Limit		Limit
Minimum pulse width ( $\overline{GL}$ )	t <sub>W</sub> (L)	—		2.0	—	75	95	ns
				4.5	—	15	19	
				6.0	—	13	16	
Minimum set-up time (A, B, C- $\overline{GL}$ )	t <sub>s</sub>	—		2.0	—	50	65	ns
				4.5	—	10	13	
				6.0	—	9	11	
Minimum hold time (A, B, C- $\overline{GL}$ )	t <sub>h</sub>	—		2.0	—	25	30	ns
				4.5	—	5	6	
				6.0	—	5	5	

### AC Characteristics ( $C_L = 15 \text{ pF}$ , $V_{CC} = 5 \text{ V}$ , $T_a = 25^\circ\text{C}$ , input: $t_r = t_f = 6 \text{ ns}$ )

Characteristics	Symbol	Test Condition	Min	Typ.	Max	Unit
Output transition time	$t_{TLH}$ $t_{THL}$	—	—	4	8	ns
Propagation delay time (G1-Y)	$t_{pLH}$ $t_{pHL}$	—	—	12	24	ns
Propagation delay time ( $\overline{G2}$ -Y)	$t_{pLH}$ $t_{pHL}$	—	—	12	24	ns
Propagation delay time ( $\overline{GL}$ -Y)	$t_{pLH}$ $t_{pHL}$	—	—	17	33	ns
Propagation delay time (A, B, C-Y)	$t_{pLH}$ $t_{pHL}$	—	—	15	31	ns

### AC Characteristics ( $C_L = 50 \text{ pF}$ , input: $t_r = t_f = 6 \text{ ns}$ )

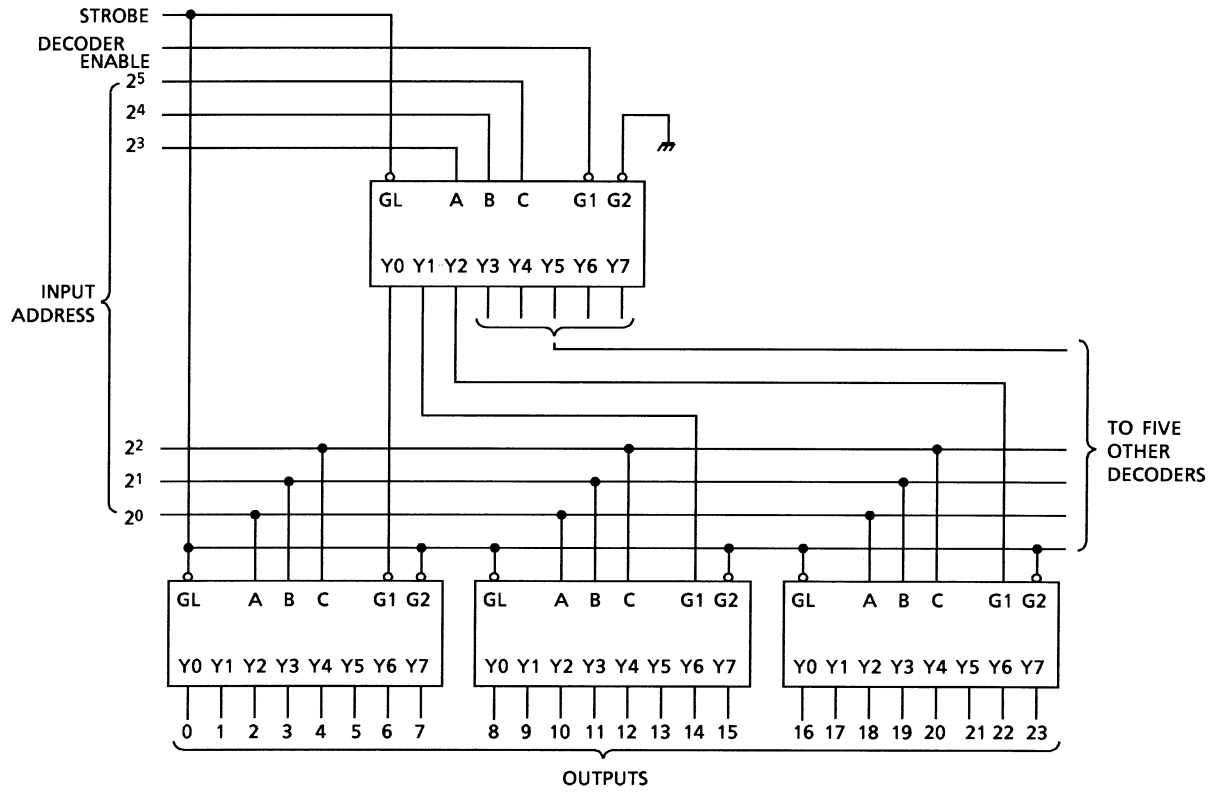
Characteristics	Symbol	Test Condition	$T_a = 25^\circ\text{C}$			$T_a = -40\sim 85^\circ\text{C}$		Unit	
			$V_{CC} \text{ (V)}$	Min	Typ.	Max	Min		Max
Output transition time	$t_{TLH}$ $t_{THL}$	—	2.0	—	30	75	—	95	ns
			4.5	—	8	15	—	19	
			6.0	—	7	13	—	16	
Propagation delay time (G1-Y)	$t_{pLH}$ $t_{pHL}$	—	2.0	—	45	140	—	175	ns
			4.5	—	15	28	—	35	
			6.0	—	13	24	—	30	
Propagation delay time ( $\overline{G2}$ -Y)	$t_{pLH}$ $t_{pHL}$	—	2.0	—	45	140	—	175	ns
			4.5	—	15	28	—	35	
			6.0	—	13	24	—	30	
Propagation delay time ( $\overline{GL}$ -Y)	$t_{pLH}$ $t_{pHL}$	—	2.0	—	65	190	—	240	ns
			4.5	—	21	38	—	48	
			6.0	—	18	32	—	41	
Propagation delay time (A, B, C-Y)	$t_{pLH}$ $t_{pHL}$	—	2.0	—	60	180	—	225	ns
			4.5	—	19	36	—	45	
			6.0	—	16	31	—	38	
Input capacitance	$C_{IN}$	—	—	5	10	—	10	pF	
Power dissipation capacitance	$C_{PD}$ (Note)	—	—	52	—	—	—	pF	

Note:  $C_{PD}$  is defined as the value of the internal equivalent capacitance which is calculated from the operating current consumption without load.

Average operating current can be obtained by the equation:

$$I_{CC} \text{ (opr)} = C_{PD} \cdot V_{CC} \cdot f_{IN} + I_{CC}$$

**Typical Application**

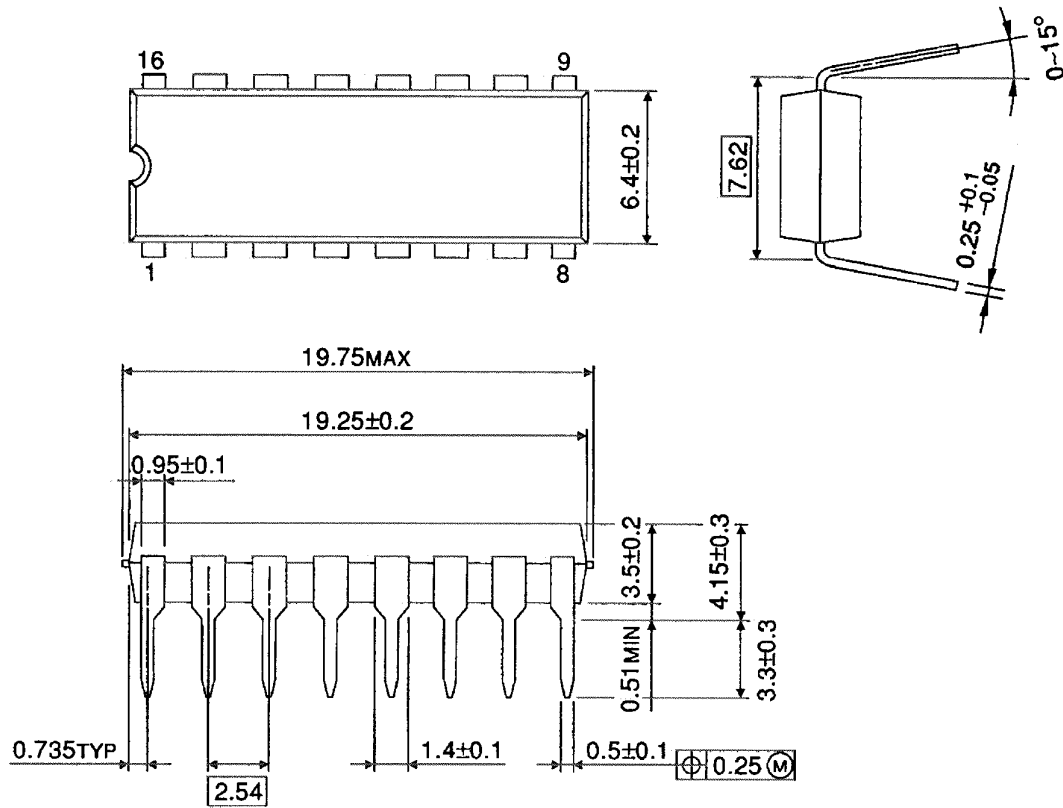


6 Line to 64 Line Decoder with Input Address Storage

## Package Dimensions

DIP16-P-300-2.54A

Unit : mm

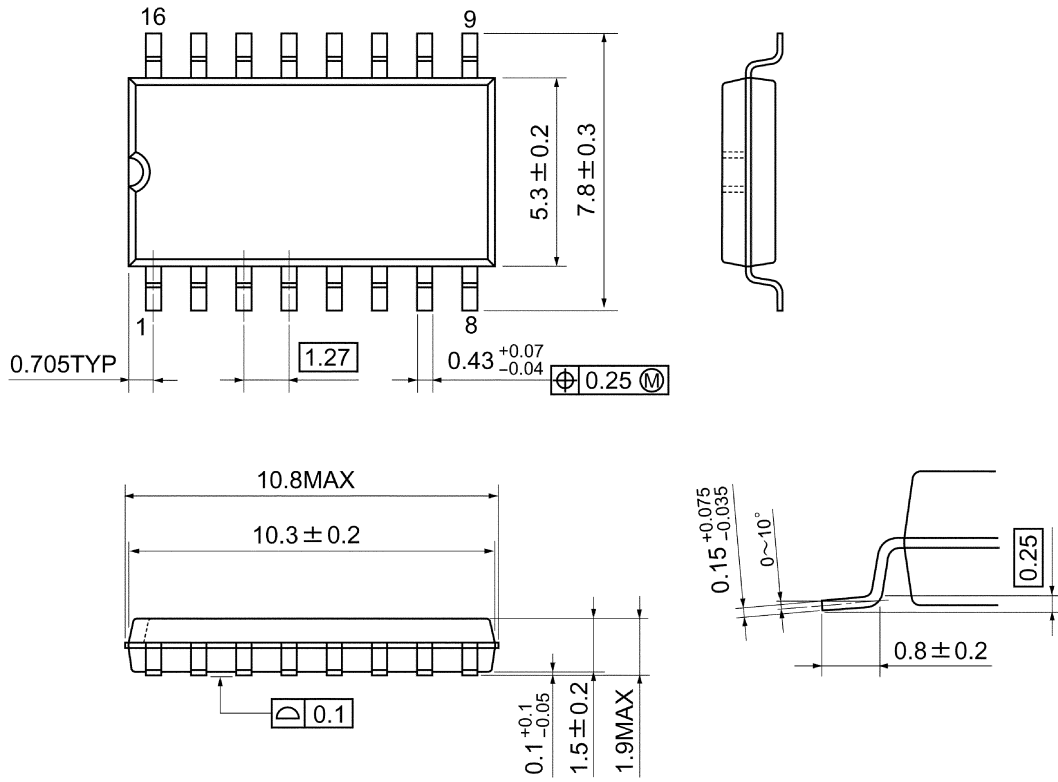


Weight: 1.00 g (typ.)

**Package Dimensions**

SOP16-P-300-1.27A

Unit: mm



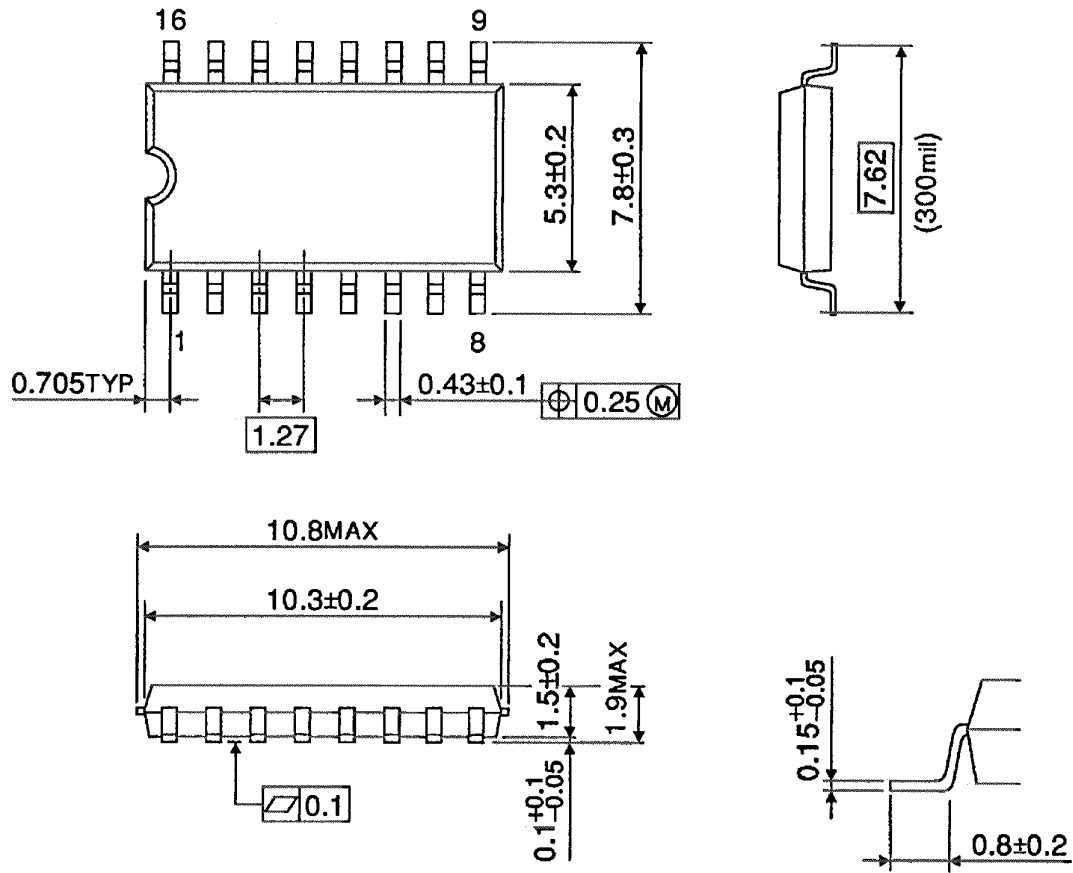
Weight: 0.18 g (typ.)



**Package Dimensions**

SOP16-P-300-1.27

Unit : mm



Weight: 0.18 g (typ.)

**Note: Lead (Pb)-Free Packages****DIP16-P-300-2.54A SOP16-P-300-1.27A****RESTRICTIONS ON PRODUCT USE**

060116EBA

- The information contained herein is subject to change without notice. 021023\_D
- TOSHIBA is continually working to improve the quality and reliability of its products. Nevertheless, semiconductor devices in general can malfunction or fail due to their inherent electrical sensitivity and vulnerability to physical stress. It is the responsibility of the buyer, when utilizing TOSHIBA products, to comply with the standards of safety in making a safe design for the entire system, and to avoid situations in which a malfunction or failure of such TOSHIBA products could cause loss of human life, bodily injury or damage to property.  
In developing your designs, please ensure that TOSHIBA products are used within specified operating ranges as set forth in the most recent TOSHIBA products specifications. Also, please keep in mind the precautions and conditions set forth in the "Handling Guide for Semiconductor Devices," or "TOSHIBA Semiconductor Reliability Handbook" etc. 021023\_A
- The TOSHIBA products listed in this document are intended for usage in general electronics applications (computer, personal equipment, office equipment, measuring equipment, industrial robotics, domestic appliances, etc.). These TOSHIBA products are neither intended nor warranted for usage in equipment that requires extraordinarily high quality and/or reliability or a malfunction or failure of which may cause loss of human life or bodily injury ("Unintended Usage"). Unintended Usage include atomic energy control instruments, airplane or spaceship instruments, transportation instruments, traffic signal instruments, combustion control instruments, medical instruments, all types of safety devices, etc. Unintended Usage of TOSHIBA products listed in this document shall be made at the customer's own risk. 021023\_B
- The products described in this document shall not be used or embedded to any downstream products of which manufacture, use and/or sale are prohibited under any applicable laws and regulations. 060106\_Q
- The information contained herein is presented only as a guide for the applications of our products. No responsibility is assumed by TOSHIBA for any infringements of patents or other rights of the third parties which may result from its use. No license is granted by implication or otherwise under any patent or patent rights of TOSHIBA or others. 021023\_C
- The products described in this document are subject to the foreign exchange and foreign trade laws. 021023\_E