

Description

Miniaturised single pole press-to-reset cycling trip free thermal circuit breaker designed for automotive fuse block installation. Extends the benefits of circuit breaker performance and convenience to applications which are cost critical. Manual release option.

Typical applications

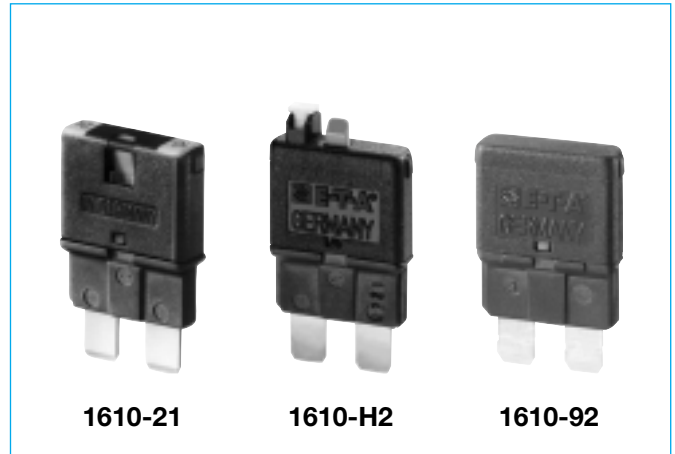
Extra low voltage wiring systems on all types of vehicles and marine craft.

Ordering information

Type No.					
1610	single pole automotive circuit breaker				
Voltage rating					
21	DC 28 V				
H2	DC 28 V, with manual release facility (type III to SAE J 553)				
92	DC 12 V, autoreset (type I to SAE J 553)				
Current ratings					
6	8	10	15	20	25 A
1610 - 21 - 8 A ordering example					

Current ratings, typical voltage drop values and actuator colours

Current rating (A)	Voltage	Actuator colour drop (mV)	(manual release)
6	< 150	mossy-green	(approximating RAL 6005)
8	< 150	honey	(approximating RAL 1005)
10	< 150	red	(approximating RAL 3020)
15	< 150	blue	(approximating RAL 5012)
20	< 150	yellow	(approximating RAL 1018)
25	< 150	pearl	(approximating RAL 1013)
30	< 150	light-green	(approximating RAL 6018)



1610-21

1610-H2

1610-92

Technical data

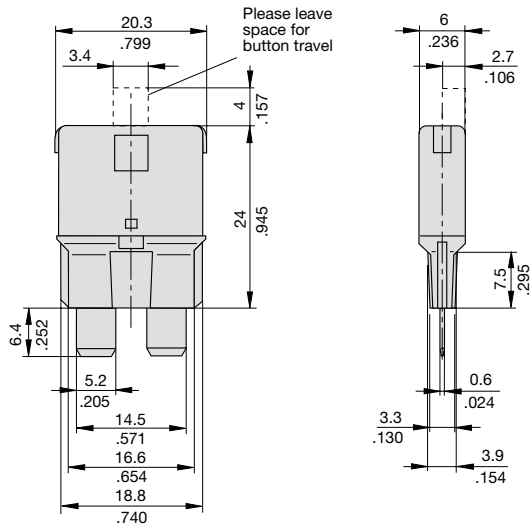
Voltage rating	1610-92: DC 12 V 1610-21/1610-H2: DC 32 V
Current ratings	6...25 A (30 A upon request)
Service short-circuit breaking capacity	300 operations at ≤ 50 A
Reset period for 1610-92 (at 23 °C)	≤ 15 s
Ambient temperature	-30...+60 °C (-22...+140 °F)
Degree of protection (IEC 60529/DIN 40050)	operating area IP30 (-21/-H2) operating area IP54 (-92) terminal area IP00
Ultimate short-circuit breaking capacity	≥ 3 break operations at 150 A, or ≥ 1 break operation at 2,000 A
Vibration (with mounting socket 12)	5 g (57-500 Hz), ±0.38 mm (10-57 Hz) to IEC 60068-2-6, test Fc 10 frequency cycles/axis
Shock (with mounting socket 12)	25 g (11 ms) to IEC 60068-2-27, test Ea
Corrosion	96 hours at 5 % salt mist, to IEC 60068-2-11, test Ka
Humidity	240 hours at 95 % RH, to IEC 60068-2-3, test Ca
Mass	approx. 5 g

N.B.

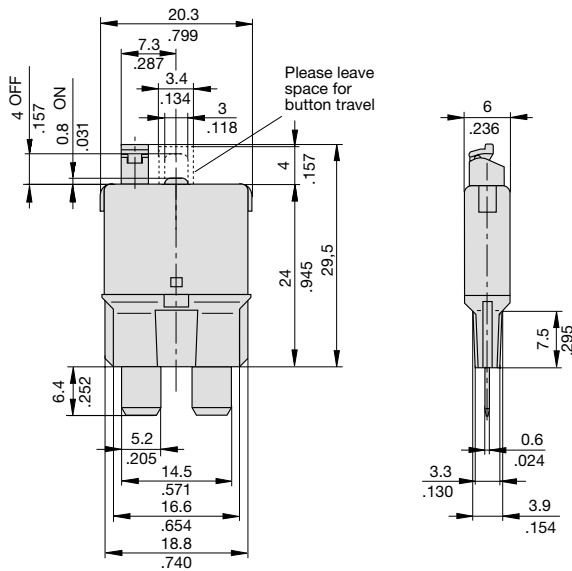
It is good practice to switch off the vehicle's ignition system before re-setting the circuit breaker. Free travel of the actuator must be ensured.

Dimensions

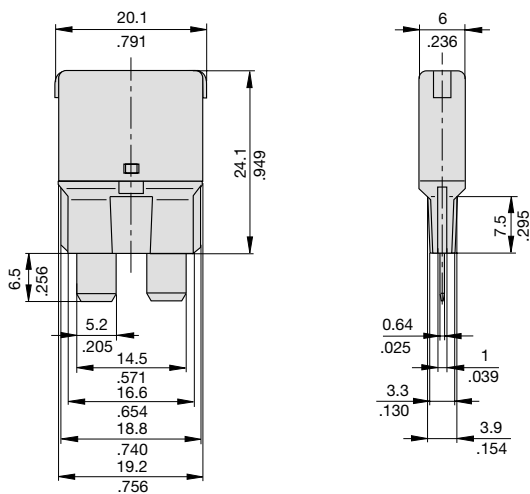
1610-21



1610-H2

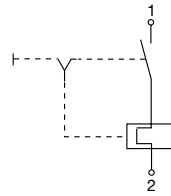


1610-92

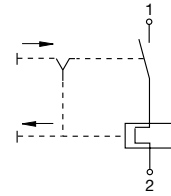


Internal connection diagram

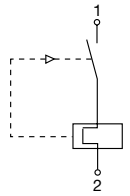
1610-21



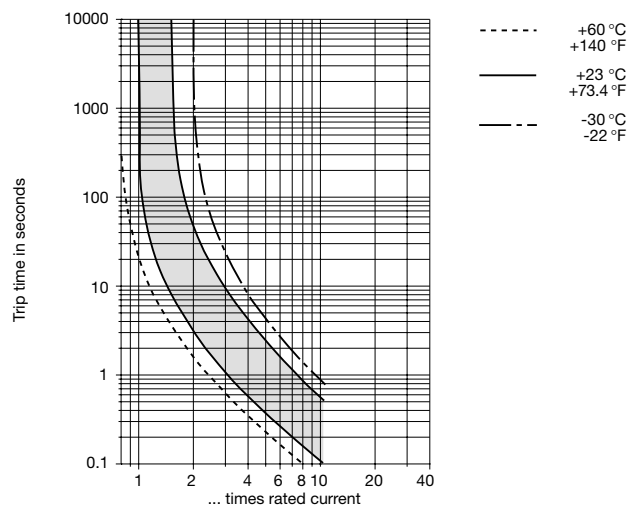
1610-H2



1610-92



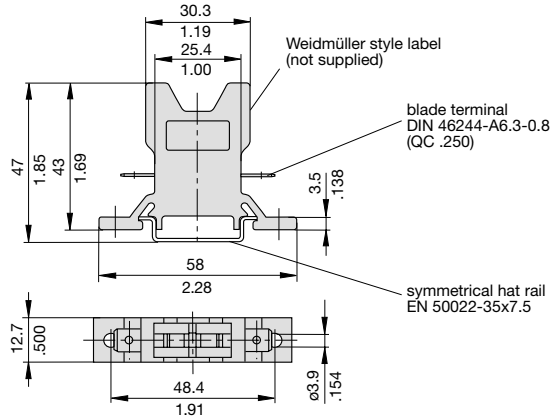
Typical time/current characteristic curve



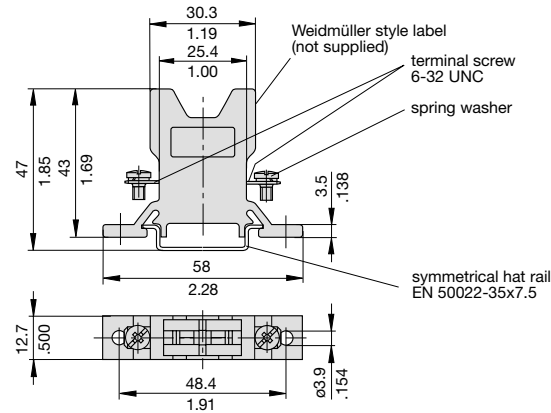
This is a metric design and millimeter dimensions take precedence ($\frac{\text{mm}}{\text{inch}}$)

Accessories

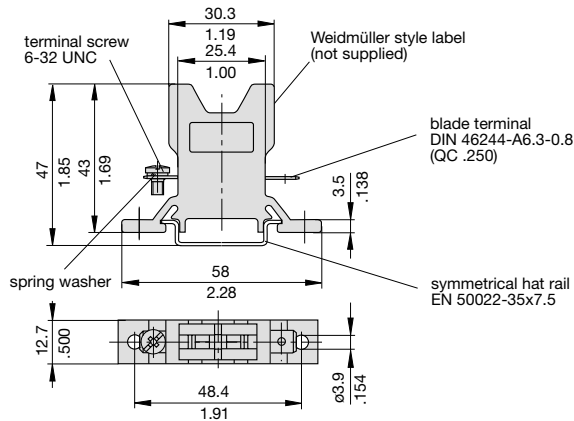
Socket 12-P10



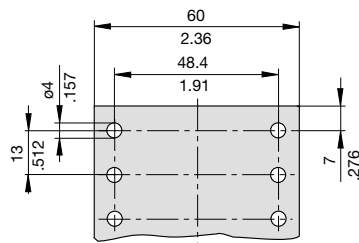
Socket 12-J20



Socket 12-A10



Dimensions for surface mounting



Other sockets available to special order
Labels: Weidmüller, D-33102 Paderborn

Ordering information Mounting socket 12

Type No.

12 Mounting socket

Terminal design

P10 blade terminals A 6.3-0.8 (QC .250)

J20 screw terminals 6-32 UNC

A10 1 blade terminal A6.3-0.8 (QC .250) / 1 screw terminal 6-32 UNC

Version

(blank) single socket

20 two-way

30 three-way

40 four-way

60 six-way

12 - P10 - 20 ordering example

Labels: Weidmüller, D-33102 Paderborn

Accessories for mounting socket 12

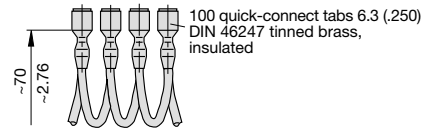
Connector bus links -P10

X 210 588 01/ 1.5 mm² (AWG 16), brown (up to 13 A max. load)

X 210 588 02/ 2.5 mm² (AWG 14), black (up to 20 A max. load)

X 210 588 03/ 2.5 mm² (AWG 14), red (up to 20 A max. load)

X 210 588 04/ 2.5 mm² (AWG 14), blue (up to 20 A max. load)

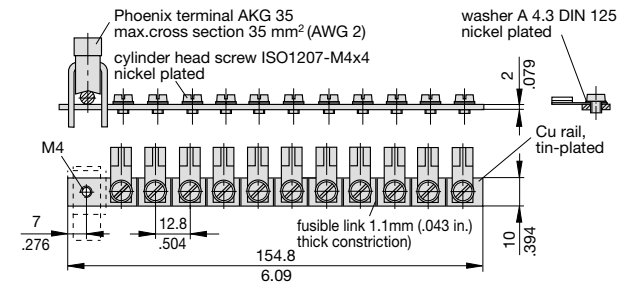


Bus bar (supplied as a complete package)

(up to 100 A max. load)

X 211 157 01 with terminal

X 211 157 02 without terminal



This is a metric design and millimeter dimensions take precedence ($\frac{\text{mm}}{\text{inch}}$)

All dimensions without tolerances are for reference only. In the interest of improved design, performance and cost effectiveness the right to make changes in these specifications without notice is reserved. Product markings may not be exactly as the ordering codes. Errors and omissions excepted.

8 way base for 1610 series Circuit Breakers.



This base for the 1610 series circuit breaker will accommodate up to 8 circuit breakers of the same or mixed amperage ratings. The range is available from 6amps to 30 amps with the amperage rating marked on the top of each circuit breaker. This model of circuit breaker is available as reset only, manual release with colour coded lever or auto reset.

The base will mount into a 96.5 x 27.0 mm panel cut out and is retained by one 4mm screw at each end. The polarised detachable lid is retained in place by a plastic clip at each end which is part of the lid moulding. The edge flange has a seal set in a groove which gives the base a rating of IP54 when mounted in a panel. Each circuit breaker position is fitted with two 6.3 x 0.8mm spade terminals on the input and output for cable connections which are accessible from the rear of the panel after the base is installed.

1610 8 way base	Mounting Base	
	Breaker Type	1610 Single pole automotive circuit breaker
	Voltage Rating	21 DC28v
		H2 DC28v , with manual release facility
		92 DC12v autoreset
	Current Ratings	6 8 10 15 20 25 30A
8A		

E-T-A Circuit Breakers Ltd

Telford Close

Aylesbury

Bucks

HP19 8DG

Tel 01296 420336

Fax 01296 488497

Internet www.e-t-a.com

E-mail info@e-t-a.co.uk