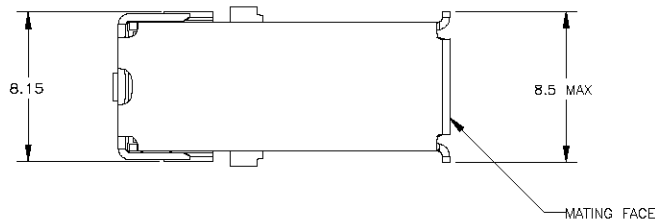
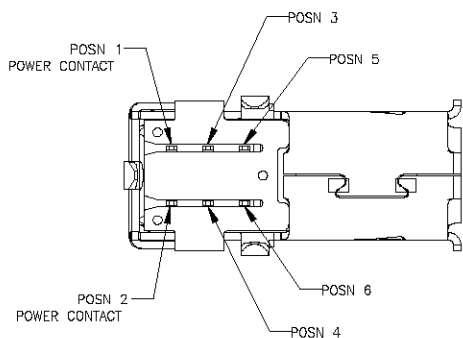
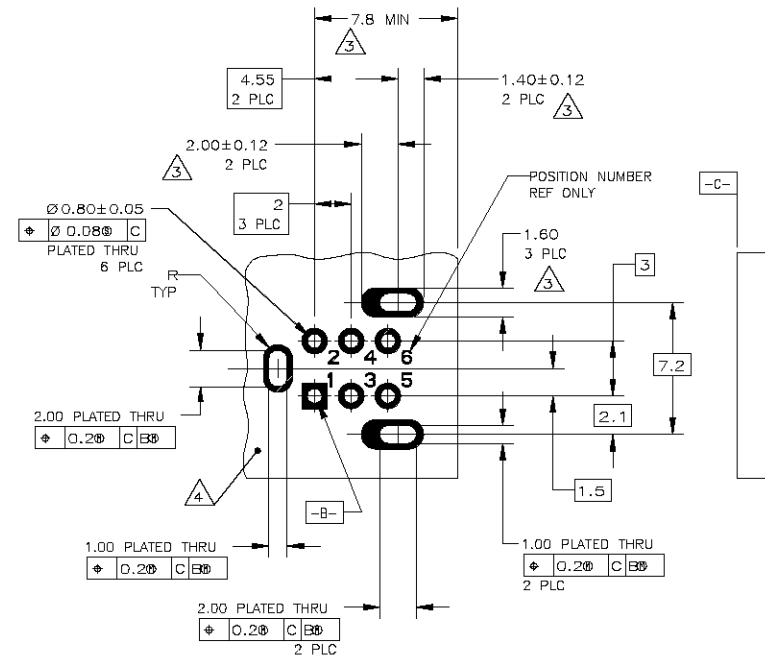
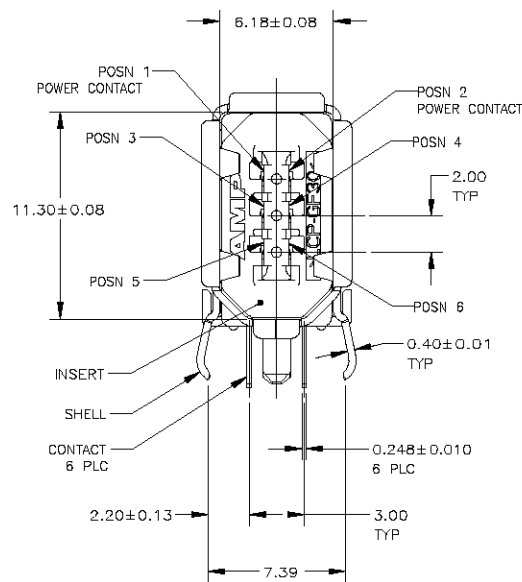
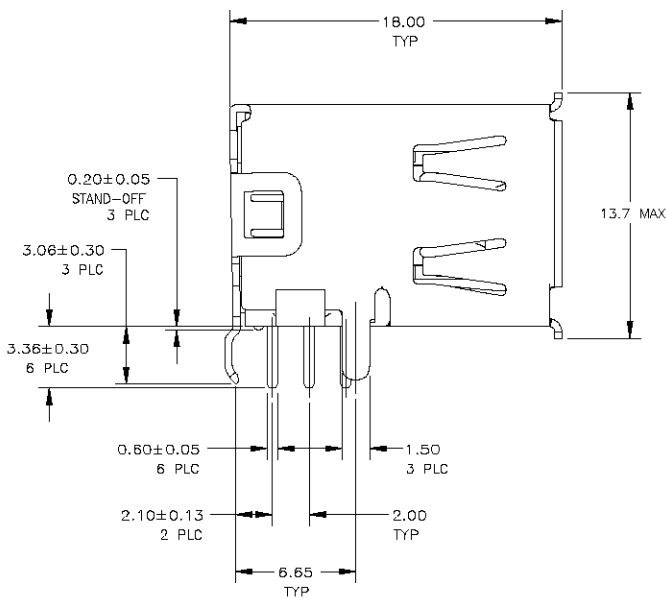


THIS DRAWING IS UNPUBLISHED. RELEASED FOR PUBLICATION
 BY TYCO ELECTRONICS CORPORATION. ALL RIGHTS RESERVED.

LOC	DIST	REVISIONS			
P	LTR	DESCRIPTION	DATE	DMN	APVD
ES	00	0	RELEASED PER EC FB00-0249-04	5NOV04	L.Z I.E



- ① CONTACTS: BRASS; SHELL: PHOS BRONZE; INSERT: LCP, BLACK, UL 94V-0 RATED.
- ② CONTACTS: (0.076µm MIN GOLD OVER 0.76µm MIN PALLADIUM-NICKEL) OR (0.76µm MIN GOLD) FOR A LENGTH OF 2 MIN ON MATING FACE END, 3.81µm MIN TIN FOR A LENGTH OF 3.75 MIN ON OPPOSITE END, ALL OVER 1.27µm MIN NICKEL; SHELL: 2~5µm MIN TIN.
- ③ COORDINATE DIMENSION APPLIES FROM CENTER OF ACTUAL FEATURE.
- ④ CONNECTOR SIDE OF PWB IS SHOWN.



LEAD FREE

IN TRAYS	5787956-1
PACKAGING	PART NO

THIS DRAWING IS A CONTROLLED DOCUMENT.		DWN LEO ZHOU 05NOV04		tyco Tycos Electronics Corporation	
CHK STEVEN YAO 05NOV04		APVD LENOMOTO 05NOV04		SH/CN GuiPingRD 668#	
DIMENSIONS: mm		TOLERANCES UNLESS OTHERWISE SPECIFIED:		PRODUCT SPEC	
0 PLC ± -		1 PLC ± -		APPLICATION SPEC	
1 PLC ± -		2 PLC ± -		SIZE	
2 PLC ± -		3 PLC ± -		CAGE CODE	
3 PLC ± -		4 PLC ± -		DRAWING NO	
4 PLC ± -		ANGLES ± -		A2 00779	
MATERIAL		FINISH		DRAWING NO	
- ①		- ②		C=5787956	
CUSTOMER DRAWING		SCALE 5:1		RESTRICTED TO	
		SHEET 1 OF 1		REV 0	