



Read this manual carefully before attempting to install, program or operate the STORM AXS Strike Master Keypad. After installation the Command Summary Chart at the back of this manual can be used as a quick reference to programming and operating command sequences.

Page	Section	Contents
1	i)	Introduction and Factory Defaults
2	ii)	Installation Instructions
	iii)	Electrical and Data Connections; Circuit Schematic
3	iv)	Code Entry Mode
	v)	Programming Mode
4	vi)	Adding and Removing Codes
5	vii)	Changing Door Strike Times
	viii)	Setting the Invalid Code Penalty Time
6	ix)	Other Features. Remote Exit, Alarms, Relay 2, Door Monitoring, Entry Under Duress, Alarm Signals
7	x)	Code Index Directory
8	xi)	Command Summary Chart

i) INTRODUCTION AND FACTORY DEFAULTS

Storm AXS Strike Master Keypads provide comprehensive access control for all outdoor and indoor locations. Door / system status is indicated by a high intensity LED light source and an audible sounder. Storm AXS Strike Master Keypads are specified to survive in different service environments, ranging from exposed unsupervised public locations to general service indoor applications. Keypads in the Storm AXS Strike Master range are dimensionally and electrically interchangeable. This allows users, entering codes at both outdoor or indoor access points, to establish and maintain familiarity with the keypad features.

- Up to 50 user programmable *entry codes*
- *Entry Code* indexing system provides a directory of authorised code holders and permits secure allocation and re-allocation of *entry codes*
- 4, 5, or 6 digit *entry codes*
- One or two door control
- Anti-tamper alarm
- *Entry code* entered under duress alarm
- Hidden *entry code* feature
- Forced door alarm
- Timed strike or latching door operation
- Timed lock out for repeated invalid code input
- Remote switch exit facility
- Fail (open) Fail (closed) option
- All weather resistant
- Two protection levels
 - anti vandal keypad for unsupervised public, outdoor locations
 - robust keypad for regular outdoor / indoor locations

The STORM AXS Strike Master Keypad is supplied with the following factory configured defaults.

Default settings

FEATURE	FACTORY SET DEFAULT
'Engineer's' code	111111 (For security, change default <i>engineer's code</i> on installation)
Door 1 'Strike Time'	5 seconds (always resets to 5 sec on power up)
Door 2 'Strike Time'	5 seconds (always resets to 5 sec on power up)
Invalid code Penalty time	15 seconds
Relay 2 output	Set in 'Alarms Mode'
Relay 2 Configuration	Relay Output set 'normally open'
Door Sensor	Bridged. Remove wire bridge to enable this feature

ii) INSTALLATION INSTRUCTIONS

Fixing Instructions

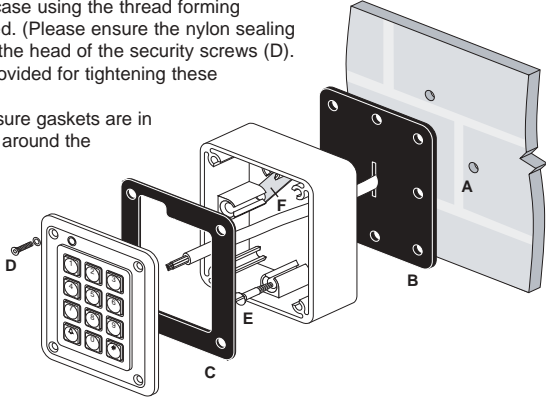
(Please read carefully before attempting installation.)

Rear Casing

1. Select a suitable location with a sound flat surface. Using the case as a template, mark the position of the four fixing holes (A) on the surface.
2. Drill and plug the fixing holes to suit fixing screws (E) as supplied.
3. Locate the anti-tamper switch actuator plate (F) on the rear face of the case in the position as shown. The fixing screws (E) may be positioned in the case to assist in the accurate location of the plate.
4. Locate the thicker (6mm) sealing gasket (B) on the rear face of the case before positioning the case over the fixing holes (A). (Be sure to run the cable through the hole in the gasket prior to securing the case.)
5. Secure the case to the surface using the fixing screws (E) as supplied.

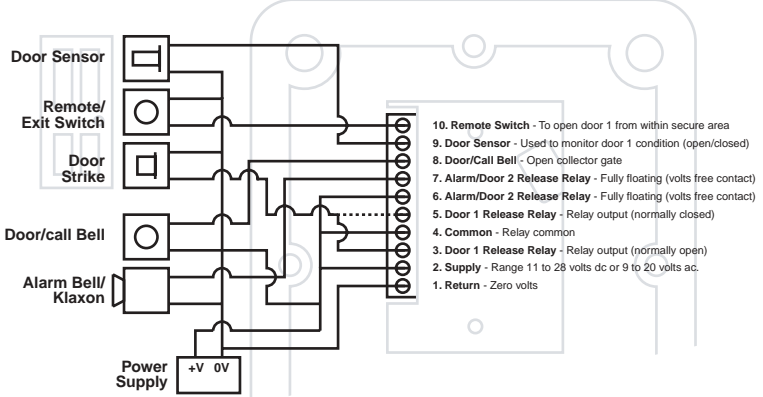
Keypad to Casing

6. When making the electrical connections to the connector block care should be taken not to damage the thin sealing gasket (C) fixed to the front face of the rear case. [For connection details see section iii) of this manual.]
7. Fix the keypad to the rear case using the thread forming security screws (D) as supplied. (Please ensure the nylon sealing washers are located beneath the head of the security screws (D). Please note a special bit is provided for tightening these screws.)
8. Check the installation to ensure gaskets are in place and compressed evenly around the perimeter of the case.



Note: On rough or uneven surfaces it may be necessary to apply a bead of silicone sealant around the inner face of the case at the point where it meets the mounting surface. Where this method of sealing is necessary the thicker sealing gasket (B) **must not be fitted**.

iii) ELECTRICAL AND DATA CONNECTIONS



Note: When making connection to the door strike, select 'relay normally open' or 'relay normally closed' to suit the intended application and locking mechanism.
 Note: To achieve maximum protection against EMC, RFI, or damage from Electro-static Discharge it is recommended that the keypad casing is earthed (grounded) via the screw terminal attached to the metal shield on the rear face of the keypad. This terminal is identified by a \perp symbol. It is recommended that a regulated, fully isolated power supply is used to power the StrikeMaster keypad. (Keymat Technology part no. DEPS0101 or DEPS0201 or equivalent). Bifilar wound supplies are not recommended. DES-MAN ISS.4

iv) CODE ENTRY MODE

During everyday operation the keypad will be in **code entry** mode or 'logged off'. This is also the mode that the keypad is in when it is first powered up. When the keypad is in **code entry** mode the LED will light red to signify that the keypad is waiting for either an **entry code** or the **engineer's code** to be entered.

When entering a code, spurious digits may be entered before and after the valid code to help disguise it from onlookers or other surveillance (maximum 20 characters to be entered at any one time). **[Care should be taken not to activate the Operator Under Duress alarm by prefixing a valid entry code with the numbers 9 1. [see section ix] - Activating the Operator Under Duress Alarm]. Entry codes should not begin with the numbers 9 or 1 as this can also lead to non intentional triggering of the Operator Under Duress Alarm. [see section vi] - Adding and Removing Codes.]**

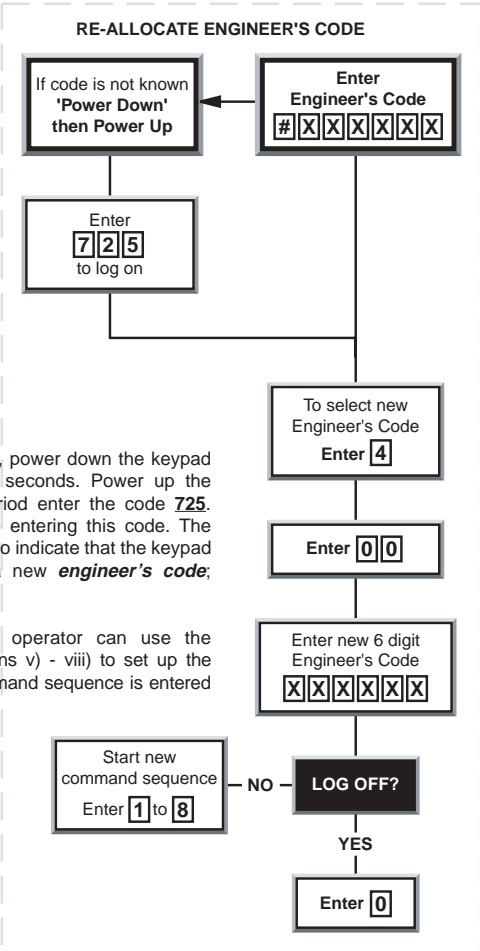
When a valid **entry code** has been entered the door strike will release for the period of the **strike time [see section vii] - Setting the Door Strike Time** or latch open, depending on what type of code was entered **[see section vi] - Adding and Removing Codes]**. The LED will light green to signify that the door lock is in a released (or open) condition.

v) PROGRAMMING MODE

To enter **programming mode** it is required that the operator 'logs on' by entering the **engineer's code**. **When logging on the engineer's code must be preceded by the # key.** If the code is correct the LED will start flashing (red and green alternately) to signify that the operator has logged on and that the keypad is in **programming mode** ready to accept commands. For security reasons it is essential that the default **engineer's code** is replaced with your own six digit code. Please ensure a record of the code is kept in a secure place.

If the **engineer's code** is not known, power down the keypad for a period of not less than three seconds. Power up the keypad and within a two minute period enter the code **725**. Do not enter any other digits before entering this code. The keypad's LED will then begin flashing to indicate that the keypad is in **programming mode**. Install a new **engineer's code**; (Refer to the chart on this page)

Once in **programming mode** the operator can use the commands, as summarised in Sections v) - viii) to set up the keypad. After each segment of a command sequence is entered the keypad will give a rising tone bleep to indicate that it has accepted the data and is ready for the next segment of the command. If at any stage the keypad gives an error bleep (decreasing pitch) then the data entered is invalid. The keypad will remain in **programming mode** but you must re-enter the whole of the command sequence within which the error bleep occurred.

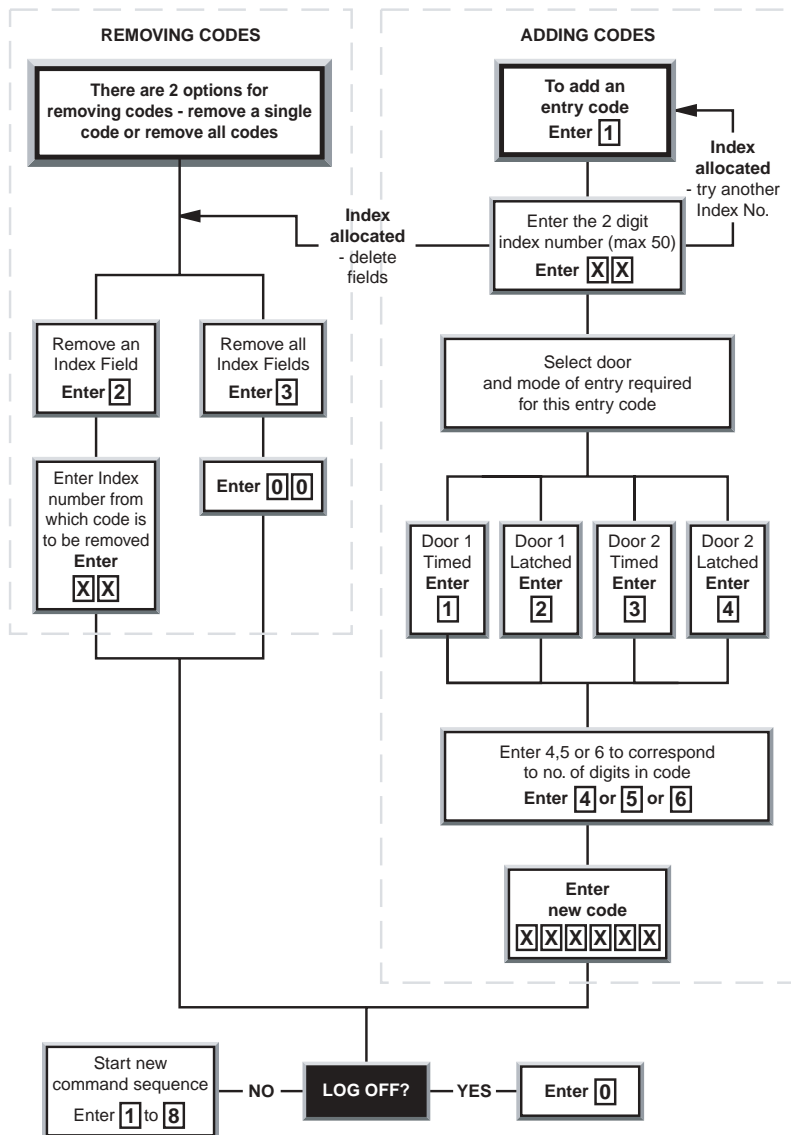


vi) ADDING AND REMOVING CODES

To add or remove **entry codes 'log on'**, then follow the appropriate command sequence detailed below.

Notes:

- Entry Codes** should not start with numbers **9** or **1**.
- Each **entry code** recognised by the keypad is stored under a two digit reference known as the **Code Index Number**. The **code index number** allows an authorised holder of the **engineer's code** to remove **entry codes** by keying in the **code index number** without having knowledge of the actual **entry code**. It also means that a written record of valid code holders can be kept without recording the actual **entry codes**. [see section x) - **Code Index Directory**].
- Prior to operation of a second door, relay 2 must be set for door control. [see section ix) - **Controlling a Second Door**].



vii) CHANGING DOOR STRIKE TIMES

i) Setting the Door 1 'Strike Time'

The door *strike time* is the number of seconds for which the door lock remains released (or open) when a valid *entry code* is entered. The strike time is always reset to 5 sec on power up. To change the Door 1 strike time, 'log on', then enter **5** to select the **Door 1 Strike Time Set Up** function. Listen for the 'accept beep'.

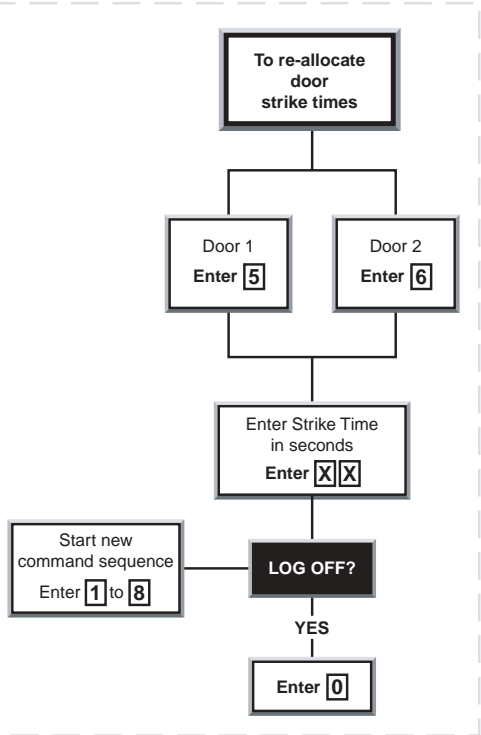
Then enter a two digit number to set the duration of the *strike time* in seconds (**01-98**). Listen for the 'accept beep'.

NOTE: If the strike time is required to be set to zero secs, then you must enter '99'. An entry of '00' will give you a strike time of 1 second.

ii) Setting the Door 2 'Strike Time'

To change the Door 2 *strike time*, 'log on', then enter **5** to select the **Door 2 Strike Time Set Up** function. Listen for the 'accept beep'.

Then enter a two digit number to set the duration of the *strike time* in seconds (**01-98**). Listen for the 'accept beep'.

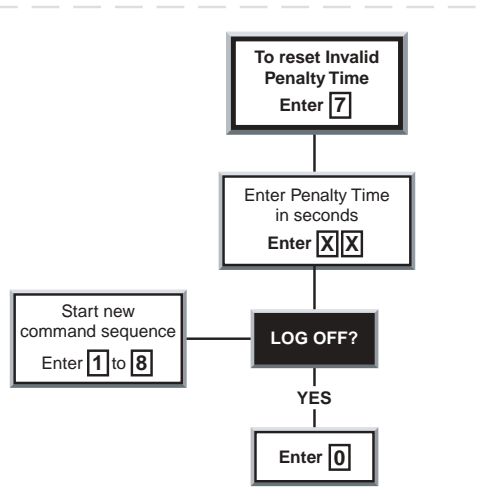


viii) SETTING THE INVALID CODE PENALTY TIME

When in *Code Entry* mode, if after twenty key presses a valid code has not been entered, the keypad will be disabled for a pre-set period of time. This feature is intended to deter any attempt to gain unauthorised access by guessing the format of a valid code.

To set the *Invalid Code Penalty Time*, 'log on', then enter **7** to select the *Invalid Code Penalty Time* function. Listen for the 'accept beep'.

Then enter a two-digit number to set the duration of the *Penalty Time* in seconds (**00-99**). Listen for the 'accept beep'.



ix) OTHER FEATURES

a) The Remote Exit / Egress Switch

Making a connection (via a suitable momentary contact switch) between connector terminals 10 and 1 (return) will release (or open) the door lock for a pre-set period of time (the door **strike time**). This feature can be used to provide a **remote exit facility**, allowing personnel to exit from a secure area by pressing a button located near or adjacent to the door (on the secure side only). [see sections vii) and viii) for information about setting the door strike time]. Please note, in 2 door operation the connection of a remote egress switch to control the second door is not possible.

b) Alarms

An alarm bell or klaxon can be activated via connector terminals 6 and 7. When the keypad enters an alarm state (door forced or operator under duress or anti-tamper), these two terminals will provide an alarm signal (2 Amps max. at 30 Volts DC). The alarm bell or klaxon should be connected as shown in section iii) - **Electrical & Data Connections**. Please note that the alarm bell or klaxon is not powered from the keypad and so must have an independent power supply.

An alarm signal can be cancelled by keying in any valid **entry code** or the **engineer's code**. If the cause of the alarm can be rectified (i.e. The Anti-Tamper switch can be re-closed, or a 'forced door' can be closed), then keying in a valid 'Entry Code' will silence and reset the alarm.

If for any reason the cause of the alarm can not be rectified (e.g. The keypad has been forced away from the wall, or the door has been damaged and can not be closed), then the alarm can be silenced by keying in a valid 'Entry Code' twice (2 times). When the alarms have been silenced in this way, the keypad must be isolated from the power for a minimum of 3 seconds to reset the alarm feature.

Note if the alarm function is used to indicate operator under duress then the alarm should be discreet, i.e., situated in a remote location beyond the audible or visual range of an attacker or intruder. The alarm feature can be used to interface with a centralised alarm system or to trigger a synthesised or pre-recorded auto dial telephone message to a chosen monitoring station.

Alternatively, terminals (6 and 7) can be used to control a second door.

[Refer to section ix) c) - Controlling a Second Door].

c) Controlling a Second Door (one keypad controls access through two doors)

Connector terminals 6 and 7 can be used as a relay output to control a second door. When the keypad is used for **second door control** the **Alarms** feature will be disabled. To configure the keypad for **second door control**, 'log on', then enter **8** to select **Relay 2 Set Function**. Listen for the 'accept beep'.

Then enter **1** to configure the relay for **second door control**, or enter **0** to re-configure the relay as an alarm output. Listen for the 'accept beep'. (Refer to chart opposite)

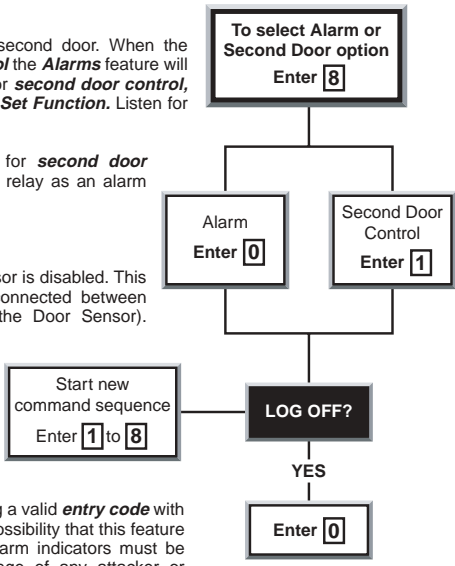
d) Door Monitoring (Door 1 only)

In its factory fitted format, the door sensor is disabled. This is because the hard wire bridge is connected between terminals 9 and 1 (0V Return and the Door Sensor). This disables the **door forced alarm** feature. To utilise the door sensor, remove the hard wire bridge and connect the door sensor to terminals 1 and 9.

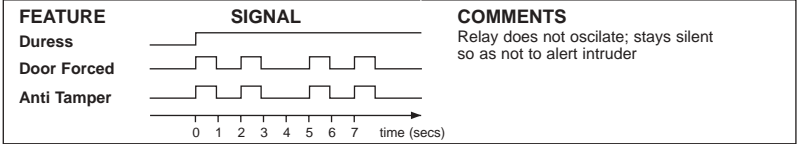
e) Activating the 'Operator Under Duress' Alarm

The **Operator Under Duress Alarm** can be activated at any time by prefixing a valid **entry code** with the numbers **9 1**. Note: if there is any possibility that this feature will be used, any visible or audible alarm indicators must be located out of audible and visual range of any attacker or intruder. [Refer to section ix) b) - Alarms].

SETTING THE ALARM / SECOND DOOR OPTION



f) Alarm Output Signal



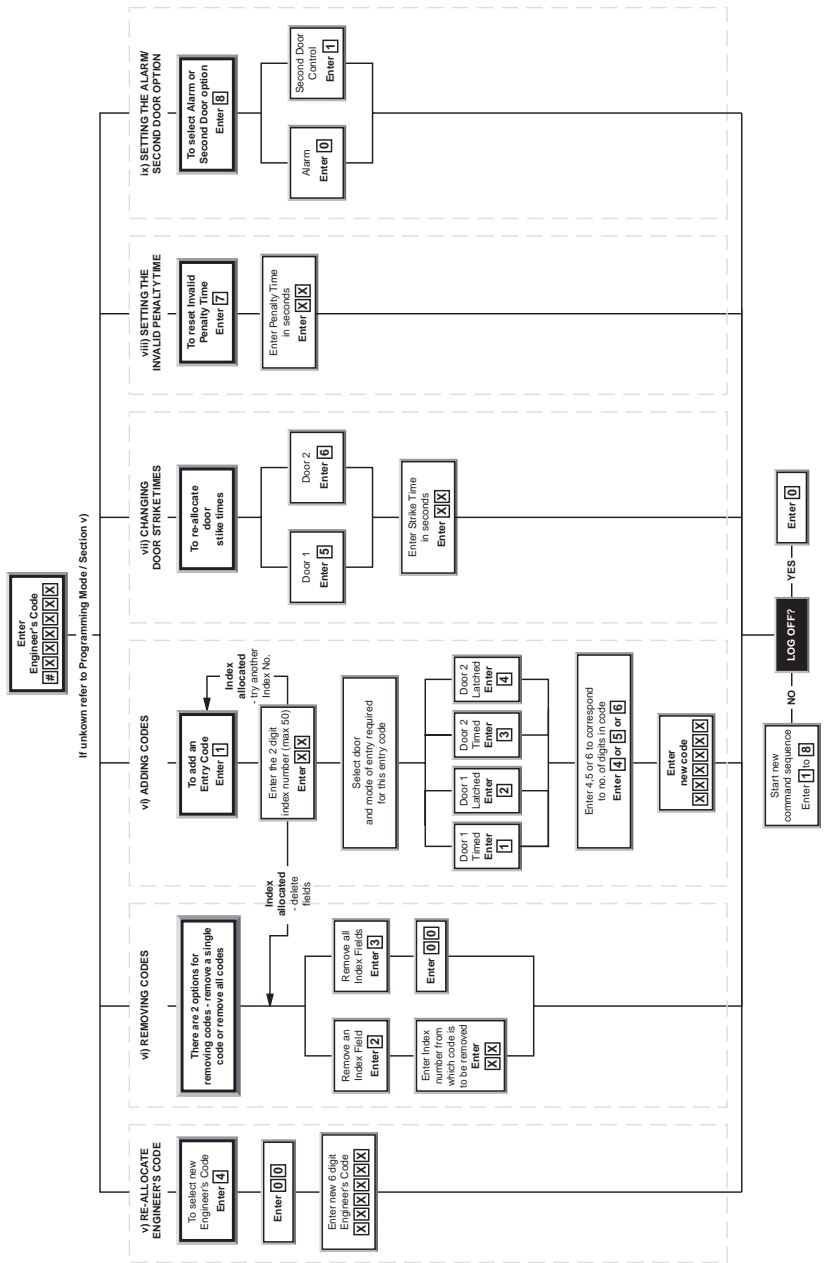
x) CODE INDEX DIRECTORY

CODE INDEX NO.	CODE HOLDER NAME OF PERSON/DEPARTMENT	DOOR		TYPE OF CODE	
		1	2	LATCHED	TIMED
00					
01					
02					
03					
04					
05					
06					
07					
08					
09					
10					
11					
12					
13					
14					
15					
16					
17					
18					
19					
20					
21					
22					
23					
24					
25					
26					
27					
28					
29					
30					
31					
32					
33					
34					
35					
36					
37					
38					
39					
40					
41					
42					
43					
44					
45					
46					
47					
48					
49					

FEATURE	FACTORY SET DEFAULT	OWNER SET CODES
Engineer's Code Door 1 'Strike Time' Door 2 'Strike Time' Invalid Code Penalty Time Relay 2 Output Relay 2 Configuration	111111 (change on installation) 5 seconds 5 seconds 15 seconds Alarms Mode Normally Open	(record separately in safe location)

xi) COMMAND SUMMARY CHART

(Detailed explanation of command sequences are located in sections v) to ix).



Whilst every effort is made to ensure that information given in this document is correct at time of print, Keymat Technology Ltd. can not be held responsible for any errors contained within.
STORM , AXS, STRIKE MASTER & CODE MASTER are trademarks of Keymat Technology Ltd, England.