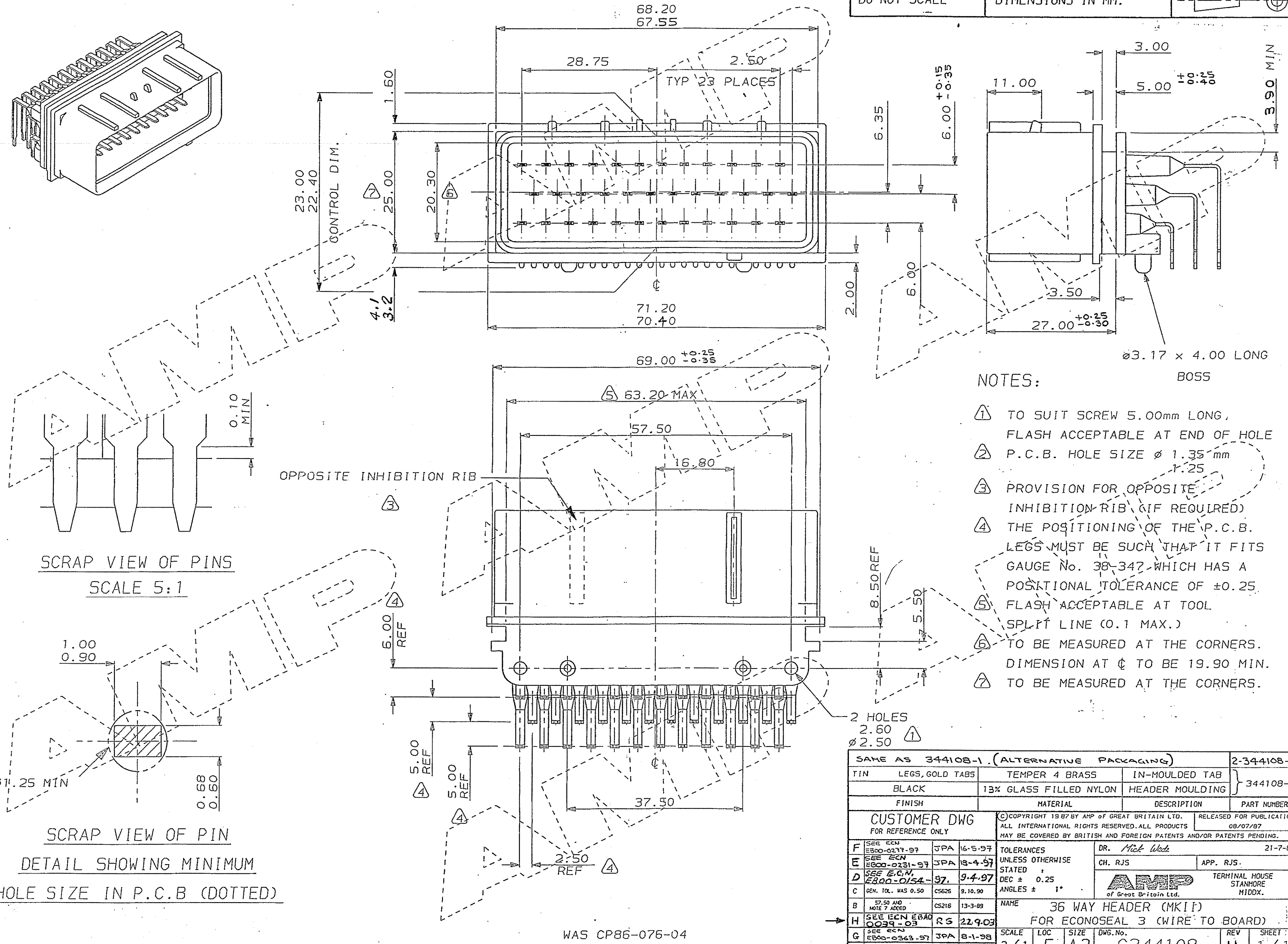
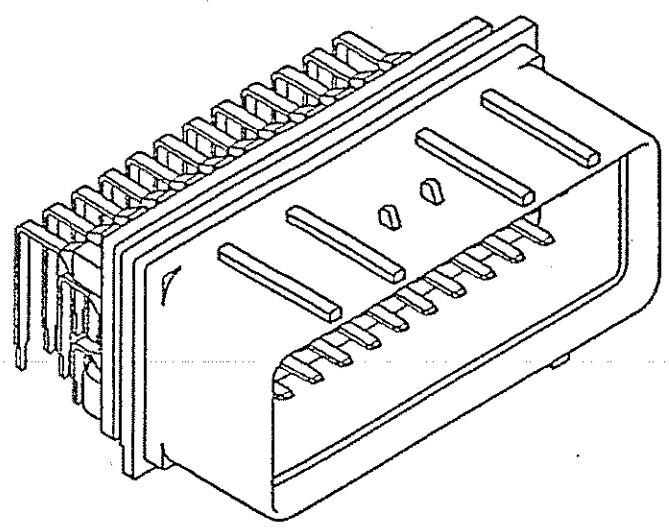


C.A.D. FILE CODE
S. C344108.

DO NOT SCALE DIMENSIONS IN MM.



- NOTES:
- ① TO SUIT SCREW 5.00mm LONG, FLASH ACCEPTABLE AT END OF HOLE
 - ② P.C.B. HOLE SIZE Ø 1.35 mm
 - ③ PROVISION FOR OPPOSITE INHIBITION RIB (IF REQUIRED)
 - ④ THE POSITIONING OF THE P.C.B. LEGS MUST BE SUCH THAT IT FITS GAUGE No. 38-347 WHICH HAS A POSITIONAL TOLERANCE OF ±0.25
 - ⑤ FLASH ACCEPTABLE AT TOOL SPLIT LINE (0.1 MAX.)
 - ⑥ TO BE MEASURED AT THE CORNERS. DIMENSION AT C TO BE 19.90 MIN.
 - ⑦ TO BE MEASURED AT THE CORNERS.

SCRAP VIEW OF PINS
SCALE 5:1

SCRAP VIEW OF PIN
DETAIL SHOWING MINIMUM
HOLE SIZE IN P.C.B (DOTTED)

SAME AS 344108-1 (ALTERNATIVE PACKAGING)				2-344108-1
TIN	LEGS, GOLD TABS	TEMPER 4 BRASS	IN-MOULDED TAB	344108-1
BLACK	13% GLASS FILLED NYLON	HEADER MOULDING		
FINISH		MATERIAL	DESCRIPTION	PART NUMBER
CUSTOMER DWG FOR REFERENCE ONLY		©COPYRIGHT 1987 BY AMP OF GREAT BRITAIN LTD. ALL INTERNATIONAL RIGHTS RESERVED. ALL PRODUCTS MAY BE COVERED BY BRITISH AND FOREIGN PATENTS AND/OR PATENTS PENDING.		RELEASED FOR PUBLICATION 08/07/87
F	SEE ECN EB00-0237-97	JPA	16-5-97	TOLERANCES UNLESS OTHERWISE STATED
E	SEE ECN EB00-0231-97	JPA	18-4-97	DEC ± 0.25
D	SEE E.C.N. EB00-0154-97	JPA	9-4-97	ANGLES ± 1°
C	GEN. TOL. WAS 0.50	CS625	9.10.90	
B	57.50 AND NOTE 7 ADDED	CS216	13-3-89	NAME
H	SEE ECN EB00-0295-93	RS	22-9-03	36 WAY HEADER (MKII) FOR ECONOSEAL 3 (WIRE TO BOARD)
G	SEE ECN EB00-0363-97	JPA	8-1-98	SCALE LOC SIZE DWG.No.
REV	APPROVED	ECN	DATE	2/1 E A2 C344108
				REV SHEET
				H 1/1

WAS CP86-076-04

* - 0.TIF - 9/15/03 8:14:42 AM