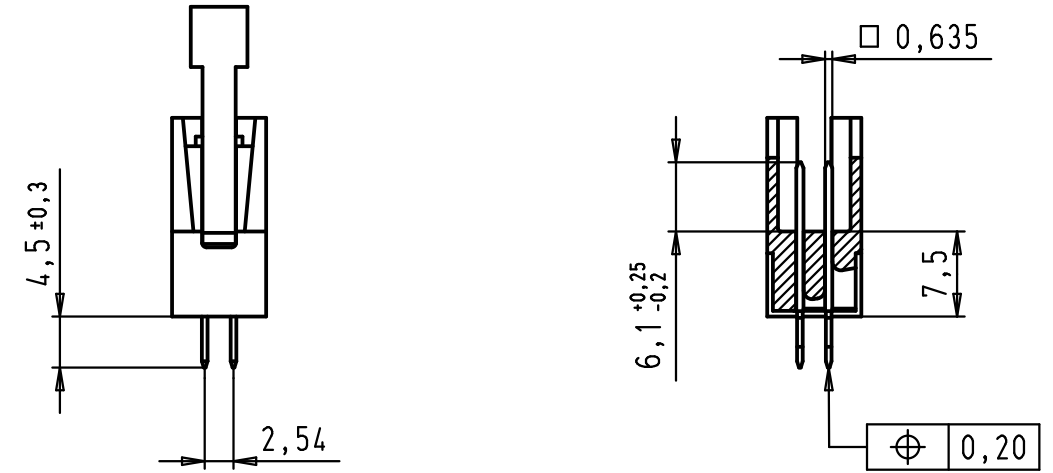
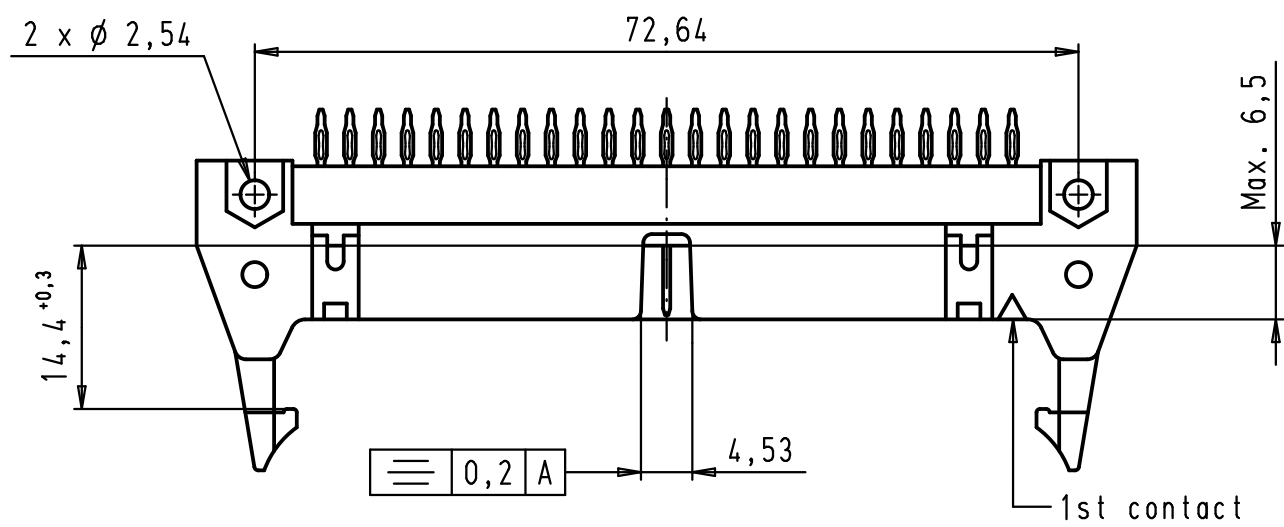
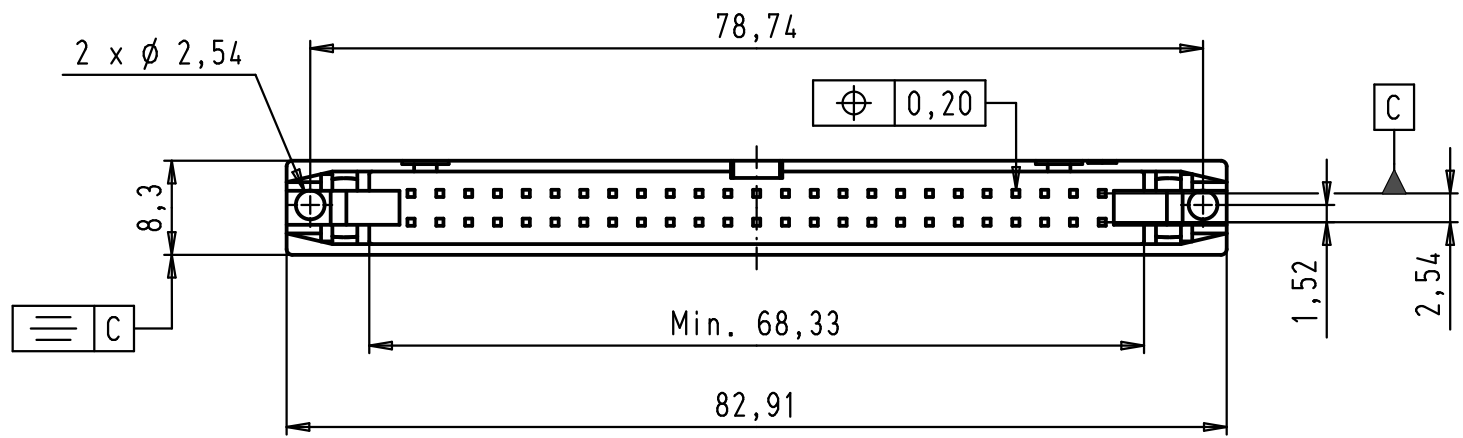
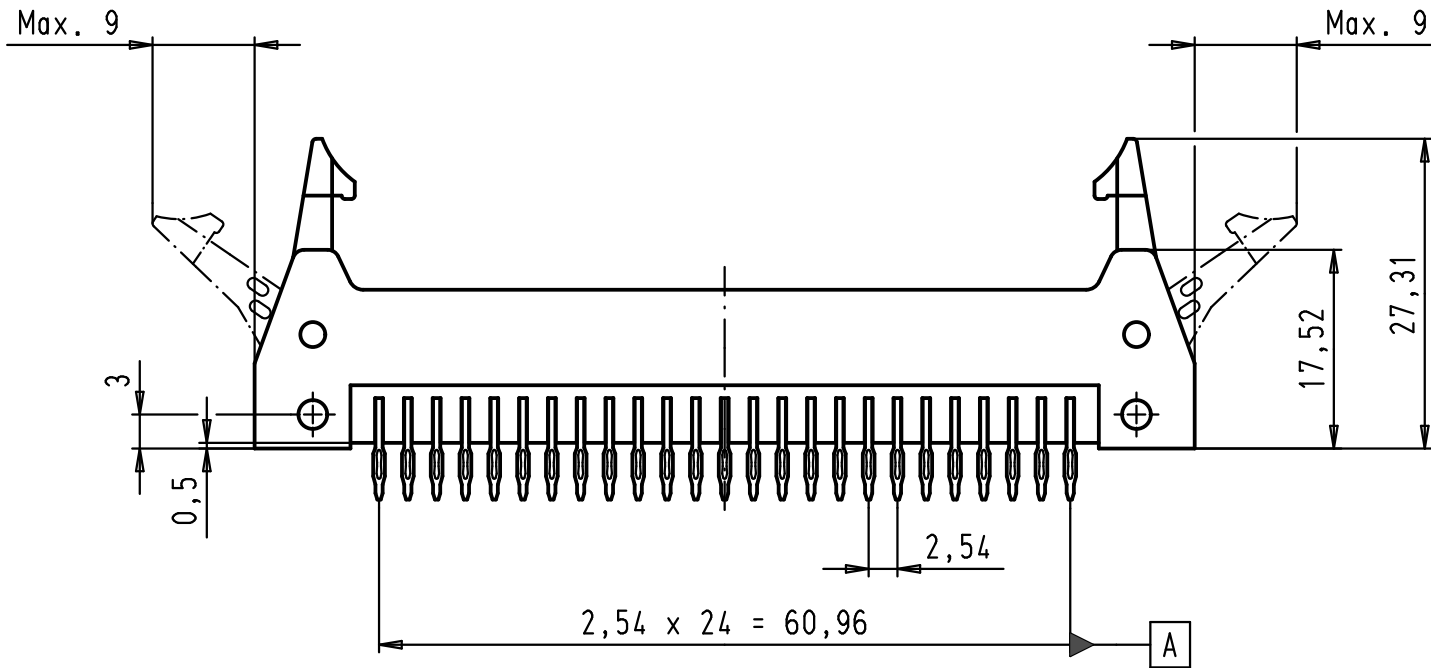
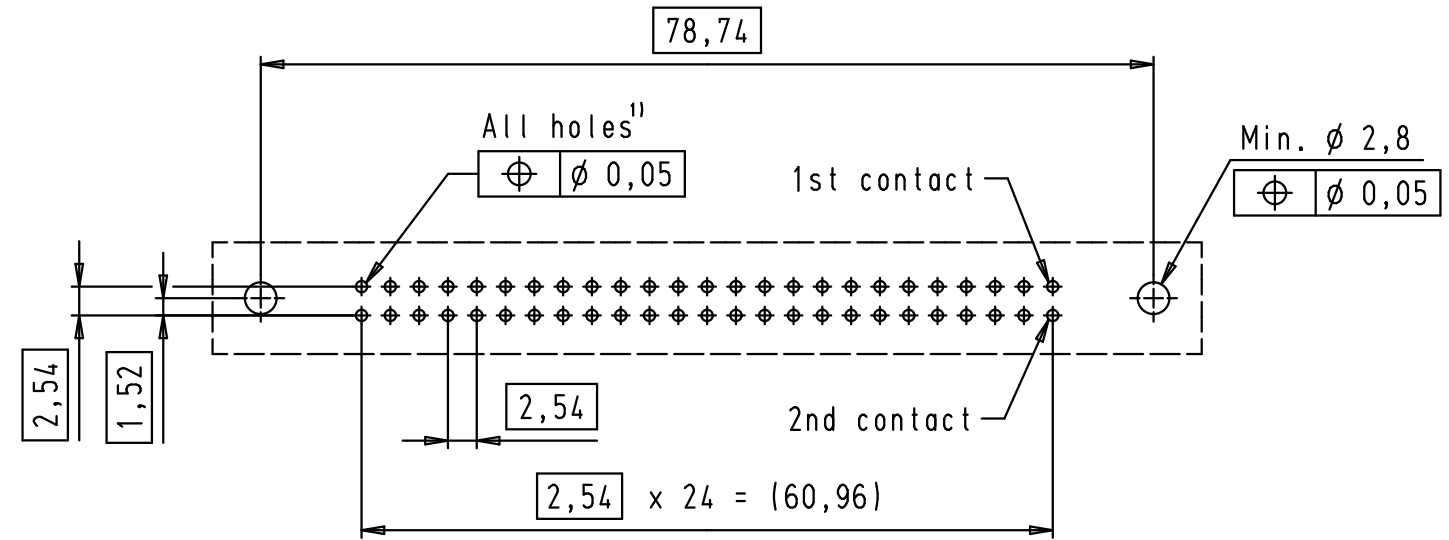


Alle Rechte vorbehalten/ All rights reserved



PCB layout, component side



1) Drilled hole for press fit: $\varnothing 1,133 / \varnothing 1,158$
 Finished hole for press fit: $\varnothing 0,94 / \varnothing 1,09$

09 18 550 7909	3
09 18 550 6909	2
09 18 550 5909	1 (0,76 μm Au)
Part number	Performance level

				Det.	Name	 All Dim. in mm Orig. Size DIN A 3	SEK 18 Male Connector Standard 50 poles Press in Long locking levers	Maßstab/ Scale 1,5:1	
				Detail.	11/09/06				PK
				Insp.					
EC00823	16/09/09	PK	Stand.						
33950	13/03/07	PK							
33803	11/09/06	PK							
Mod.	Det.	Name	HARTING EURL F-95972 Paris					TB 09 18 550 X909	Blatt/ Page 1 / 1
						Sub.			