

M6 & M10 P-CLIPS



FOR PIPES, CABLES AND HOSES



JCS P-CLIPS are available in two ranges for 6mm and 10mm bolts in both zinc-plated finish and 18/8 stainless steel. Two types of TPE liner with different service temperatures can be supplied.

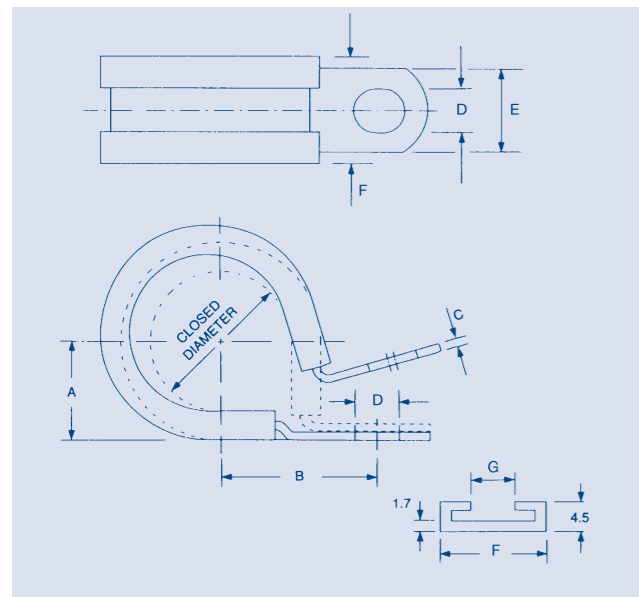
JCS DESIGN FEATURES

- Snug fitting TPE rubber liner absorbs vibration and prevents chafing of pipe or cable, and water penetration into the clamping area.
- The P-CLIP band has a special strengthening rib which keeps the clips flush with the surface it is bolted.
- The Zinc Plated version is heavily electro zinc plated on all surfaces including the edges for the very best corrosion resistance.
- The Stainless version is made from marine quality 18/8 Stainless Steel.
- The upper hole is elongated to help line up the fixing bolt when fitting.
- The TPE liners are UV and ozone resistant.
- Fixing nuts and bolts are not supplied.

OPTIONS

- Non standard sizes. Non standard liners. Quotations available upon request.

TECHNICAL SPECIFICATION M6 & M10



P-CLIP Type	D	E	F	G
M6	6.6	12.6	16.0	7.0
M10	10.8	20.0	23.0	12.0

All dimensions in mm.

M6 & M10 P-CLIPS

All JCS packaging includes a unique code number which gives full batch traceability.

M6 RANGE

size	closed dia	A	B	Zinc Plated C	Zinc Plated bag qty	Stainless C	Stainless bag qty
5	5	6	15	0.9	50	0.7	25
6	6	7	16	0.9	50	0.7	25
8	8	8	17	0.9	50	0.7	25
9	9	8	17	0.9	50	0.7	25
10	10	9	18	0.9	50	0.7	25
12	12	10	20	0.9	50	0.7	25
13	13	10	20	0.9	50	0.9	25
16	16	12	21	0.9	50	0.9	25
19	19	13	23	0.9	50	0.9	25
21	21	15	24	1.2	50	0.9	25
22	22	15	25	1.2	50	0.9	25
25	25	17	26	1.2	50	0.9	25
28	28	18	28	1.2	50	0.9	25
29	29	19	28	1.2	50	0.9	25
32	32	20	30	1.2	50	0.9	25
35	35	22	31	1.2	50	0.9	25
40	40	24	34	1.2	50	0.9	25
44	44	26	36	1.2	25	0.9	25
48	48	28	38	1.2	25	0.9	25
52	52	30	40	1.2	25	0.9	25
56	56	32	42	1.2	25	0.9	25
60	60	34	44	1.2	25	0.9	25

M10 RANGE

size	closed dia	A	B	Zinc Plated C	Zinc Plated bag qty	Stainless C	Stainless bag qty
6	6	7	21	0.9	25	0.7	25
8	8	8	22	0.9	25	0.7	25
10	10	9	23	0.9	25	0.7	25
13	13	10	24	0.9	25	0.9	25
16	16	12	26	0.9	25	0.9	25
19	19	13	28	0.9	25	0.9	25
22	22	15	29	1.2	25	0.9	25
25	25	17	31	1.2	25	0.9	25
28	28	18	32	1.2	25	0.9	25
32	32	20	34	1.2	25	0.9	25
36	36	22	36	1.2	25	0.9	25
40	40	24	38	1.2	25	0.9	25
44	44	26	40	1.2	25	0.9	25
48	48	28	42	1.2	25	0.9	25
52	52	30	44	1.2	25	0.9	25

All dimensions in mm.

Material Specification

Zinc Plated P-Clip:
Mild Steel - bright zinc plated and passivated

Stainless P-Clip:
BS304 - EN1.4301-18/8 stainless steel

Liners:

Standard Liner: TPE rubber (black) - 65 IRHD hardness. Service temperature -30 °C to +60 °C

High Temperature Liner: TPE 160 (grey) - 60 IRHD hardness. Service temperature -50 °C to +160 °C

All JCS packaging includes a unique code number which gives full batch traceability.

M6 P-CLIPS



Bolt Size = 6mm
Band Width = 12mm
Available with Standard & High Temperature Liners

M10 P-CLIPS



Bolt Size = 10mm
Band Width = 20mm
Available with High Temperature Liners only

PACKAGING

All P-Clips are packed in bags

