

Flow and check valves → Check-choke valves

Series CC01

► Qn = 32 - 5600 l/min ► direction of throttle: 1 → 2 ► internal thread - internal thread



00108479_1

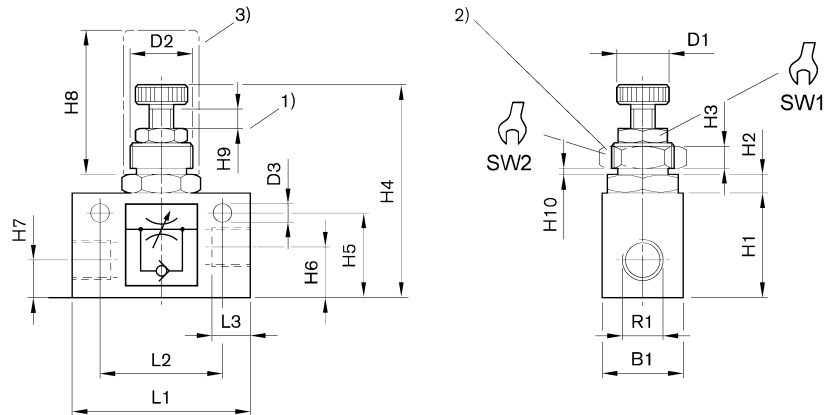
Working pressure min./max. 0.5 bar / 10 bar
 Ambient temperature min./max. +0°C / +80°C
 Medium temperature min./max. +0°C / +80°C
 Medium Compressed air

Materials:
 Housing Aluminum, anodized
 Flow control screw Steel, galvanized
 Seal Acrylonitrile Butadiene Rubber

	Port 1	Port 2	Throttle bore	Qn 1 → 2	Weight	Delivery quantity	Note	Part No.
			[mm]	[l/min]	[kg]	[Piece]		
	G 1/8	G 1/8	1	32	0.04	1	Fig. 1	0821200009
	G 1/8	G 1/8	2	130	0.04		Fig. 1	0821200008
	G 1/4	G 1/4	4	550	0.15		Fig. 1	0821200005
	G 3/8	G 3/8	9	1600	0.26		Fig. 2	0821200014
	G 1/2	G 1/2	8.5	2750	0.67		Fig. 3	0821200003
	G 3/4	G 3/4	17.5	5400	0.64		Fig. 4	0821200015
	G 1	G 1	17.5	5600	0.64		Fig. 4	0821200016

Nominal flow Qn at 6 bar and Δp = 1 bar

Fig. 1



00109106

- 1) throttle setting range
- 2) nut for control panel installation
- 3) protective cap

Part No.	R1	B1	D1	D2	D3	H1	H2	H3	H4	H5	H6	H7
0821200009	G 1/8	16	10	M12x1	4.5	20	4	4	56	16.5	8	8
0821200008	G 1/8	16	10	M12x1	4.5	20	4	4	56	16.5	8	8
0821200005	G 1/4	25	13	M20x1,5	5.5	32	5.5	6	70	26	15	11

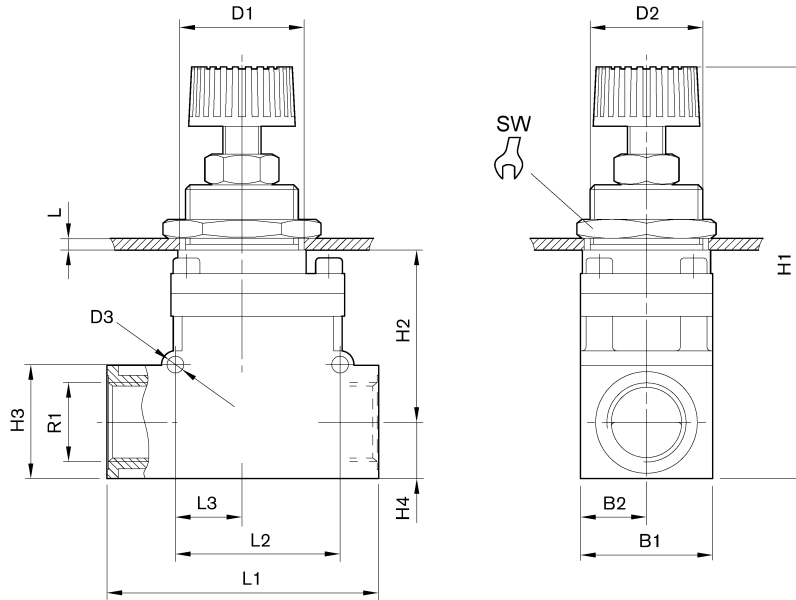
Part No.	H8	H9	H10	L1	L2	L3	SW1	SW2				
0821200009	35	4	3.5	35	25	8	10	17				
0821200008	35	4	3.5	35	25	8	10	17				
0821200005	40	5	3.5	55	38	12	13	24				

Flow and check valves → Check-choke valves

Series CC01

► Qn = 32 - 5600 l/min ► direction of throttle: 1 → 2 ► internal thread - internal thread

Fig. 2



00109108

Part No.	R1	B1	B2	D1	D2	D3	H1	H2	H3	H4	L 1)	L1
0821200014	G 3/8	35	17.5	30.5	30	4.5	102-109	46	30	15	12	72
Part No.	L2	L3	SW									
0821200014	44	18	36									

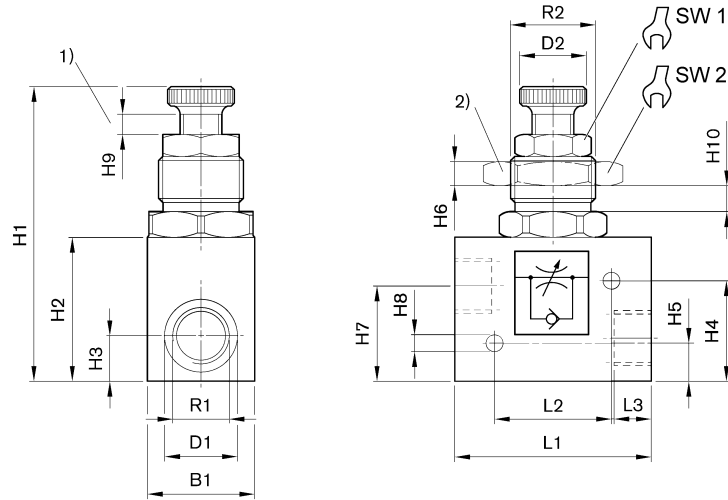
1) max.

Flow and check valves → Check-choke valves

Series CC01

► Qn = 32 - 5600 l/min ► direction of throttle: 1 → 2 ► internal thread - internal thread

Fig. 3



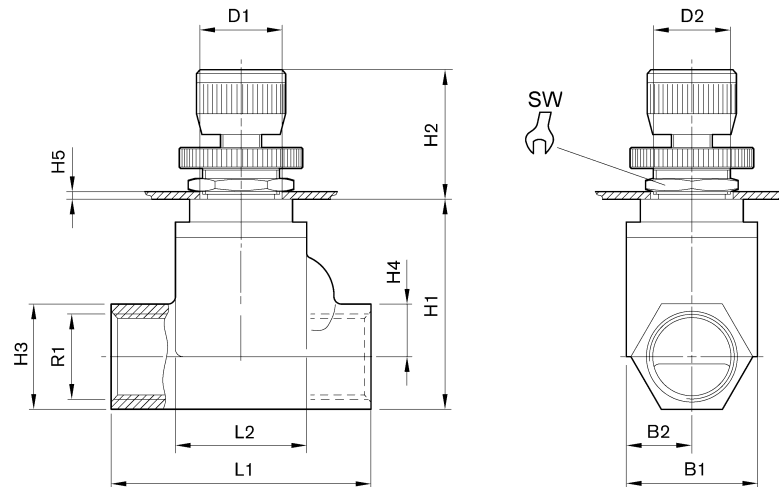
00109107

- 1) throttle setting range
- 2) nut for control panel installation

Part No.	R1	B1	D1	D2	H1	H2	H3	H4	H5	H6	H7	H8
0821200003	G 1/2	40	27	25	120	56	17	40.5	15.5	9	37	6.5
Part No.	H9	H10 1)	L1	L2	L3	R2	SW1	SW2				
0821200003	8	9	75	45	14	M32x1,5	24	46				

1) max.

Fig. 4



00109110

Flow and check valves → Check-choke valves

Series CC01

► Qn = 32 - 5600 l/min ► direction of throttle: 1 → 2 ► internal thread - internal thread

Part No.	R1	B1	B2	D1	D2	H1	H2	H3	H4	H5 1)	L1	L2
0821200015	G 3/4	50	25	30.5	30	82	47-57,5	41	20.5	6	100	51
0821200016	G 1	50	25	30.5	30	82	47-57,5	41	20.5	6	100	51
Part No.	SW											
0821200015	36											
0821200016	36											

1) max.
