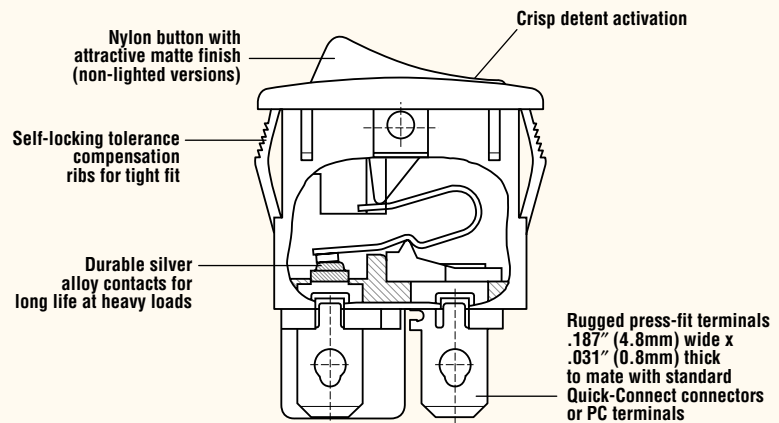


## MINIATURE ROCKER SWITCH

# LR Series

### Features

- Single-pole and double-pole configurations
- Lighted and non-lighted options
- Available in a wide variety of colors
- High current switching in a compact package
- Variety of terminal styles available
- Self-locking tabs to fit industry-standard panel cut-outs
- Mechanical life: min. 100,000 operations



### Electrical Ratings

Switch Series	EN61058 Rating	UL1054 Rating	Electrical Life at Rated Load	
			According to VDE (Min. Operations)	According to UL (Min. Operations)
LR	10(4)A, 250V~, T125/55	10A, 125VAC; 8A, 250VAC; 1/4HP, 125/250VAC	10,000	6,000

### Specifications

#### Electrical

Dielectric Strength:	1000VAC for 1 minute
Insulation Resistance:	10 <sup>8</sup> ohms min at 500VDC
Initial Contact Resistance:	0.020 ohms max
Temperature Range:	-20°C to +85°C

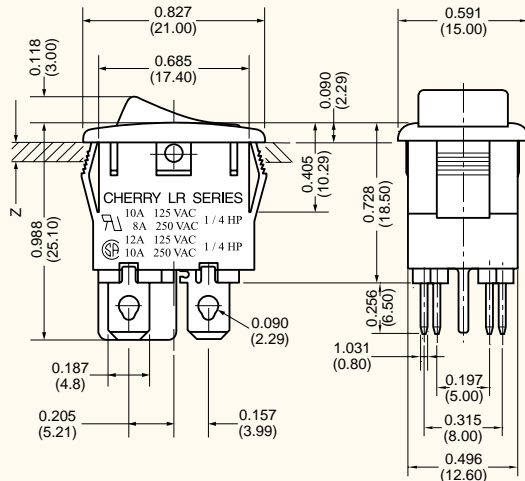
#### Materials

Actuator (non-lighted):	Nylon 66 94V-2
Actuator (lighted):	Polycarbonate
Case:	Nylon 66 94V-2
Contacts:	Silver Alloy
Movable Arm:	Copper Alloy
Terminals:	Tin-Plated Copper Alloy

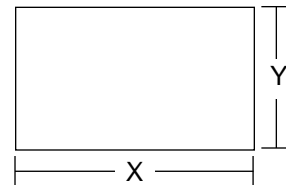
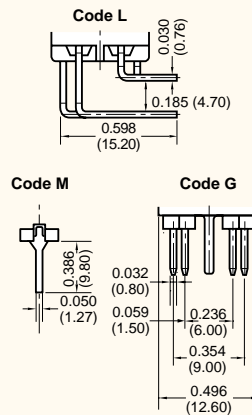




## Dimensions inches (mm)



### Terminals



Z = Panel Thickness

## Recommended Panel Cut-Out Dimensions inches (mm)

Dim. Z	Dim. X	Dim. Y
0.030 to 0.049 (0.75 to 1.25)	0.752 (19.10)	0.508 (12.90)
0.049 to 0.079 (1.25 to 2.00)	0.760 (19.30)	0.508 (12.90)
0.079 to 0.118 (2.00 to 3.00)	0.775 (19.69)	0.508 (12.90)

## Examples of Common Part Numbers and Descriptions inches (mm)

Part Number	Circuitry	Switch Function	Terminal Type	Actuator/ Housing Color	Legend Marking
LRA22H2FBBNN		On – Off	0.187 (4.8) Quick-Connect	Black/Black	
LRA32H2FBBNN		On – Off	0.187 (4.8) Quick-Connect	Black/Black	
LRA22H2BBBNN		On – Off	0.187 (4.8) Quick-Connect	Black/Black	
LRA32H2BBBNN		On – Off	0.187 (4.8) Quick-Connect	Black/Black	
LRA22H2BBRLN		On – Off/Lighted	0.187 (4.8) Quick-Connect	Red/Black	
LRA32H2BBRLN		On – Off/Lighted	0.187 (4.8) Quick-Connect	Red/Black	

Boot #0015-0644

## Ordering Information

Code	Contact Rating	Code	Circuitry	Code	Switch Function	Code	Terminal Type inches (mm)	Code	Actuator Type	Code	Actuator Marking	Code	Housing Color	Code	Actuator Color	Code	Lighted	Code	Splashproof	
LR	A 10A, 125VAC; 8A, 250VAC; 1/4HP, 125/250VAC (UL) 12A, 125VAC; 10A, 250VAC; 1/4HP, 125/250VAC (CSA) 10(4)A 250 V-, T125/55 (VDE)	2	Single-Pole	2	On – Off	H	0.187 (4.8) QC	2	Curve	F	O	E	Charcoal Grey	N	E	Charcoal Grey	N	N	N	No Rocker Boot
A		3	Double-Pole	L	PC Thru-Hole Right Angle	L	0.187 (4.8) QC	D	Blank	B	O	B	Black	L	B	Black	L	L	L	Rocker Boot
				M	PC Thru-Hole Straight	L	0.187 (4.8) QC	D	Blank	W	I	W	White	L	G	Green	L	L	L	
				G	Flat Bezel; 0.240 (6.10) QC Terminal Spacing	L	0.187 (4.8) QC	D	Blank	Y	I	Y	Grey	L	A	Amber	L	L	L	
						L	0.187 (4.8) QC	D	Blank	F	-	F	Grey	L	R	Red	L	L	L	
						L	0.187 (4.8) QC	D	Blank	G	•	G	Brown	L	W	White	L	L	L	
						L	0.187 (4.8) QC	D	Blank					L	Y	Grey	L	L	L	
						L	0.187 (4.8) QC	D	Blank					L	S	Translucent Red	L	L	L	
						L	0.187 (4.8) QC	D	Blank					L	C	Brown	L	L	L	

Specifications subject to change without notice.