

Precision-Aire™ PLM Mounts

Pneumatic Leveling Mounts

Precision-Aire™ pneumatic leveling mounts provide low frequency vibration and shock control for surface plates, coordinate measuring machines, fans, air compressors, motor / generator sets, high speed punch presses and more.



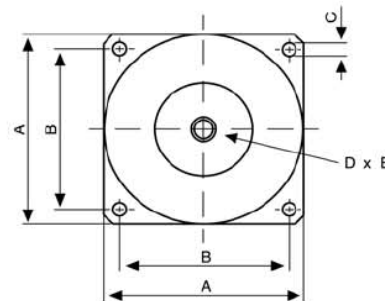
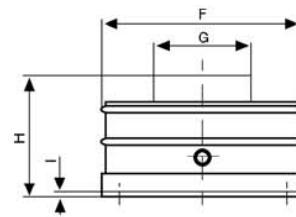
The Fabreeka PLM series pneumatic isolation mounts are low frequency vibration and shock isolators which provide both attenuation of disturbing vibration and equipment leveling.

For vibration control applications, the pneumatic portion of these mounts provide significant reduction of vibration occurring at frequencies above 5.0 Hz.

PLM isolation mounts will continue to isolate with no pressure having a vertical natural frequency of approximately 10.0 Hz.

The vertical to horizontal natural frequency ratio is approximately 1:1 with a degree of horizontal stability.

For shock or impact applications, the outer elastomeric wall construction provides a high deflection shock mount. A low natural frequency (3.0 Hz) can be maintained by utilizing an external spacer to prevent a "bottom out" condition.



PLM Mount Specifications

Model	Dimensions (mm)									Max Load lbs. (kg)
	A	B	C	D	E	F	G	H	I	
PLM 1	3.00 [76.2]	2.38 [60.4]	0.28 [6.9]	0.375-16 UNC-2B	0.47 [11.9]	2.88 [73.2]	1.00 [25.4]	2.50 [63.5]	0.125 [3.2]	100 [45]
PLM 3	4.19 [106.4]	3.50 [88.9]	0.28 [6.9]	0.500-13 UNC-2B	0.53 [13.5]	4.14 [105.2]	1.75 [44.4]	2.45 [62.2]	0.125 [3.2]	300 [136]
PLM 6	5.12 [130.0]	4.25 [108.0]	0.29 [7.4]	0.500-13 UNC-2B	0.53 [13.5]	4.99 [126.7]	2.13 [54.1]	3.50 [88.9]	0.125 [3.2]	600 [272]
PLM 12	6.88 [174.8]	6.00 [152.4]	0.29 [7.4]	0.500-13 UNC-2B	0.53 [13.5]	6.74 [171.2]	3.00 [76.2]	3.50 [88.9]	0.125 [3.2]	1200 [544.3]
PLM 24	10.0 [254.0]	8.50 [215.9]	0.56 [14.2]	0.625-11 UNC-2B	0.75 [19.0]	9.66 [245.4]	4.75 [138.2]	3.50 [88.9]	0.188 [4.8]	2400 [1089]
PLM 48	13.50 [342.9]	12.00 [304.8]	0.56 [14.2]	0.625-11 UNC-2B	0.75 [19.0]	13.31 [338.1]	7.50 [190.5]	3.50 [88.9]	0.188 [4.8]	4800 [2177]
PLM 96	18.50 [469.9]	16.00 [406.4]	0.81 [20.6]	1.000-14 UNS-2B	0.88 [22.4]	18.44 [468.4]	10.50 [266.7]	3.50 [88.9]	0.250 [6.4]	9600 [4354]
PLM 192	24.00 [609.6]	20.00 [508.0]	0.81 [20.6]	1.000-14 UNS-2B	0.88 [22.4]	24.00 [609.6]	15.75 [400.1]	3.50 [88.9]	0.250 [6.4]	19200 [8709]