



Series 518 Surface Mount Open Frame Collet Sockets

FEATURES:

- Open frame allows for more efficient utilization of board space and better cooling.
- Compatible with automatic insertion equipment.
- Side-to-side and end-to-end stackable.

SPECIFICATIONS:

- Body material is black UL 94V-0 Glass-Filled 4/6 Nylon.
- Pin body is Brass Alloy 360 1/2 hard per UNS C36000 ASTM-B16-00.
- Pin body plating is either 200 μ [5.08 μ m] min. 93/7 Tin/Lead per ASTM B545 or 200 μ [5.08 μ m] min. Tin per ASTM B545 Type 1 over 100 μ [2.54 μ m] min. Nickel per SAE-AMS-QQ-N-290.
- 4-fingered collet contact is Beryllium Copper Alloy per UNS C17200 ASTM-B194-01.
- Contact plating is 10 μ [2.5 μ m] Gold per MIL-G-45204 over 50 μ min. [1.27 μ m] Nickel per SAE-AMS-QQ-N-290.
- Contact current rating=3 Amps.
- Operating temperature= -67°F to 221°F [-55°C to 105°C].
- Insertion Force=180 grams/pin; Withdrawal Force=90 grams/pin; Normal Force=140 grams/pin; based on a .018 [.46] dia. test lead.
- Accepts leads .015-.025 [.38-.64] in diameter, .100-.125 [2.54-3.18] long.

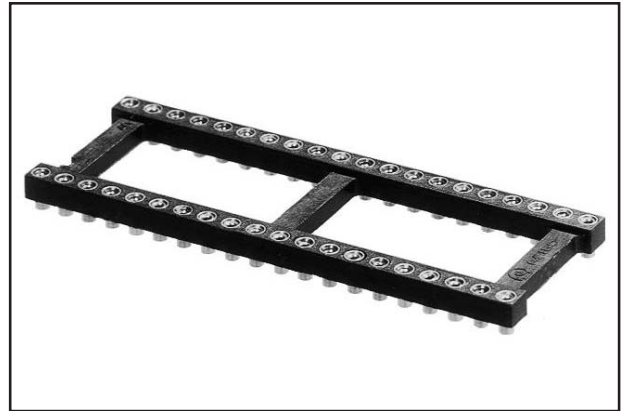
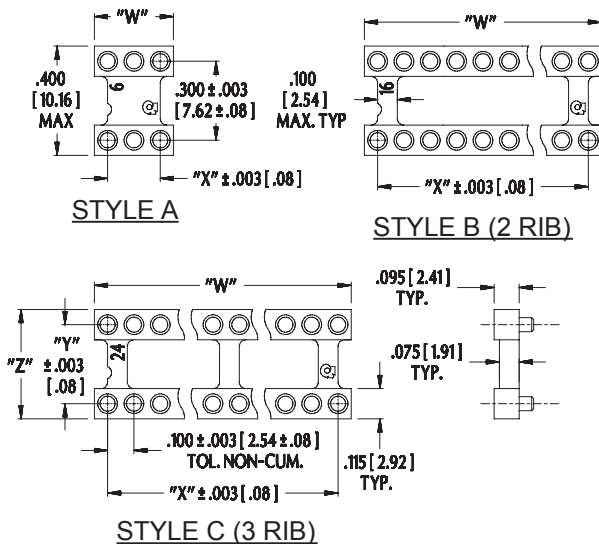
MOUNTING CONSIDERATIONS:

- Suggested PCB pad size=.063 [1.60] dia.

ALL DIMENSIONS: INCHES [MILLIMETERS]

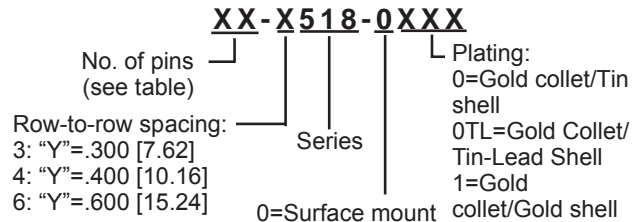
All tolerances \pm .005 [.13] unless otherwise specified

"W"=(NO. OF PINS PER ROW) X .100 [2.54]
 "X"=(NO. OF PINS PER ROW - 1) X .100 [2.54]



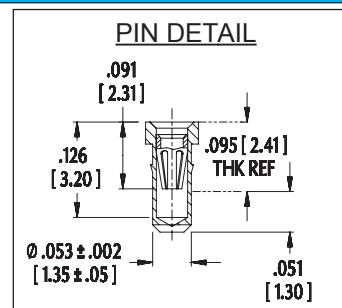
Note: Aries specializes in custom design and production. In addition to the standard products shown on this page, special materials, platings, sizes, and configurations can be furnished, depending on quantities. Aries reserves the right to change product specifications without notice.

ORDERING INFORMATION



Other collet pins are available. Consult Data Sheet No. 12016 for solder tail pins and 12017 for wire wrap pins.

Open Frame Capacitor Sockets also available. Consult Data Sheet Nos. 12026 and 12027.



Frame Style	No. of Ribs	Centers "Y"	Dim. "Z"	Available Sizes
A	1	.300 [7.62]	.400 [10.16]	6
B	2	.300 [7.62]	.400 [10.16]	8,14,16,18,20
		.400 [10.16]	.500 [12.70]	20,22
C	3	.300 [7.62]	.400 [10.16]	24,28
		.400 [10.16]	.500 [12.70]	24
		.600 [15.24]	.700 [17.78]	24,28,32



Bristol, PA USA
 TEL: (215) 781-9956
 FAX: (215) 781-9845



12018
 REV. F