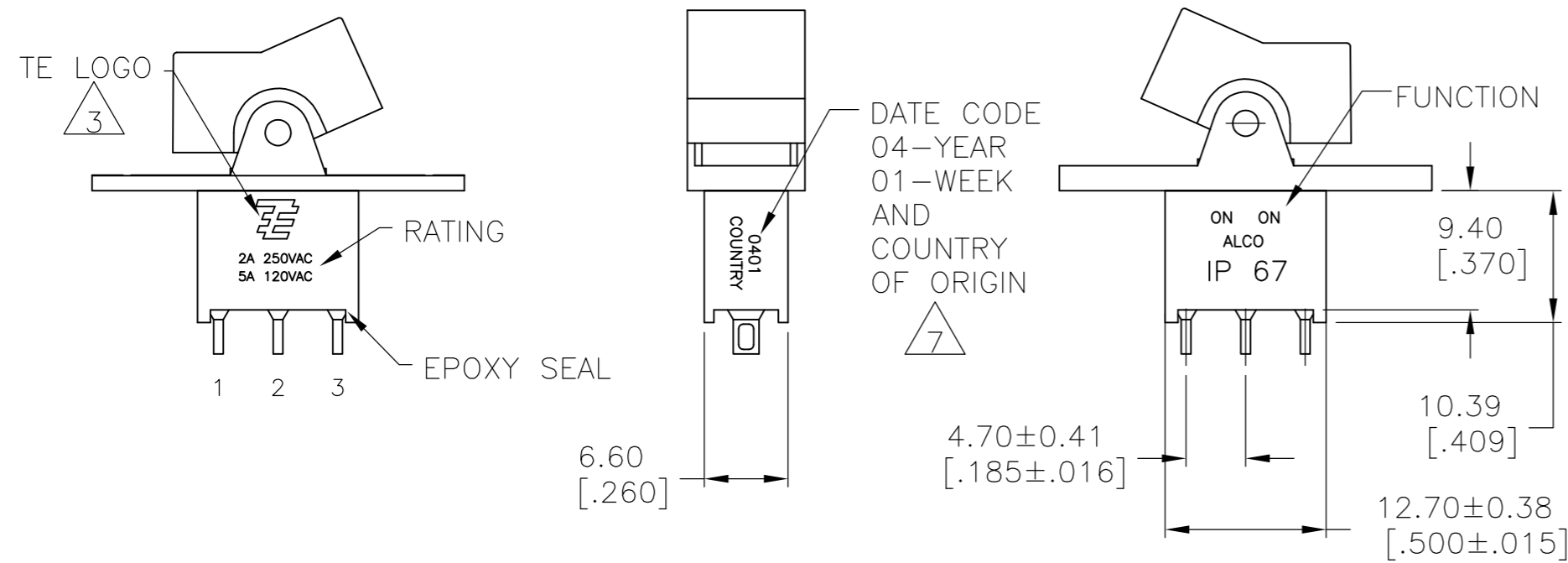


THIS DRAWING IS UNPUBLISHED. RELEASED FOR PUBLICATION
 © COPYRIGHT BY TYCO ELECTRONICS CORPORATION. ALL RIGHTS RESERVED.

LOC		DIST		REVISIONS			
P	LTR	DESCRIPTION	DATE	DWN	APVD		
	A5	REVISED PER ECO-10-009310	07MAY10	HMR	MW		



- ALL MATERIALS AND FINISHES SHALL COMPLY WITH EU DIRECTIVE 2002/95/EC OF 27JAN2003 (ROHS).
- G CONTACT OPTION CAN BE USED FOR SIGNAL OR POWER LEVEL SWITCHING. IF SWITCH IS USED AT LEVELS EXCEEDING .4VA @ 20V AC/DC, SWITCH IS RENDERED FOR POWER SWITCHING ONLY DUE TO ARC REMOVAL OF GOLD PLATING. RATING STAMPED ON THE SWITCH IS 2A 250VAC, 5A 120VAC.
- TE LOGO PER TEC-202-36.
- SWITCHES MEET REQUIREMENTS OF IP67
- PANEL MOUNT ACTUATOR PIVOT SUPPLIED WITH C, W, W4, Z & Z3 TERMINATIONS. PC MOUNT ACTUATOR PIVOT SUPPLIED WITH A, AV2, V3 & V4 TERMINATIONS
- DATE CODE AND COUNTRY OF ORIGIN MAY APPEAR ON EITHER SIDE OF SWITCH.

FUNCTION CHART

FUNCTION	Diagram 1	Diagram 2	Diagram 3
01	ON	NONE	ON
03	ON	OFF	ON
05	(ON)	OFF	(ON)
07	ON	OFF	(ON)
08	ON	NONE	(ON)
TERMINALS CONNECTED	2-3	---	1-2

NONE: NO MECHANICAL POSITION
 OFF: MECHANICAL POSITION WITH NO ELECTRICAL CONNECTION
 (ON): MOMENTARY ACTION

SPECIFICATIONS

RATING, B CONTACTS	.4VA MAX @20V MAX. AC OR DC
RATING, G CONTACTS—SEE NOTE 2	.4VA MAX @20V MAX. AC OR DC OR
	5A @120 VAC OR 28 VDC (RESISTIVE)
RATING, Q CONTACTS	2A @250 VAC (RESISTIVE)
	5A @120 VAC OR 28 VDC (RESISTIVE)
ELECTRICAL LIFE	6,000 CYCLES AT RATED LOAD
CONTACT RESISTANCE	10 MILLIOHMS MAX INITIAL @ 2-4VDC, 100MA
INSULATION RESISTANCE	1,000 MEGOHMS MIN
DIELECTRIC WITHSTANDING VOLTAGE	1,000 V RMS AT SEA LEVEL
OPERATING TEMPRATURE	-30C TO 85C

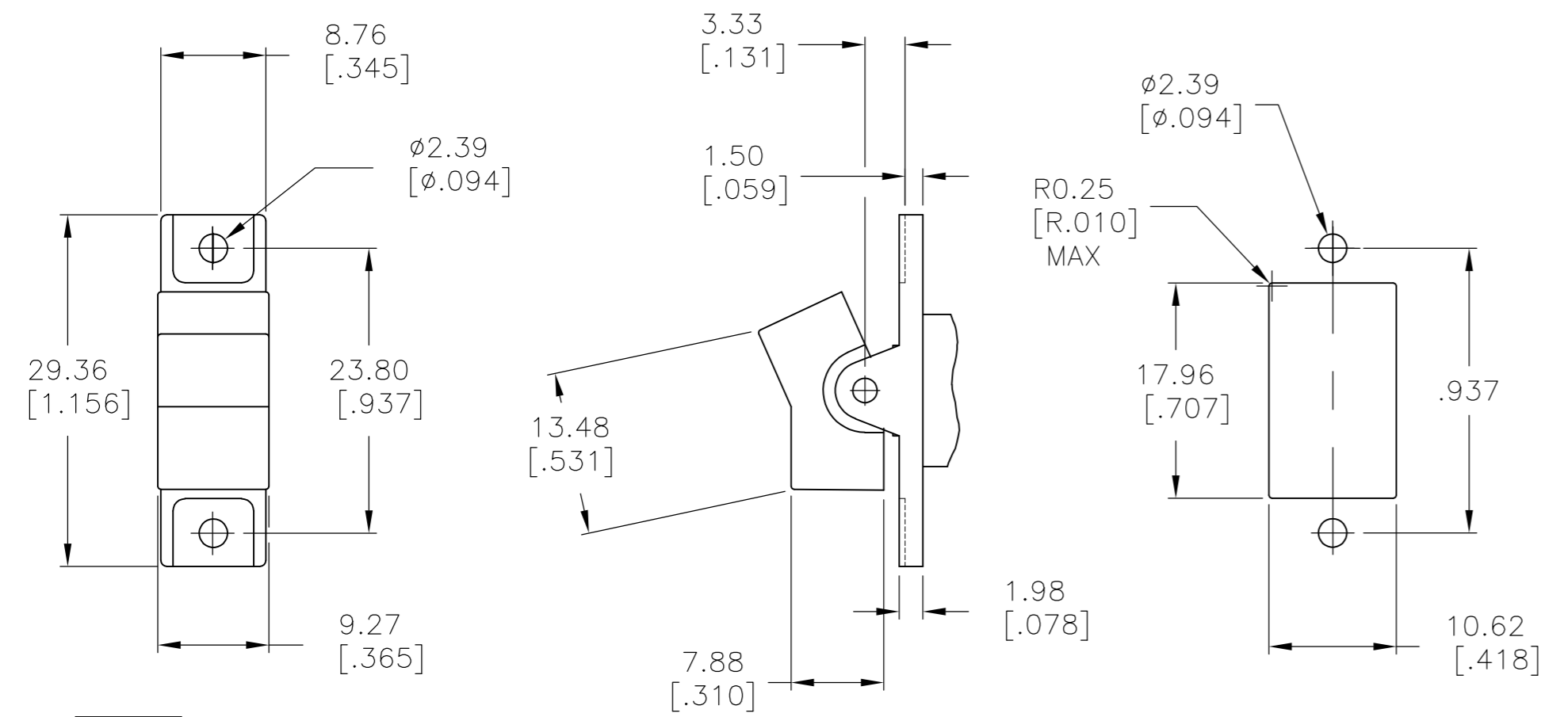
PART NUMBER SEQUENCE

MODEL	FUNCTION	TOGGLE	TERMINAL	CONTACT	ACTUATOR COLOR	ROHS
AE1						04
	01	J1	A	B	0 BLACK (STD)	
	03	J50	AV2	G	1 BROWN	
	05	J2	C	Q	2 RED	
	07	J60	V3		3 ORANGE	
	08		V4		4 YELLOW	
			W		5 GREEN	
			W4		6 BLUE	
			Z		8 GRAY	
			Z3		9 WHITE	

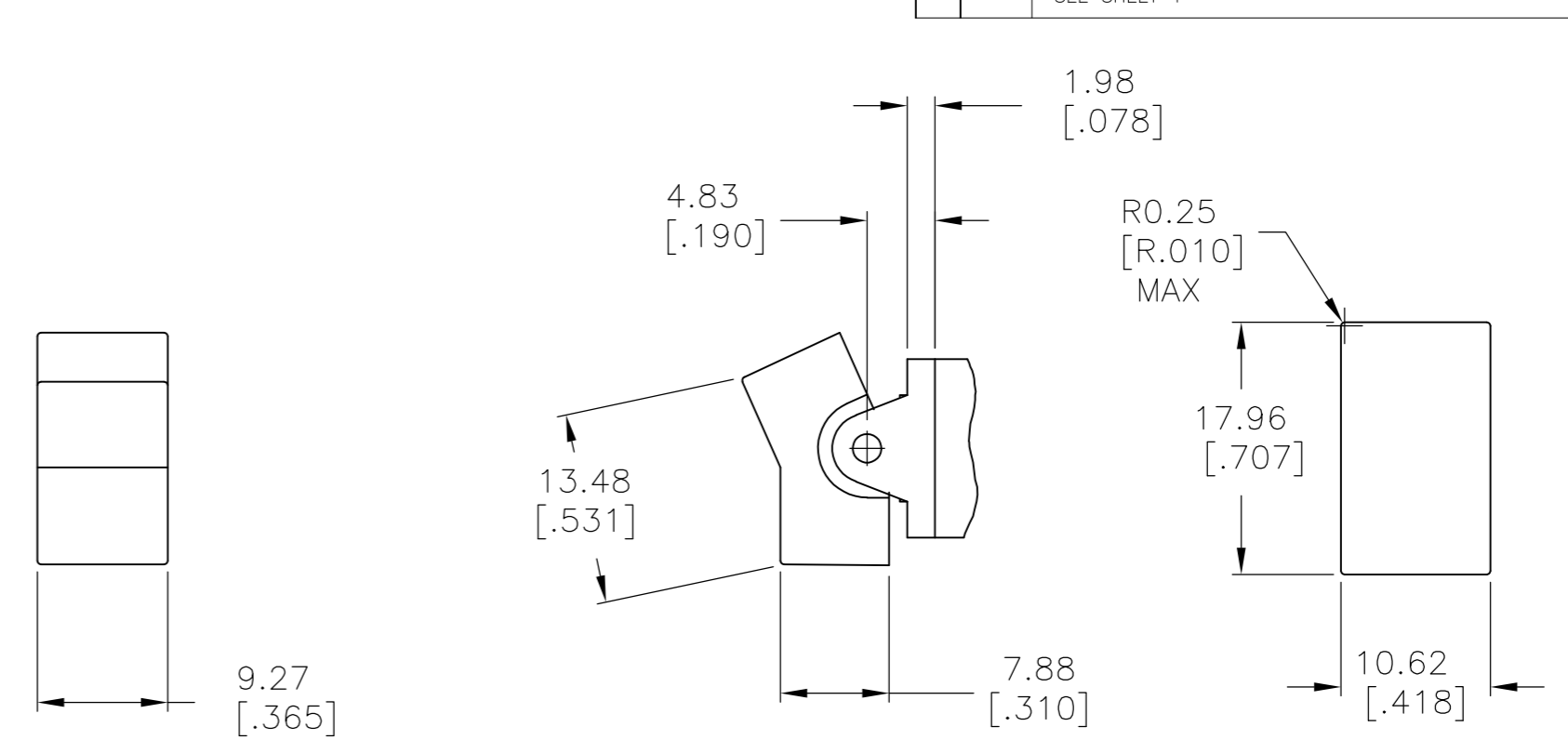
THIS DRAWING IS A CONTROLLED DOCUMENT.		DWN: M.BINNER 06JAN05	Tyco Electronics Corporation Harrisburg, PA 17105-3608	
DIMENSIONS: mm [INCHES]		CHK: M.ZITTO 06JAN05		
TOLERANCES UNLESS OTHERWISE SPECIFIED:		APVD: M.ZITTO 06JAN05	NAME: GEMINI AE SERIES ROCKER SWITCH SINGLE POLE	
0 PLC ± - 1 PLC ± - 2 PLC ± - 3 PLC ± .010 4 PLC ± - ANGLES ± 4°		PRODUCT SPEC: -	SIZE: A2	
MATERIAL: -		APPLICATION SPEC: -	CAGE CODE: 00779	DRAWING NO: 1571988
FINISH: -		WEIGHT: -	SCALE: 2:1	SHEET: 1 of 5
CUSTOMER DRAWING			REV: A5	RESTRICTED TO: -

THIS DRAWING IS UNPUBLISHED. RELEASED FOR PUBLICATION
 © COPYRIGHT BY TYCO ELECTRONICS CORPORATION. ALL RIGHTS RESERVED.

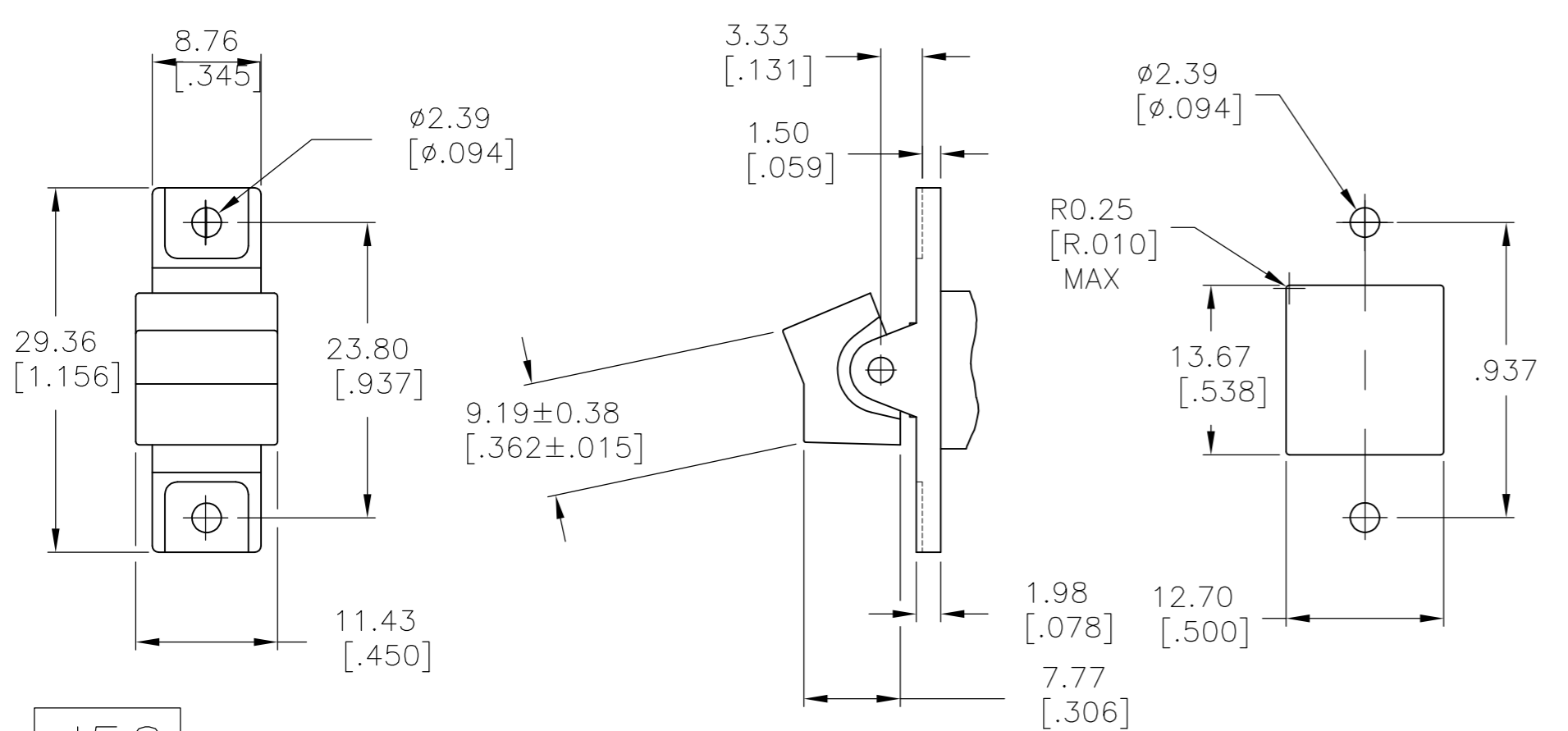
LOC	DIST	REVISIONS					
AD	00	P	LTR	DESCRIPTION	DATE	DWN	APVD
		-	-	SEE SHEET 1	-	-	-



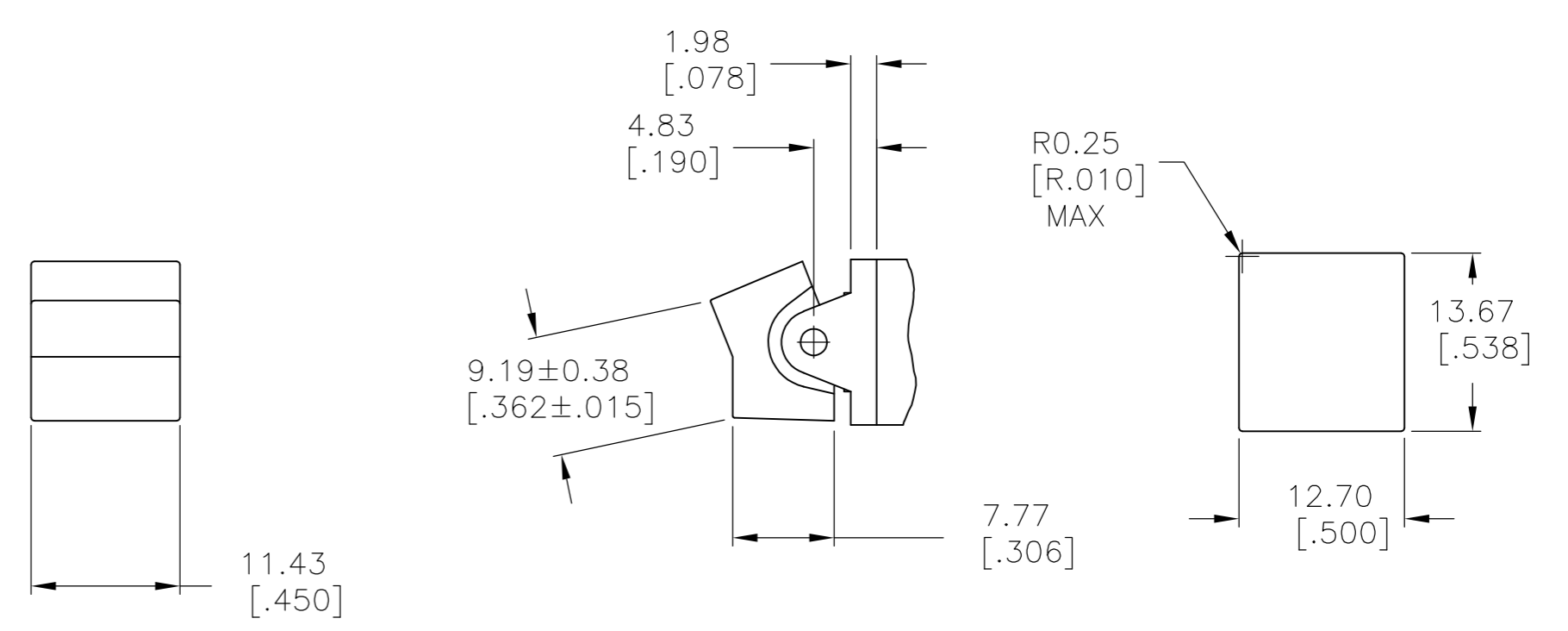
J1 \triangle SHOWN WITH PANEL MOUNT ACTUATOR PIVOT



J1 \triangle SHOWN WITH PC MOUNT ACTUATOR PIVOT



J50 \triangle SHOWN WITH PANEL MOUNT ACTUATOR PIVOT



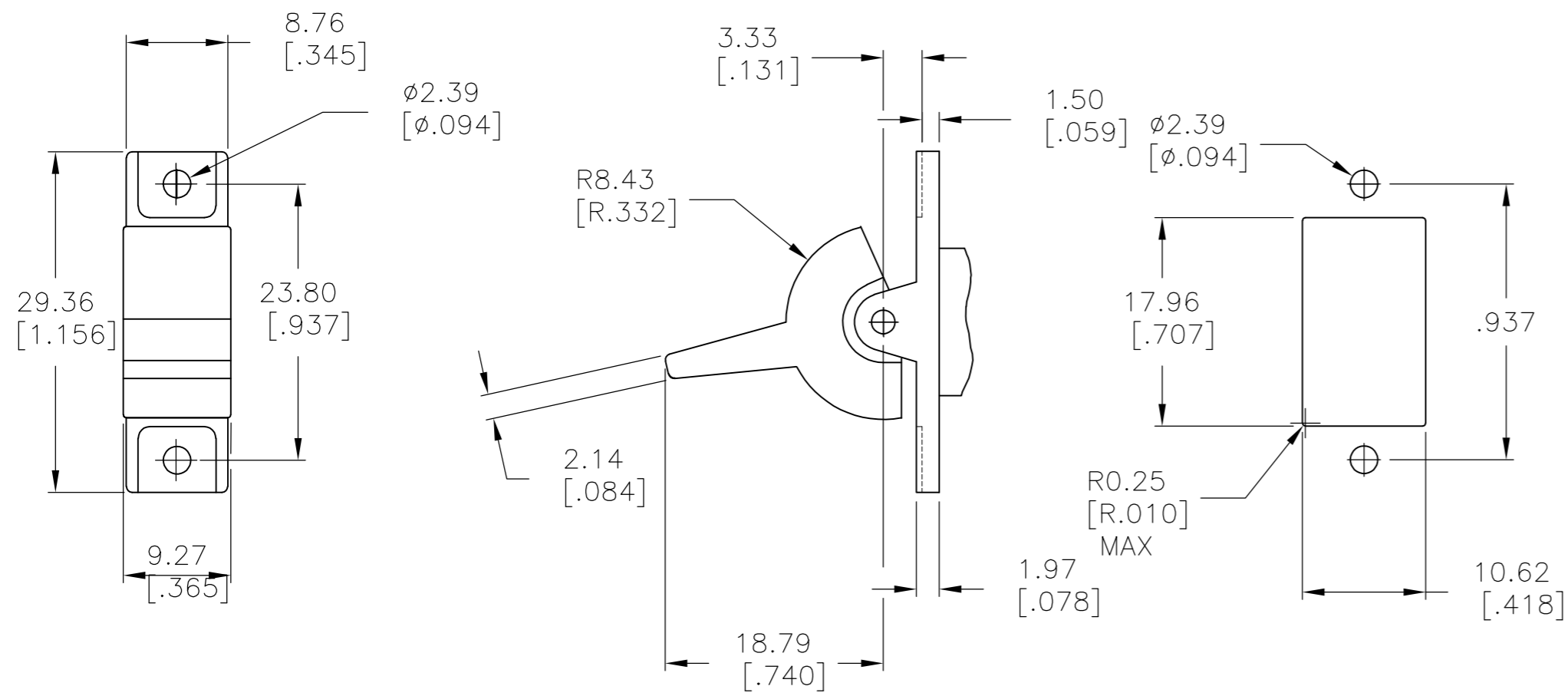
J50 \triangle SHOWN WITH PC MOUNT ACTUATOR PIVOT

1.52-3.17 [.060-.125]	15.75-15.87 [.620-.625]
1.19-1.50 [.047-.059]	15.72 [.619]
PANEL THICKNESS	DIM "A"

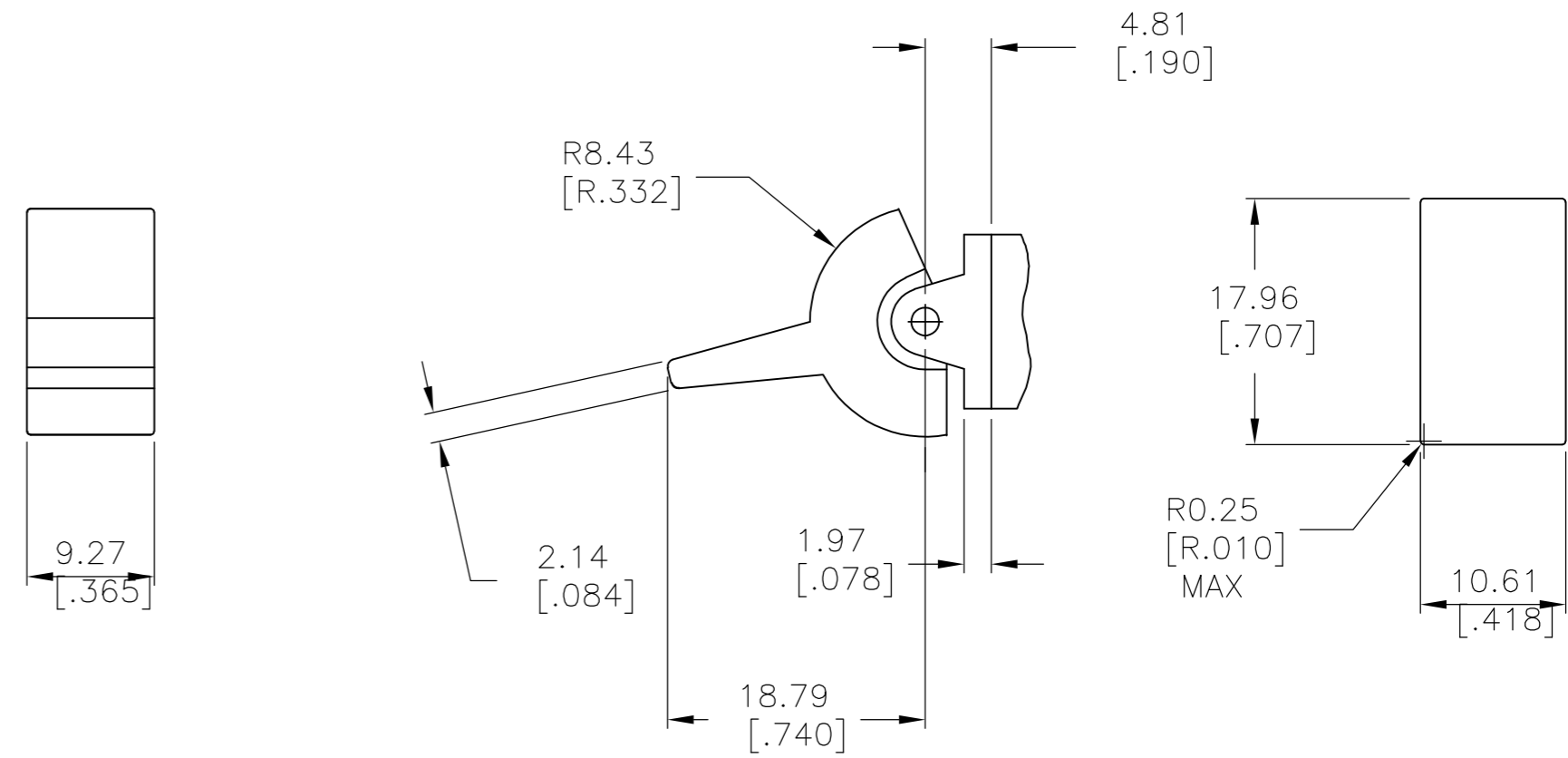
THIS DRAWING IS A CONTROLLED DOCUMENT.		DWN M.BINNER 06JAN05	Tyco Electronics Corporation Harrisburg, PA 17105-3608	
DIMENSIONS: mm [INCHES]		CHK M.ZITTO 06JAN05	NAME GEMINI AE SERIES ROCKER SWITCH SINGLE POLE	
TOLERANCES UNLESS OTHERWISE SPECIFIED: 0 PLC ± - 1 PLC ± - 2 PLC ± - 3 PLC ± .010 4 PLC ± - ANGLES ± 4°		APVD M.ZITTO 06JAN05	DRAWING NO A2 00779	
MATERIAL -		PRODUCT SPEC -	CAGE CODE 00779	RESTRICTED TO -
FINISH -		APPLICATION SPEC -	SCALE 2:1	SHEET 2 of 5
CUSTOMER DRAWING		WEIGHT -	REV A5	

THIS DRAWING IS UNPUBLISHED. RELEASED FOR PUBLICATION
 © COPYRIGHT BY TYCO ELECTRONICS CORPORATION. ALL RIGHTS RESERVED.

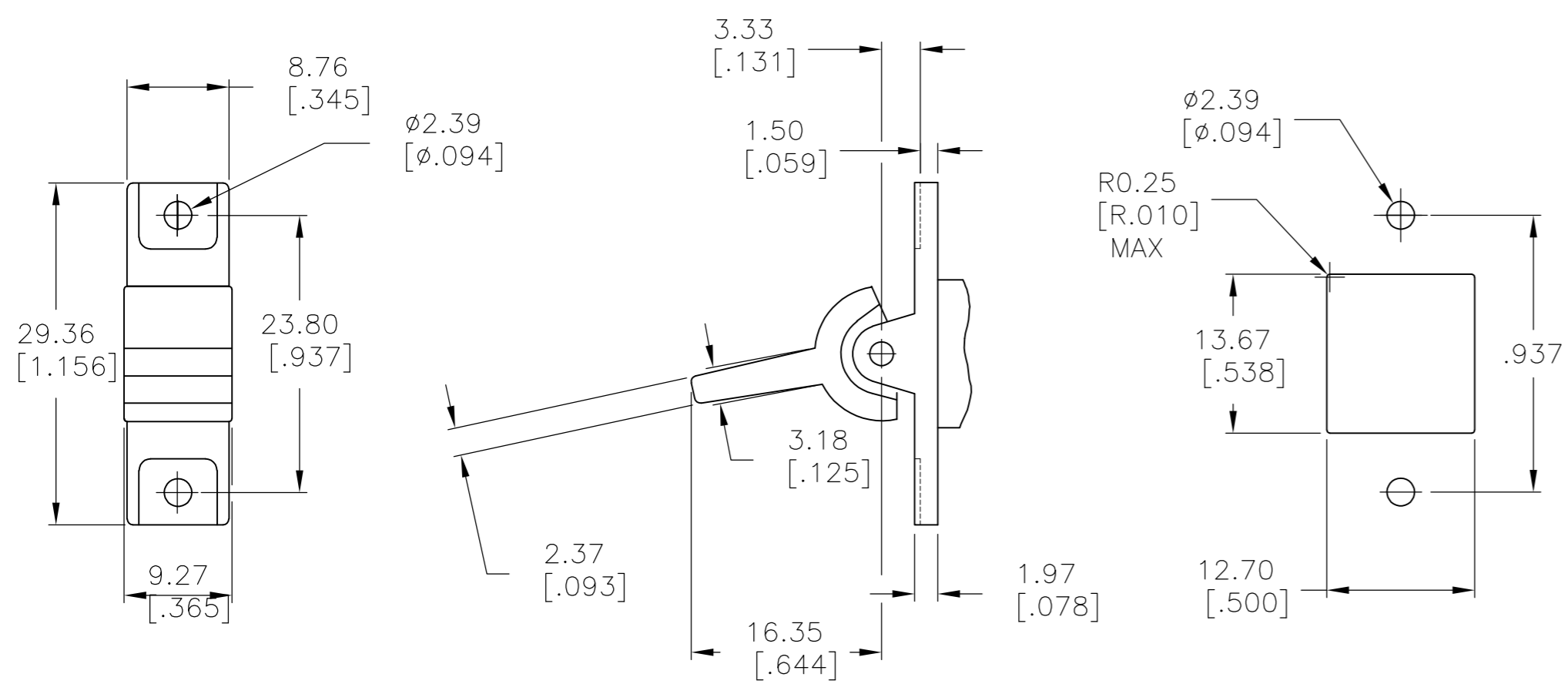
LOC	DIST	REVISIONS					
AD	00	P	LTR	DESCRIPTION	DATE	DWN	APVD
		-	-	SEE SHEET 1	-	-	-



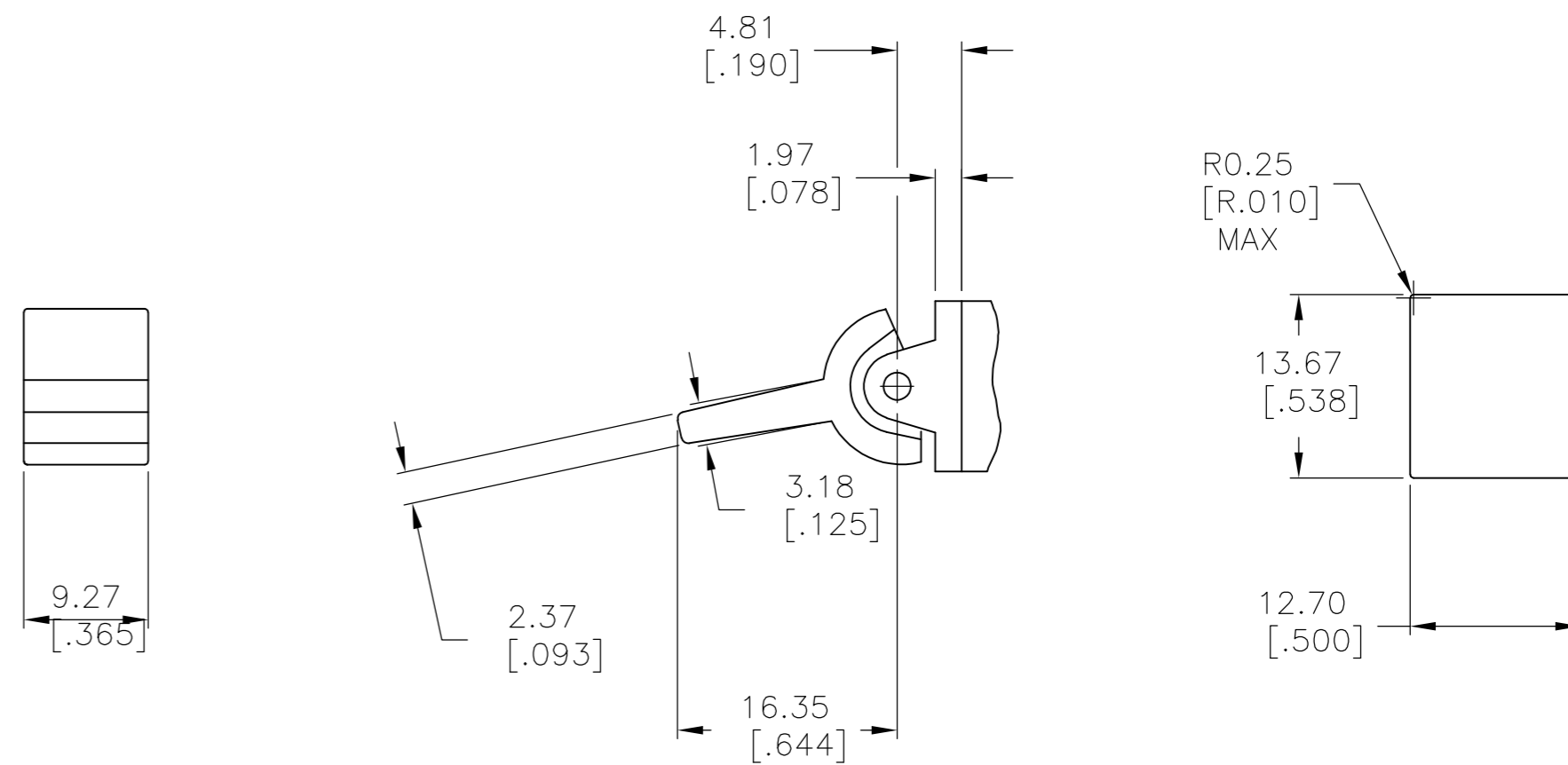
J2 SHOWN WITH PANEL MOUNT ACTUATOR PIVOT



J2 SHOWN WITH PC MOUNT ACTUATOR PIVOT



J60 SHOWN WITH PANEL MOUNT ACTUATOR PIVOT



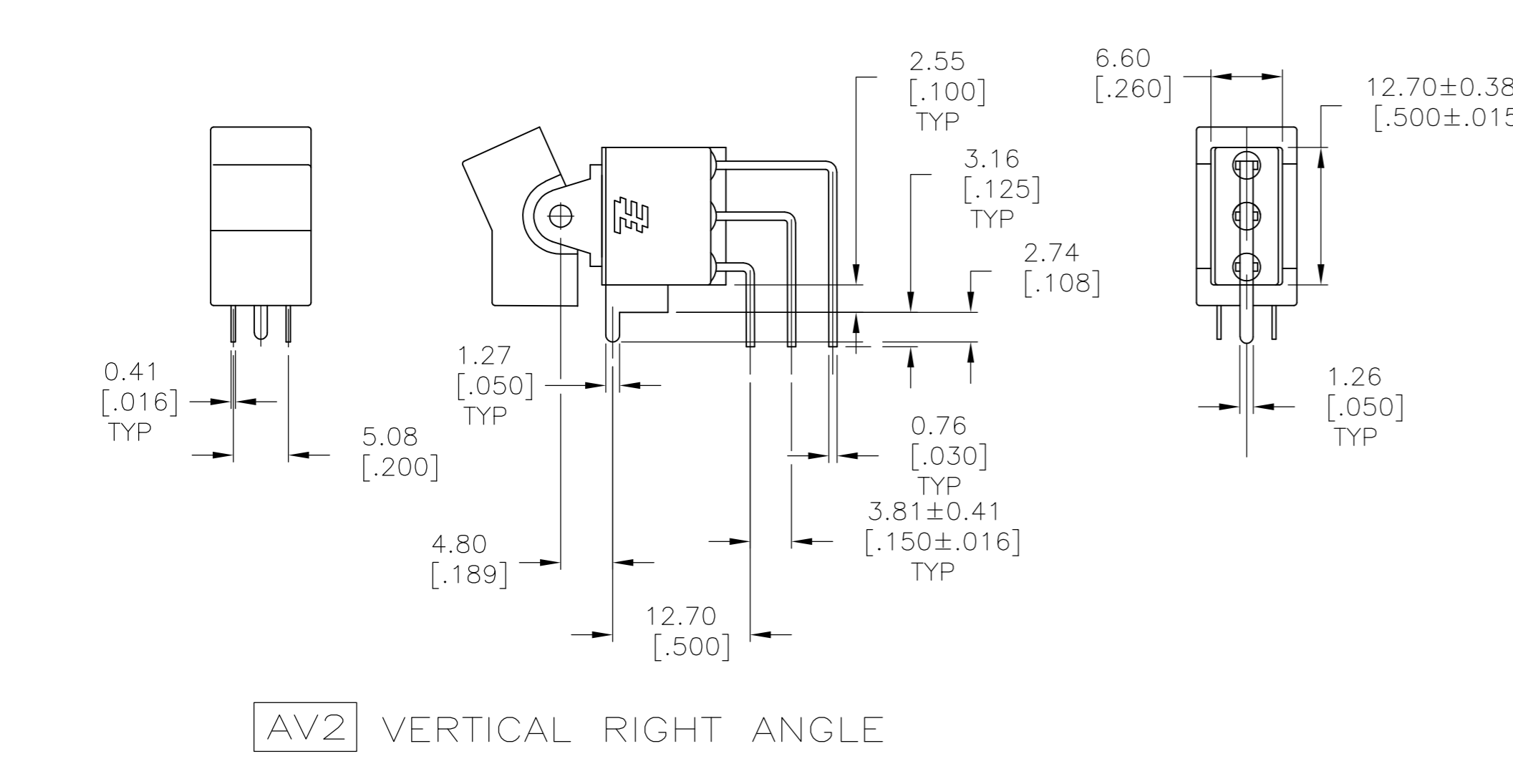
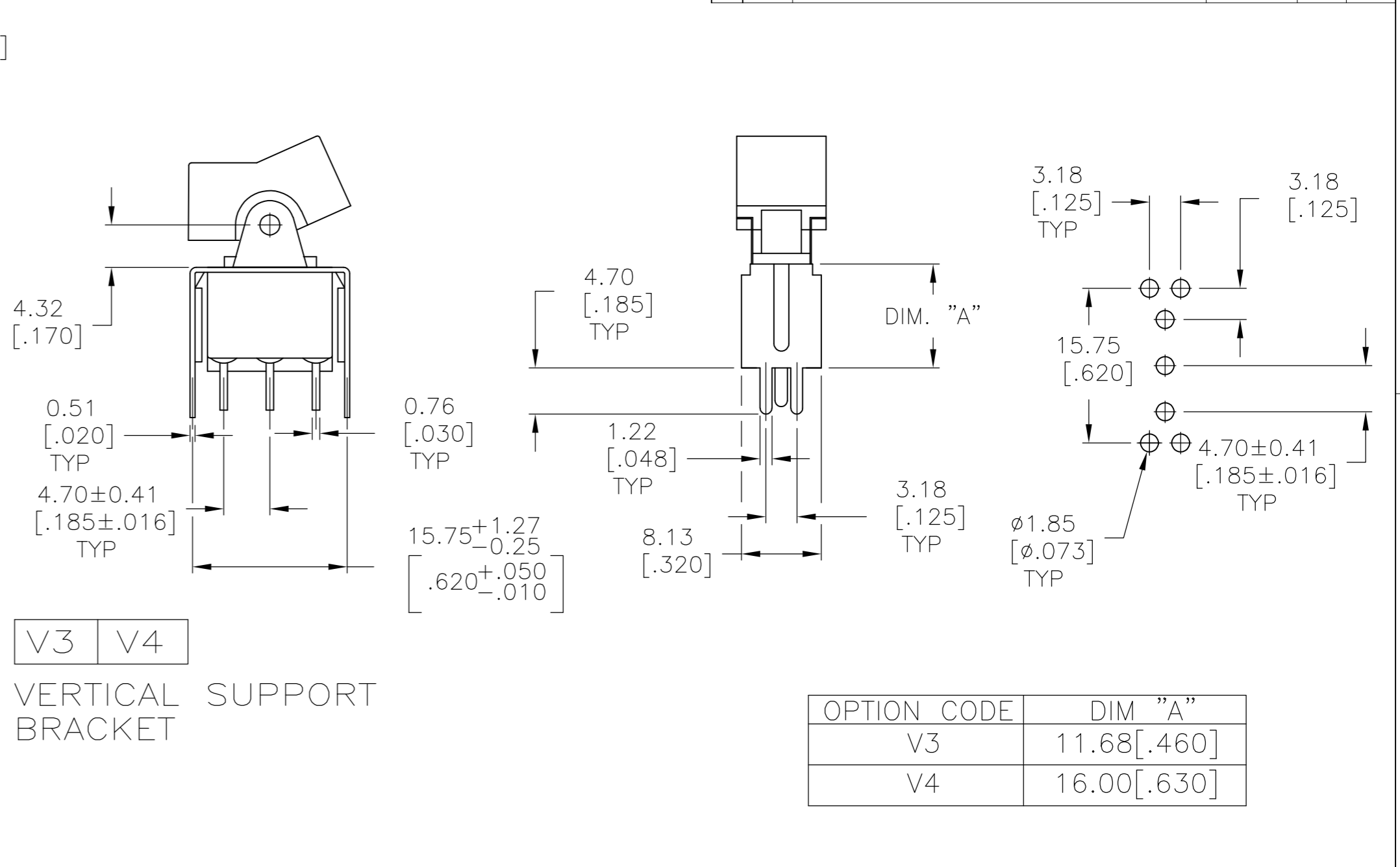
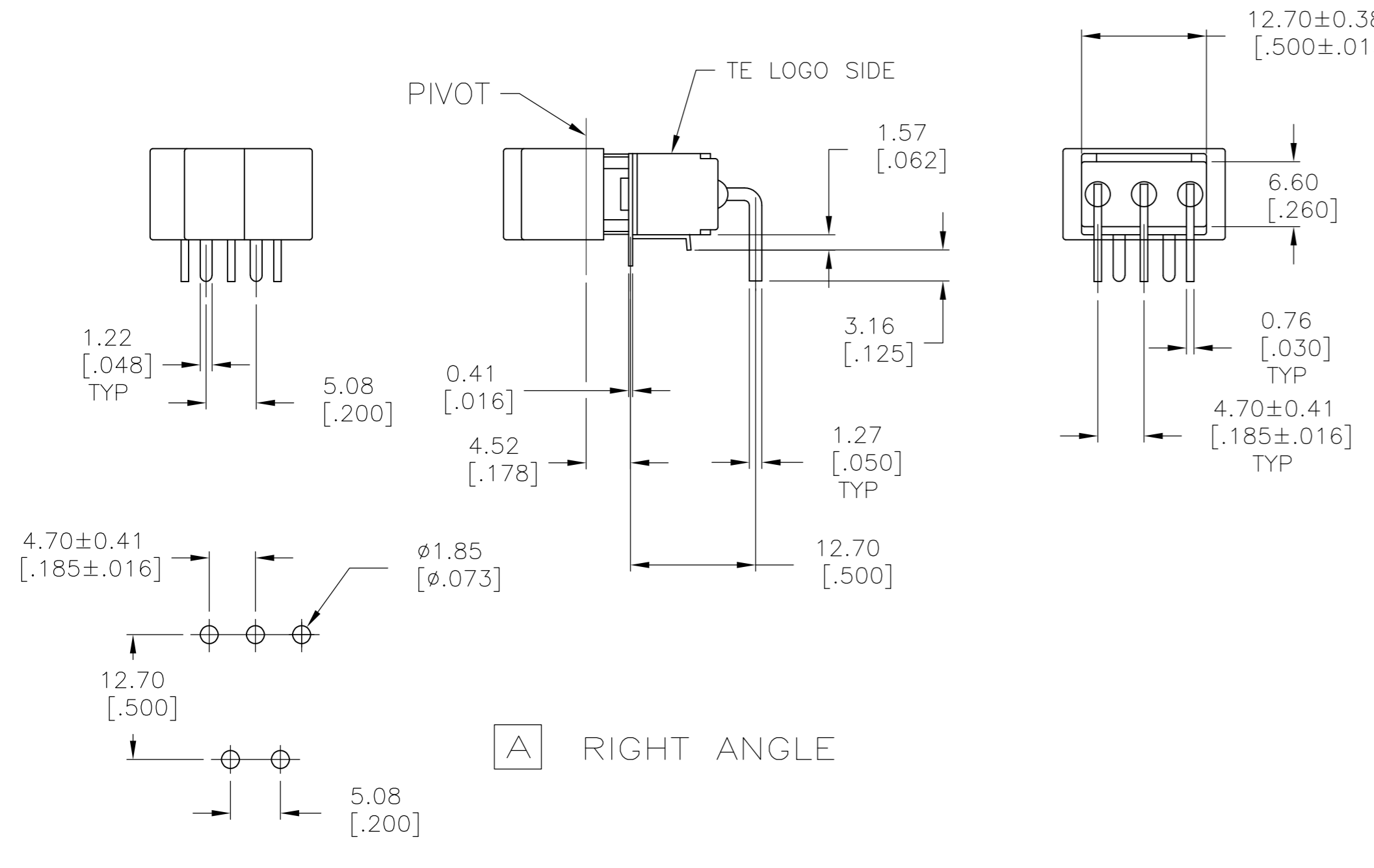
J60 SHOWN WITH PC MOUNT ACTUATOR PIVOT

1.52-3.17 [.060-.125]	15.75-15.87 [.620-.625]
1.19-1.50 [.047-.059]	15.72 [.619]
PANEL THICKNESS	DIM "A"

THIS DRAWING IS A CONTROLLED DOCUMENT.		DWN M.BINNER 06JAN05	Tyco Electronics Corporation Harrisburg, PA 17105-3608	
DIMENSIONS: mm [INCHES]		CHK M.ZITTO 06JAN05	NAME GEMINI AE SERIES ROCKER SWITCH SINGLE POLE	
TOLERANCES UNLESS OTHERWISE SPECIFIED: 0 PLC ± - 1 PLC ± - 2 PLC ± - 3 PLC ± .010 4 PLC ± - ANGLES ± 4°		APVD M.ZITTO 06JAN05	DRAWING NO A2 00779	
MATERIAL -		FINISH -	SCALE 2:1	RESTRICTED TO -
CUSTOMER DRAWING		WEIGHT -	SHEET 3 OF 5	REV A5

THIS DRAWING IS UNPUBLISHED. RELEASED FOR PUBLICATION
 © COPYRIGHT BY TYCO ELECTRONICS CORPORATION. ALL RIGHTS RESERVED.

LOC	DIST	REVISIONS			
P	LTR	DESCRIPTION	DATE	DWN	APVD
AD	00	SEE SHEET 1	-	-	-



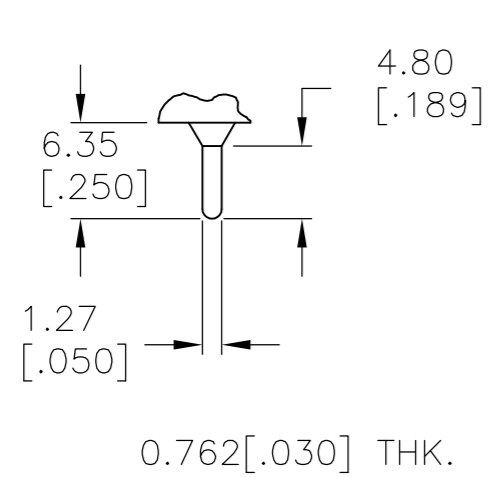
AV2 VERTICAL RIGHT ANGLE

THIS DRAWING IS A CONTROLLED DOCUMENT.

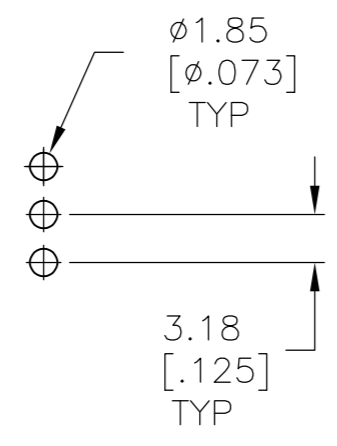
DWN	M.BINNER	06JAN05	 Tyco Electronics Corporation Harrisburg, PA 17105-3608	
CHK	M.ZITTO	06JAN05		
APVD	M.ZITTO	06JAN05		
PRODUCT SPEC				
APPLICATION SPEC			NAME	GEMINI AE SERIES ROCKER SWITCH SINGLE POLE
MATERIAL	FINISH	WEIGHT	SIZE	A2
		CUSTOMER DRAWING	CAGE CODE	00779
			DRAWING NO	C=1571988
			RESTRICTED TO	-
			SCALE	2:1
			SHEET	4 OF 5
			REV	A5

THIS DRAWING IS UNPUBLISHED. RELEASED FOR PUBLICATION
 © COPYRIGHT BY TYCO ELECTRONICS CORPORATION. ALL RIGHTS RESERVED.

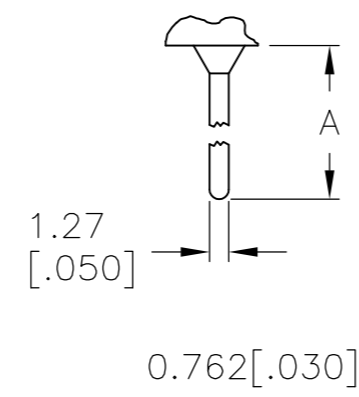
LOC	DIST	REVISIONS			
P	LTR	DESCRIPTION	DATE	DWN	APVD
AD	00	SEE SHEET 1	-	-	-



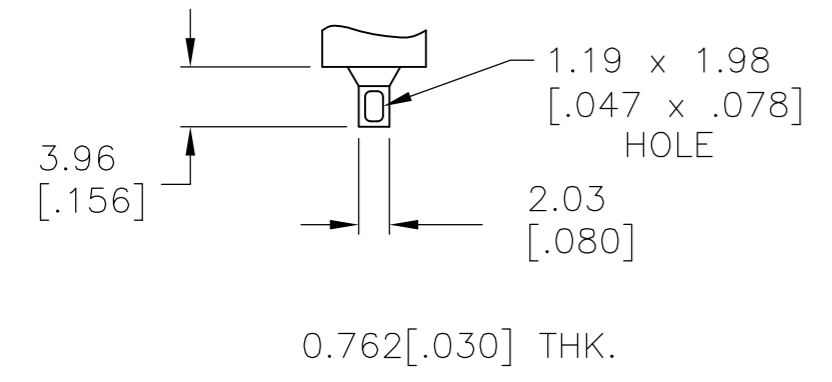
C PRINTED CIRCUIT



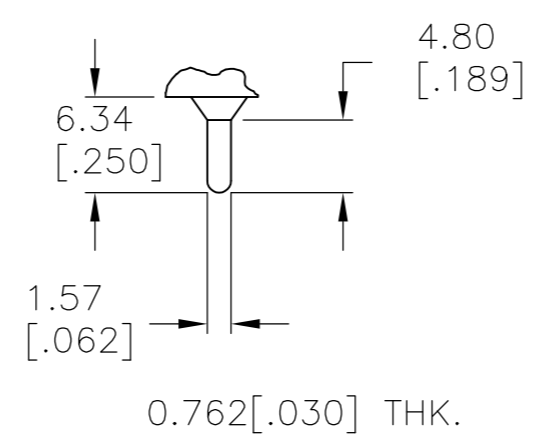
W **W4** WIRE WRAP



OPTION	DIM A
W	18.69 [.736]
W4	26.97 [1.062]



Z WIRE LUG



Z3 QUICK CONNECT

MATERIALS CHART		
COMPONENT NAME	BASE MATERIAL	FINISH
CASE & BUSHING	NYLON, RED, UL94 V-0	
O-RING	PVC, BLACK	
B TERMINALS & CONTACTS	COPPER	GOLD NICKEL
G TERMINALS & CONTACTS	COPPER	GOLD OVER SILVER
Q TERMINALS & CONTACTS	COPPER	GOLD FLASH OVER SILVER
ACTUATOR	PHENOLIC, BLACK, UL94 V-1	
ACTUATOR LEVER	ZINC ALLOY	NICKEL
SPRING	MUSIC WIRE	
PIVOT PIN	STEEL	NICKEL
MOUNTING BRACKET	NYLON, UL94 V-1	
ROCKER CAP	NYLON, UL94 V-1	
TERMINAL SEAL	EPOXY, UL94V-0	
MARKING	INK, BLACK	
SUPPORT BRACKET	BRASS	TIN
RETAINER	STAINLESS STEEL	

PRELIMINARY	AE101J3V31Q004	1-1571988-7
	AE108J60V3B004	1-1571988-6
	AE108J1ZQ004	1-1571988-5
	AE107J1ZQ004	1-1571988-4
	AE107J1AQ004	1-1571988-3
	AE105J60V3B004	1-1571988-2
	AE105J1ZB004	1-1571988-1
	AE105J1V3B004	1-1571988-0
	AE105J1AQ004	1571988-9
	AE103J60V3Q204	1571988-8
	AE103J50V3B004	1571988-7
	AE101J1V3Q004	1571988-6
	AE101J1V3B004	1571988-5
	AE101J1AV2Q004	1571988-4
	AE101J1AQ404	1571988-3
	AE101J1AQ004	1571988-2
	AE101J1AB004	1571988-1
	ALCO P/N	TE P/N

THIS DRAWING IS A CONTROLLED DOCUMENT.		DWN M.BINNER 06JAN05	Tyco Electronics Corporation Harrisburg, PA 17105-3608	
DIMENSIONS: mm [INCHES]		CHK M.ZITTO 06JAN05	NAME GEMINI AE SERIES ROCKER SWITCH SINGLE POLE	
TOLERANCES UNLESS OTHERWISE SPECIFIED: 0 PLC ± - 1 PLC ± - 2 PLC ± - 3 PLC ± .010 4 PLC ± - ANGLES ± 4°		APVD M.ZITTO 06JAN05	DRAWING NO A2 00779 C=1571988	
MATERIAL		PRODUCT SPEC	SCALE 2:1	SHEET 5 OF 5
FINISH		APPLICATION SPEC	RESTRICTED TO	REV A5
		WEIGHT	CUSTOMER DRAWING	

1571988

B

A