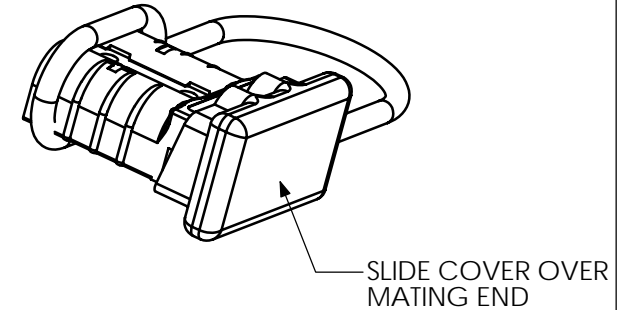
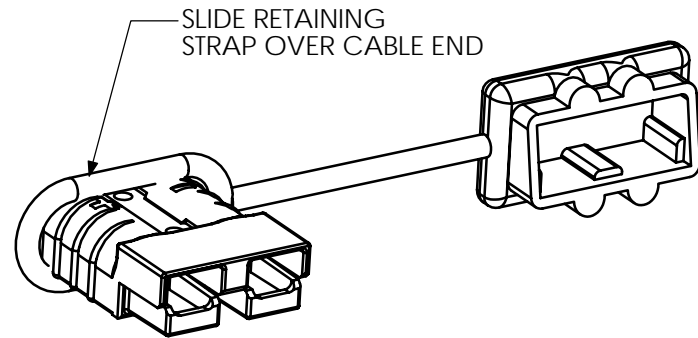
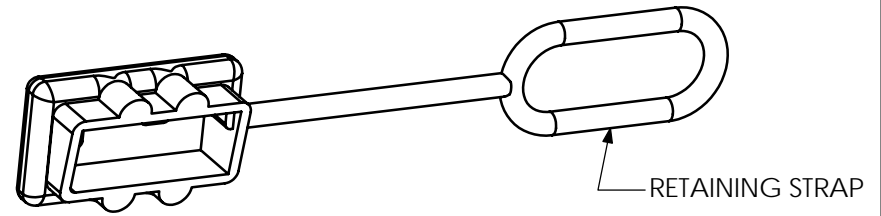
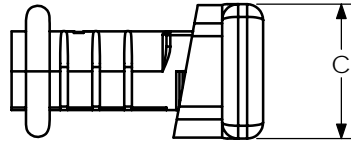
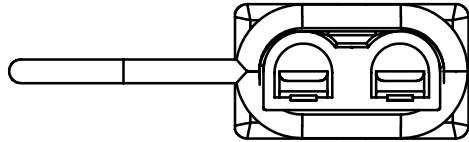
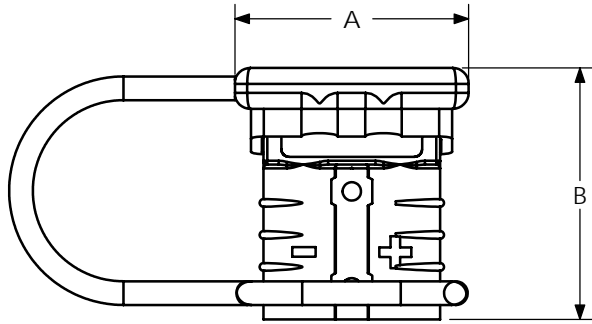


THE INFORMATION CONTAINED IN THIS DRAWING IS THE SOLE PROPERTY OF ANDERSON POWER PRODUCTS. ANY REPRODUCTION IN PART OR WHOLE WITHOUT THE WRITTEN PERMISSION OF ANDERSON POWER PRODUCTS IS PROHIBITED.

REV.	DESCRIPTION OF CHANGES	BY:	DATE
1	ECRN 14286: 1.10 WAS 2.28	CMS	7/10/08



CAT. NO.	SB SERIES	A		B		C	
		IN	MM	IN	MM	IN	MM
134G1	SB50	1.83	46.5	2.03	51.6	1.10	27.9
134G2	SB175	2.73	69.3	3.40	86.4	1.50	38.1
134G3	SB350	3.47	88.1	4.44	112.8	1.90	48.3

NOTES:

- CONNECTOR SOLD SEPARATELY
- DUST COVERS DO NOT PROVIDE A HERMETIC SEAL
- MAY BE USED WITH CABLE CLAMPS

ITEM NO.	PART OR IDENTIFYING NO.	NOMENCLATURE OR DESCRIPTION	MATERIAL SPECIFICATION	QTY REQD
COPYRIGHT 1999 ANDERSON POWER PRODUCTS. ALL RIGHTS RESERVED. UNAUTHORIZED REPRODUCTION HEREBY PROHIBITED.				
DIMENSIONS ARE IN INCHES DIMENSIONS IN PARENTHESES [] ARE IN MILLIMETERS		CAD GENERATED DRAWING, DO NOT MANUALLY UPDATE		ANDERSON POWER PRODUCTS
TOLERANCES ARE: 2PL- ±.04 [±1]		APPROVALS	DATE	
MATERIALS: ELASTOMER- RED		DRAWN	CMS 11/4/99	
FINISH AS MOLDED		CHECKED	DJD 1/31/00	
DO NOT SCALE DRAWING		RESP ENG	UFN 2/1/00	SPECIFICATION: 114209S1
		MFG ENG	CHB 2/1/00	
		QUAL ENG	RPO 2/1/00	REV. 1
		SCALE NONE	CADFILES/01136	SHEET 1 OF 1