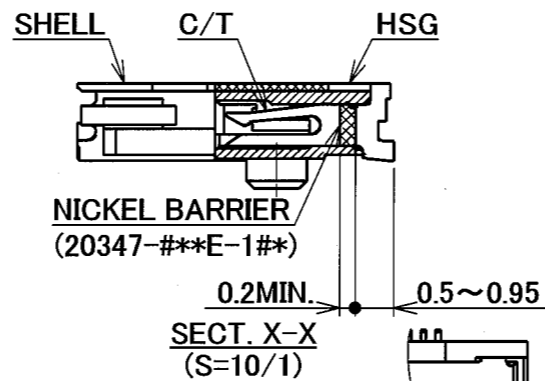
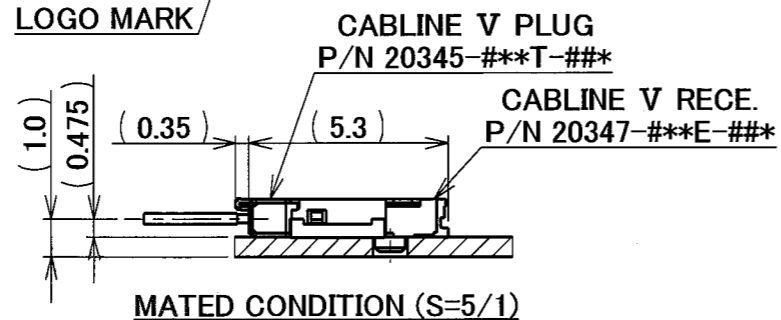
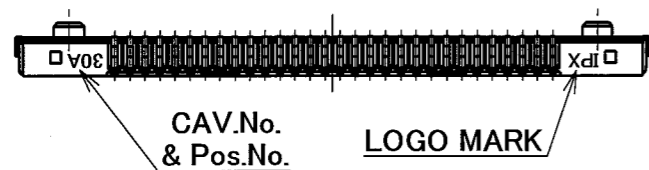
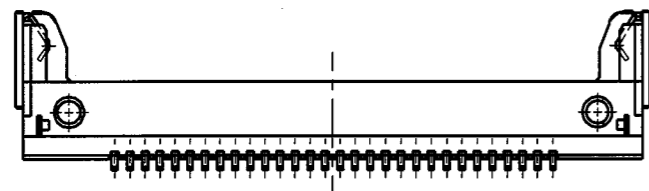
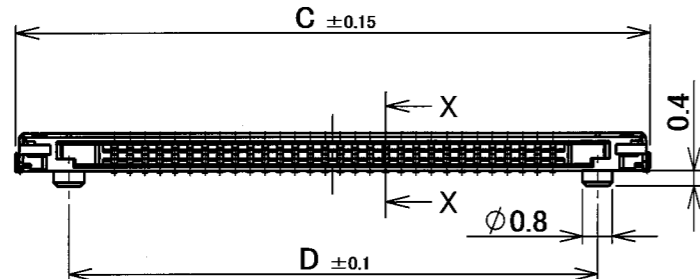
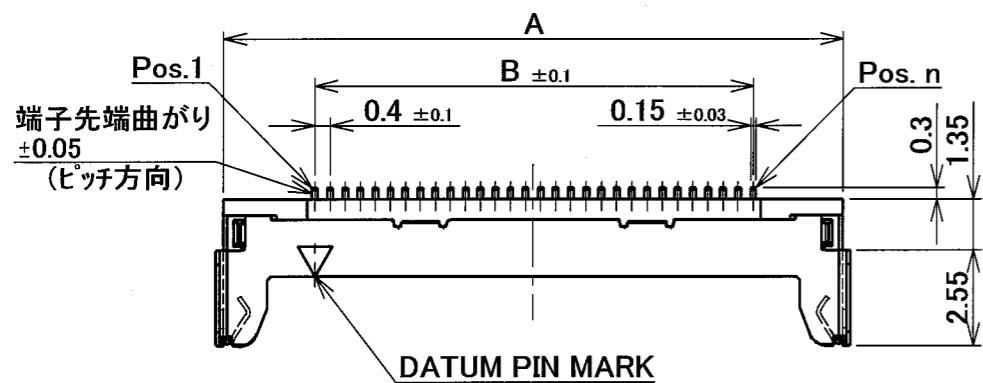


PART NO.	POS.	A	B	C	D	E	F	G	H	REMARK
20347-#10E-##	10	8.4	3.6	8.8	6.0	0.925	1.75	8.1	9.4	Red Phosphorus Free
◆20347-#10E-##R										
20347-#15E-##	15	10.4	5.6	10.8	8.0	1.05	3.5	10.1	11.4	Red Phosphorus Free
◆20347-#15E-##R										
20347-#20E-##	20	12.4	7.6	12.8	10.0	1.175	5.25	12.1	13.4	Red Phosphorus Free
◆20347-#20E-##R										
20347-#25E-##	25	14.4	9.6	14.8	12.0	1.3	7.0	14.1	15.4	Red Phosphorus Free
20347-#25E-##R										
20347-#30E-##	30	16.4	11.6	16.8	14.0	0.55	10.5	16.1	17.4	Red Phosphorus Free
20347-#30E-##R										
20347-#35E-##	35	18.4	13.6	18.8	16.0	0.675	12.25	18.1	19.4	Red Phosphorus Free
20347-#35E-##R										
20347-#40E-##	40	20.4	15.6	20.8	18.0	0.8	14.0	20.1	21.4	Red Phosphorus Free
20347-#40E-##R										

◆MARK MEANS NOT AVAILABLE.

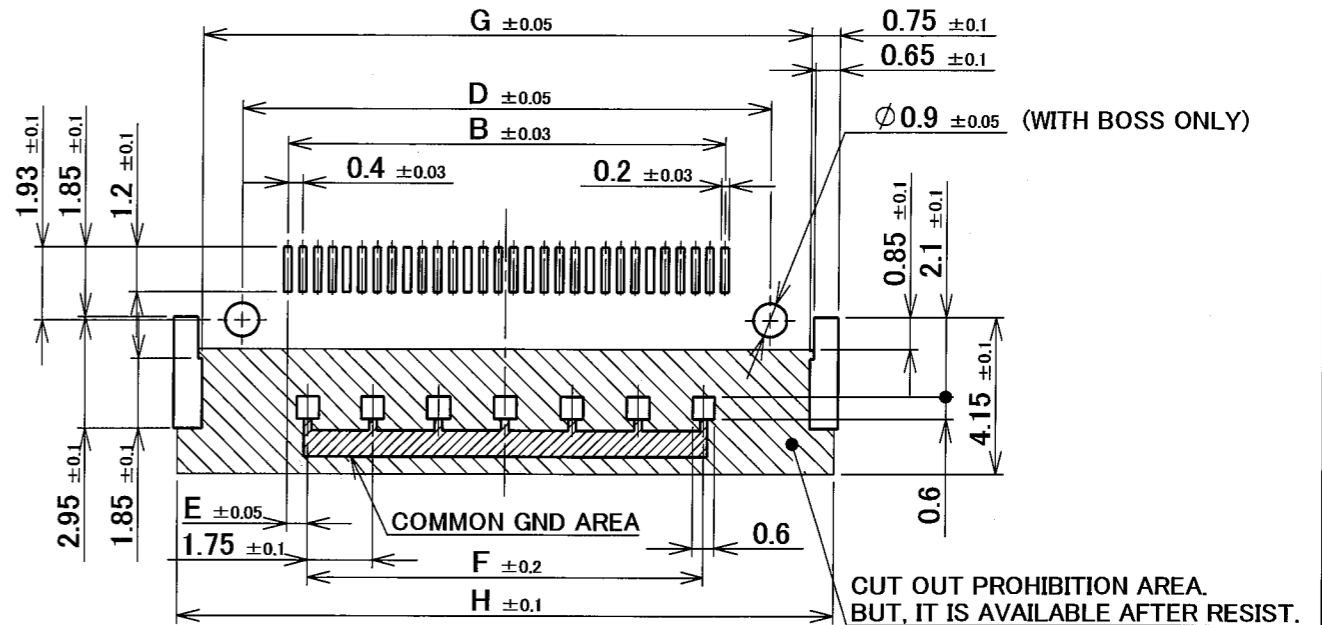


P/N : 20347-# **E-# # R

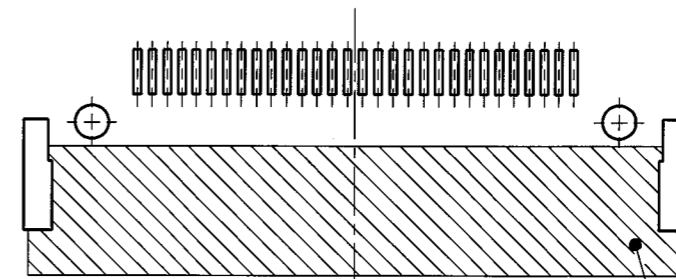
HOUSING MATERIAL TYPE
 WITHOUT MARK : LCP
 R MARK : LCP (Red Phosphorus Free)

1 : WITH BOSS
 2 : WITHOUT BOSS
 C/T FINISH 0 : ALL Au
 Pos. 1 : Ni Barrier (ALL Au)

SHELL FINISH	LOCK
0 Sn-Cu	WITHOUT
1 Sn	WITHOUT
2 Sn-Cu	WITH
3 Sn	WITH



WHEN P/N : 20345-##T-#1* IS USED
 RECOMMENDED FOOTPRINT PATTERN (MOUNT SIDE)



WHEN P/N : 20345-##T-#2* IS USED
 RECOMMENDED FOOTPRINT PATTERN (MOUNT SIDE)

CUT OUT PROHIBITION AREA. BUT, IT IS AVAILABLE AFTER RESIST.

NOTES.

- CONNECTOR TO BE MATED : P/N 20345-##T-##
- MATERIAL & FINISH
 HOUSING : LCP (GF REINFORCED), UL94V-0, BLACK
 CONTACT : COPPER ALLOY
 Au 0.1 μm MIN. OVER Ni 1.27 μm MIN.
 SHELL : COPPER ALLOY
 Sn-Cu or Sn 1~5 μm OVER Ni 1.27 μm MIN.
- COPLANARITY : 0.1 MAX.

GENERAL TOLERANCE	
6 MAX.	±0.2
6 OVER MAX. 30	±0.3
30 OVER MAX. 120	±0.5
ANGLE	±2°

REV	ECN	BY	DATE	APP	DESIGN'D BY	DATE
22	Z08606	K.T	Dec./08/08	T.H	H.MASHIMA	MAR/07/03
21	Z08472	K.T	OCT/02/08	T.H	Y.H	MAR/12/03
20	Z07659	M.K	NOV/17/07	E.K		
REV	ECN	BY	DATE	APP	APP'D BY	DATE
					K.K	MAR/13/03



Interconnect
and Packaging Electronics

TOKYO, JAPAN

TITLE		SCALE	UNIT	DWG. No.	SHEET	REV.
CABLIN V RECE. ASS'Y		5:1	mm	20347	1/1	22