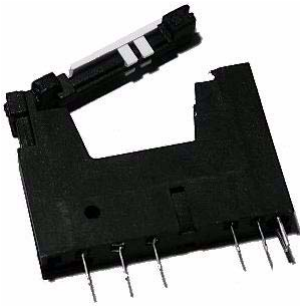


## ACCESSORIES

# SOCKET FOR SLIM POWER RELAYS

PF (APF) relay socket



APF1-PS-GD

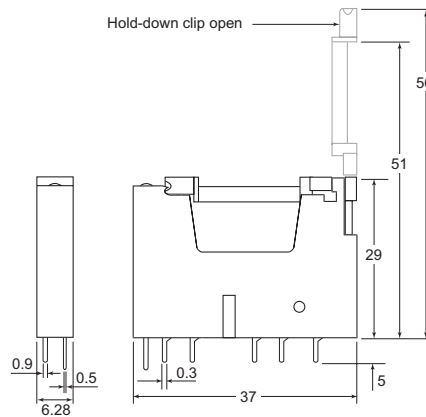
## FEATURES

1. Socket incorporates LED-indication
2. It is equipped with a hold-down clip and an integrated casting mechanism
3. Suitable for PCB-mounting

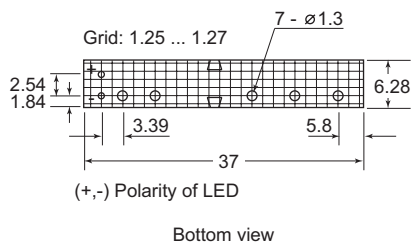
## SPECIFICATIONS

Item	Specifications
LED	
Nominal voltage	24 V DC
Nominal current	appr. 4.2 mA
Diameter	3 mm
Color	green*

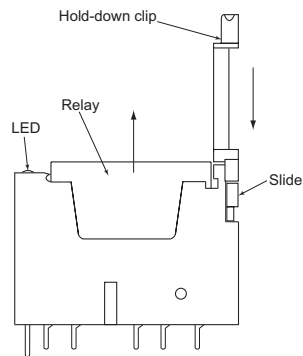
## DIMENSIONS



## PIN LAYOUT



## HANDLING



Push down the hold-down clip in order to cast the relay.