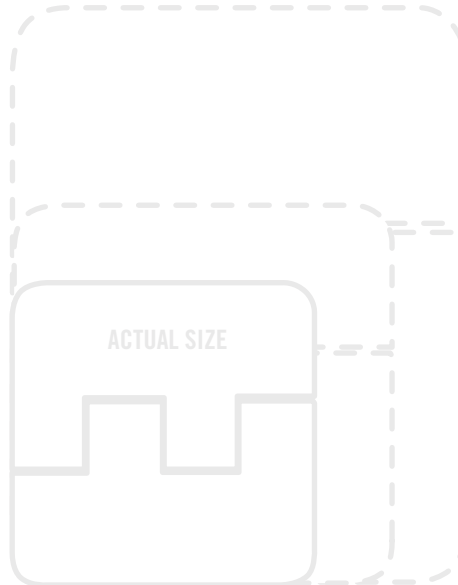
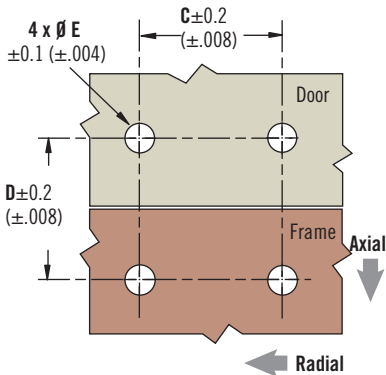
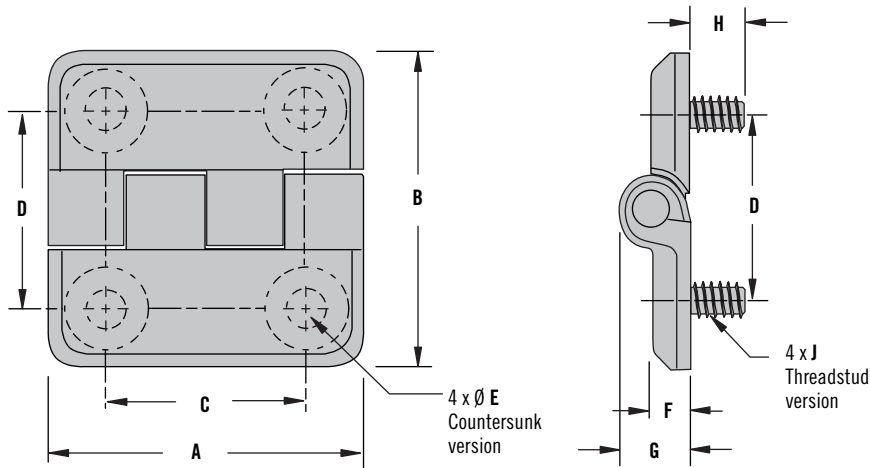


EH Hinge

Surface mount



- Multiple size and mounting options
- Concealed mounting hardware



Material and Finish

Leaf: Zinc alloy black powder coated, chrome plated or nylon black
 Pin: Stainless steel
 Thread studs: Steel, zinc plated

Performance Details

Size	Radial Load	Axial Load
40 Zinc	1330 N (298 lbf)	2220N (500 lbf)
50 Zinc	2140 N (481 lbf)	3560 N (800 lbf)
50 Nylon	890 N (200 lbf)	1230N (276 lbf)

Installation Notes

Countersunk version:
 40 Size M5 (No. 10) CSK screw
 50/60 Size M6 (No. 1/4 - 20) CSK screw (not supplied)

Threadstud version:
 40 Size M5 nuts (not supplied)
 50/60 Size M6 nuts (not supplied)

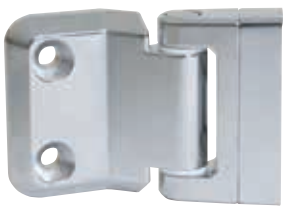
A	B	Thread Stud Part Number			C	D	Ø E	F	G	H	Thread stud J
		Zinc chrome	Zinc black	Nylon black							
40 (1.57)		EH-5A-4G4-38	EH-5A-4G4-50	~	25 (.984)	5.4 (.213)	5 (.20)	9 (.35)	8.5 (.35)	M5	
50 (1.97)		EH-6A-5G5-38	EH-6A-5G5-50	EH-6A-5G5-20	30 (1.181)	6.4 (.252)	6 (.24)	11 (.43)	8 (.31)	M6	

A	B	Countersunk Thru-Hole Part Number			C	D	Ø E	F	G
		Zinc chrome	Zinc black	Nylon black					
40 (1.57)		EH-5A-4V4-38	EH-5A-4V4-50	~	25 (.984)	5.4 (.213)	5 (.20)	9 (.35)	
50 (1.97)		EH-6A-5V5-38	EH-6A-5V5-50	EH-6A-5V5-20	30 (1.181)	6.4 (.252)	6 (.24)	11 (.43)	
60 (2.36)	76 (2.99)	EH-7A-6V8-38	EH-7A-6V8-50	~	36 (1.42)		56 (2.20)	8 (.31)	15 (.59)

Part Number

See table





EH Hinge

Surface mount · Offset

- Allows 180 degree opening
- Offset pivot maximizes cabinet access
- Ideal for closely spaced enclosures

Material and Finish

Zinc alloy, black powder coated or bright chrome plated
Pin: Stainless steel

Product Strength Guidelines

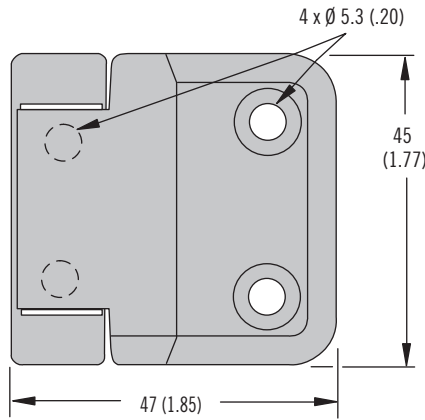
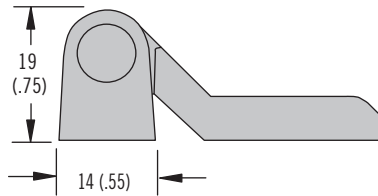
Radial load:
Maximum static load:
2670 N (600 lbf)

Axial load:
Maximum static load:
2670 N (600 lbf)

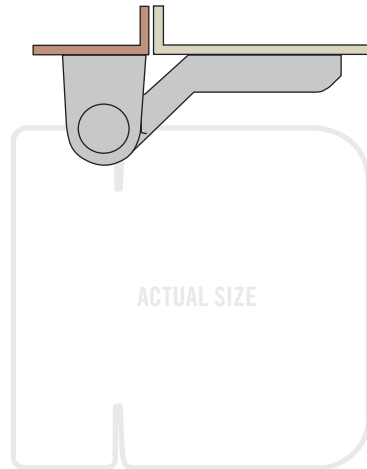
Installation Notes

Screws not supplied.
Attach hinge with M5 (No. 10) CSK

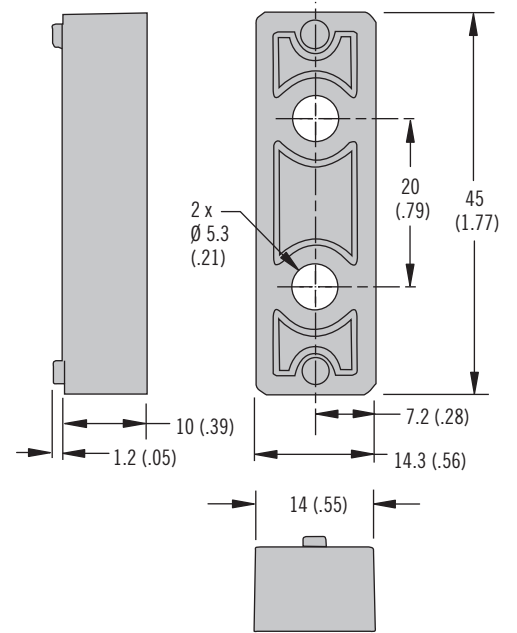
Hinge



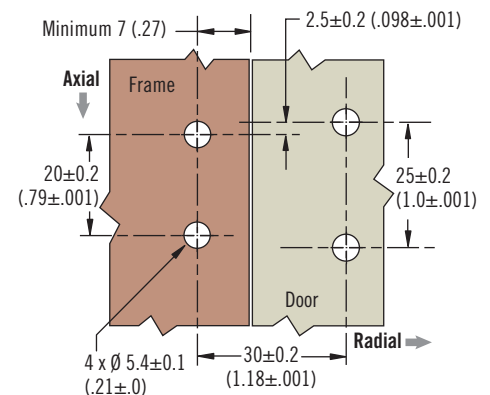
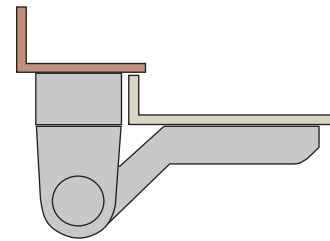
Standard Flush Mount



Spacer



Offset Mount with Spacer



Part Number

See table

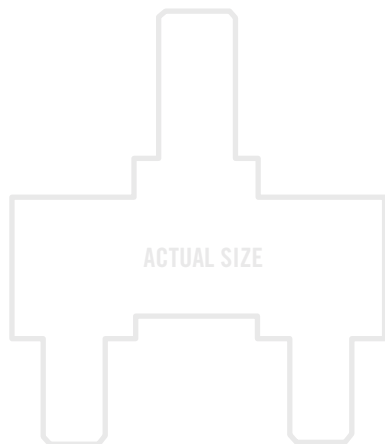
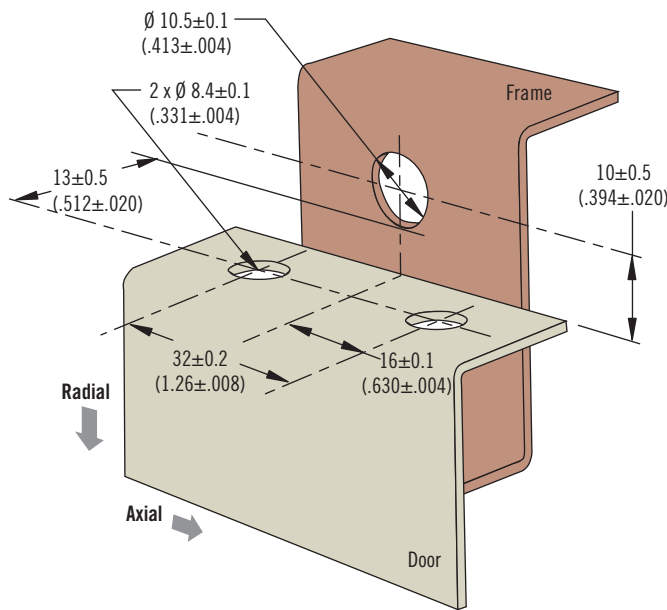
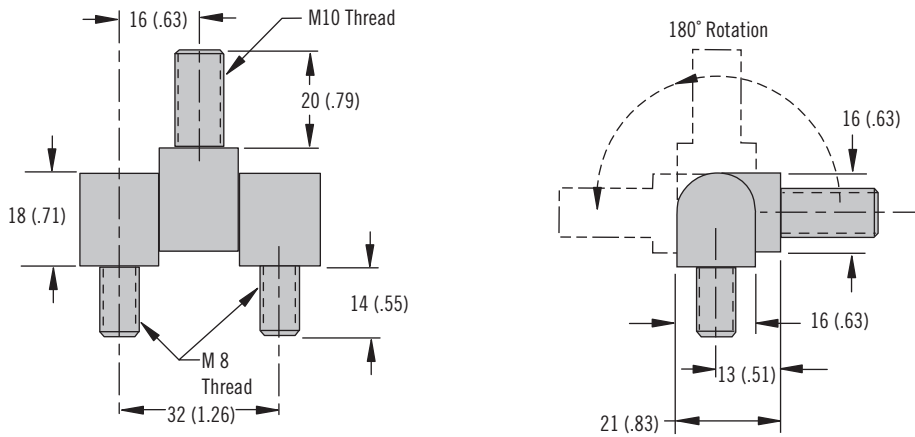
Finish	Part Number	
	Hinge	Spacer
Chrome	EH-6C-5V4-38	EH-6C-B-38
Black	EH-6C-5V4-50	EH-6C-B-50

Dimensions in millimeters (inch) unless otherwise stated



www.southco.com/EH

EH Hinge In-line



- Robust design withstands severe applications
- Concealed mounting hardware for added security
- Simple 3 hole installation



Material and Finish

Brass and steel, chrome plated

Performance Details

Radial load:

Maximum working load:
5000 N (1120 lbf)

Axial load:

Maximum working load:
5000 N (1120 lbf)

Installation Notes

Screws not supplied.

Attach with M10 and M8 mounting nuts.

M10 stud Maximum frame thickness: 10 (.39)

M8 stud Maximum door thickness: 7 (.276)

Part Number

EH-8R-5G-38

Part Number

See table