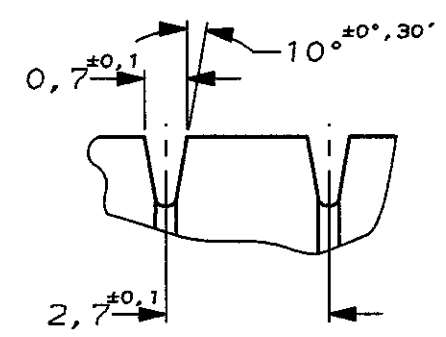
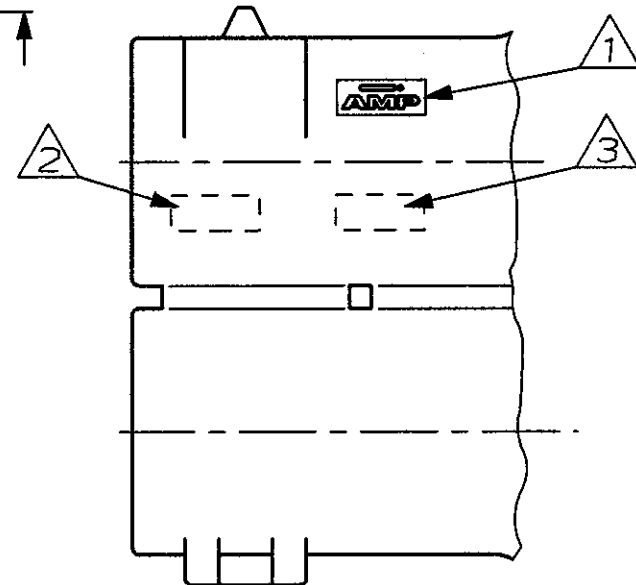
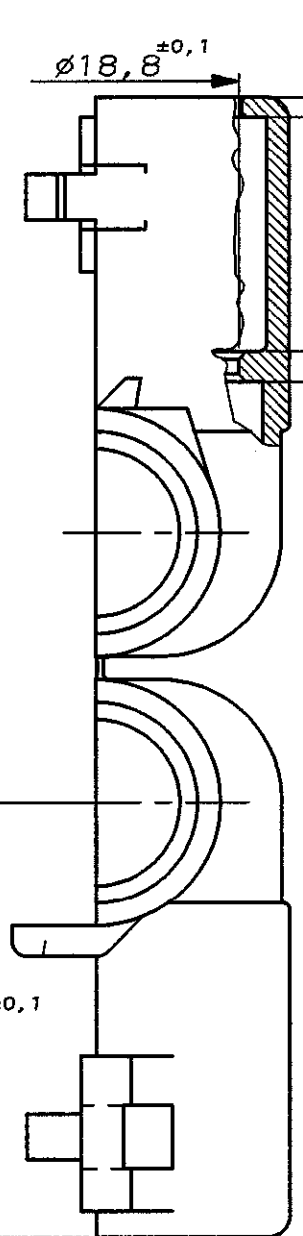
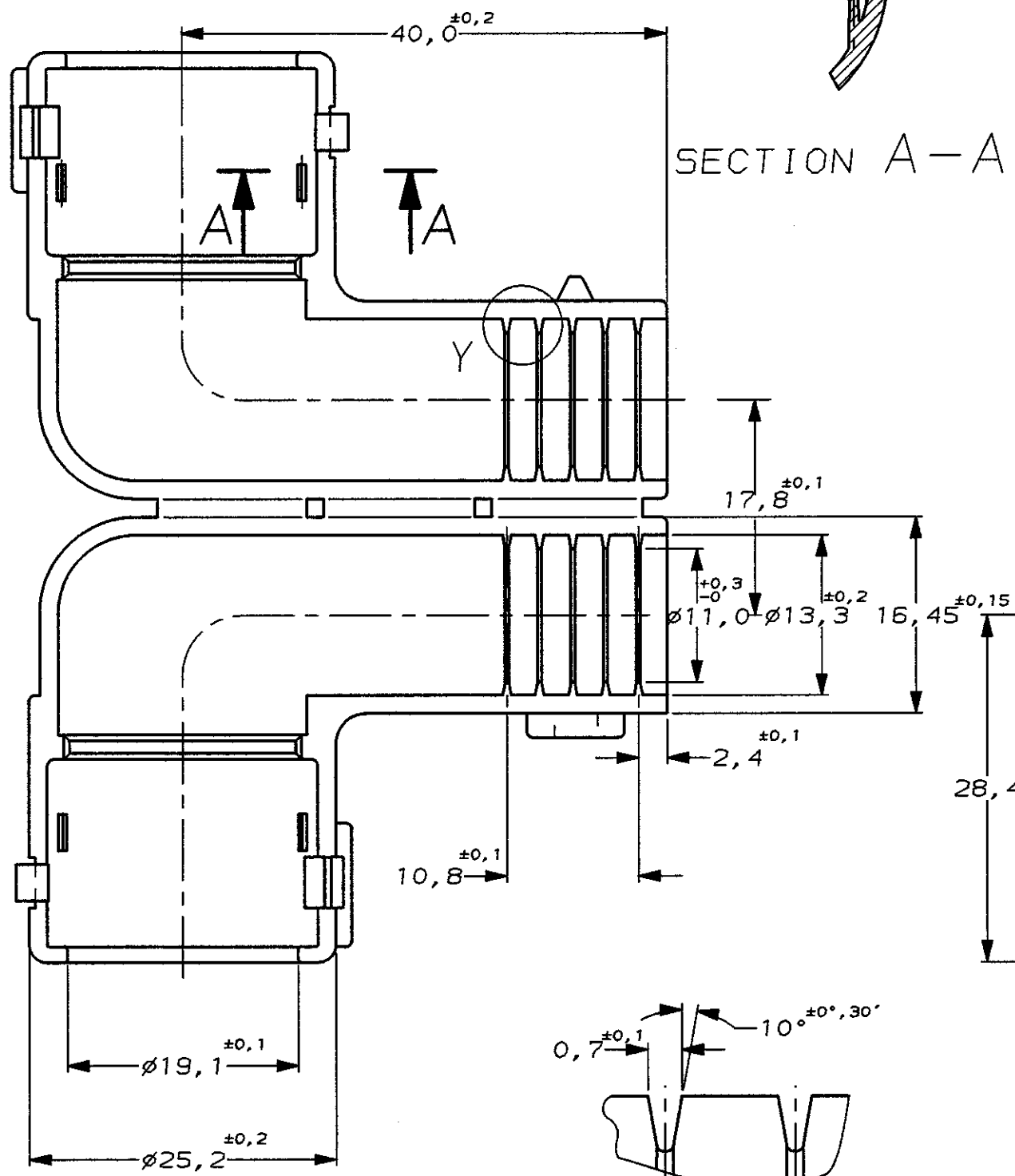


DO NOT SCALE
DIMENSIONS IN mm

METRIC

THIRD ANGLE
PROJECTION



NOTES:

- △ AMP-TRADEMARK PER SPEC. 115-19030-3.
- △ AMP-IDENTIFICATION NUMBER ACC. DIN 1451
MITTLESCHRIFT, HEIGHT 1,2mm, RAISED 0,15mm
- △ AMP-MOLD IDENTIFICATION NUMBER.
- 4 MATERIAL: PBT
COLOR: BLACK

		FINISH		MATERIAL		PARTNUMBER		
-	-	-	-	-	-	CUSTOMER DRAWING FOR REFERENCE ONLY WILL NOT BE UPDATED		
E	EH-0589-96	J.Z.	J.J.	22-05-96	© COPYRIGHT 19- BY AMP HOLLAND B.V. ALL INTERNATIONAL RIGHTS RESERVED. AMP PRODUCTS MAY BE COVERED BY U.S. AND FOREIGN AND/OR PATENTS PENDING.			
D	EH-1552-95	JvL	JJ	19 DEC 95	THIS DRAWING IS UNPUBLISHED RELEASED FOR PUBLICATION			
C	EH-1312-95	D.K.	J.J.	02 NOV 95	,19			
B	EH-0042-95	JvL	RotB	11 JAN 95	AMP HOLLAND B.V. 's-Hertogenbosch, The Netherlands.			
A	H-9765	LvdH	RotB	13 MAY '92	NAME			
O	H-9527	JvL	RotB	10-02-92	ADAPTOR 90° FOR M24/M27 INSERT			
LTR.	REVISION RECORD	DR.	CHK.	DATE				
DR.:	J.v.LIEMPT.	CHK.:	R.o.t.BERG.	APP.:	L.v.SOEST.	DWG.No.	REV.LTR.	SHEET
DATE:	10 FEB. 1992	DATE:	-	DATE:	-	100291	E	1 OF 1