

WAFER-TYPE NON-RETURN VALVE RD 40 DN15 – DN100

DESCRIPTION

The RD40 all stainless steel disc check valve has a compact design and was specially designed for use with steam and hot condensate.

Connections are flanged (wafer type)

MAIN FEATURES

Low pressure drop.

Simple and compact design.

Overall lengths according to DIN 3202 part 3-K4

OPTIONS:

Soft sealing :
EPDM (E), NBR (N), VITON (V), PTFE (T).

USE :

Inconel springs
Saturated steam, water and other gases (Group 2) compatible with the construction

AVAILABLE

MODELS :

RD 40

SIZES :

DN 15 to DN 100

CONNECTIONS :

Sandwiched between flanges as per EN 1092 or ANSI.

INSTALLATION :

Horizontal or vertical installation
See IMI, installation and maintenance instructions.

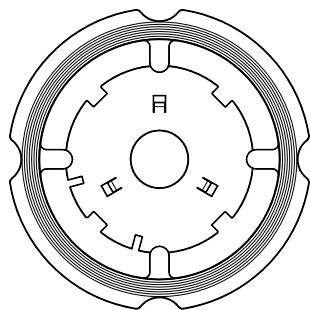
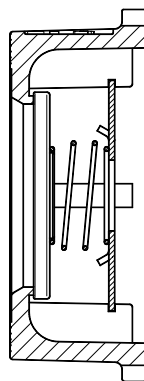
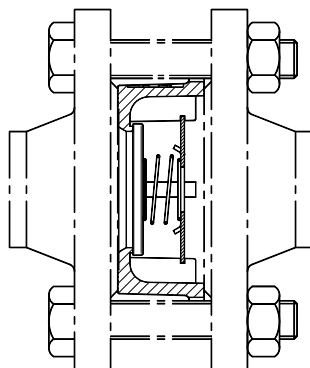
RATING :

PN 25 / PN 40

LIMIT OF

OPERATION:

As per EN 1092



Recommended limit of operation with soft seats (°C)			
EPDM (E)	NBR (N)	VITON (V)	PTFE (T)
130°	95°	180°	180°

CE MARKING (PED - European Directive 97/23/EC)		
PN 25	PN 40	Category
DN15 to DN40	DN15 to DN32	SEP - art. 3, paragraph3
DN50 to DN100	DN40 to DN80	Category 1 (CE Marked)
-	DN100	Category 2 (CE Marked)

WAFER-TYPE NON-RETURN VALVE RD 40 DN15 – DN100

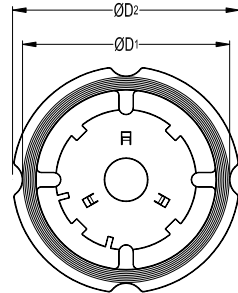
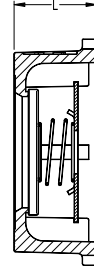
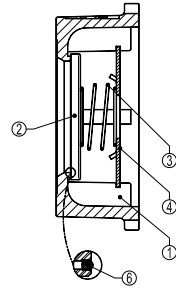
DIMENSIONS (mm)									
DN	15	20	25	32	40	50	65	80	100
D1	43	53	64	75	86	96	115	132	152
D2	50	60	70	81	91	105	126	141	167
L	17	20	23	28	32	40	46	50	60
Kgs	0,18	0,2	0,25	0,5	0,7	1,3	1,7	2,8	4,5

MATERIALS		
POS.	DESIGNATION	MATERIAL
1	Valve body	CF8M / 1.4408
2	*Disc	AISI316 / 1.4401
3	*Spring	AISI302 / 1.4300
4	Star	AISI316 / 1.4401
6	* Soft seal	See options

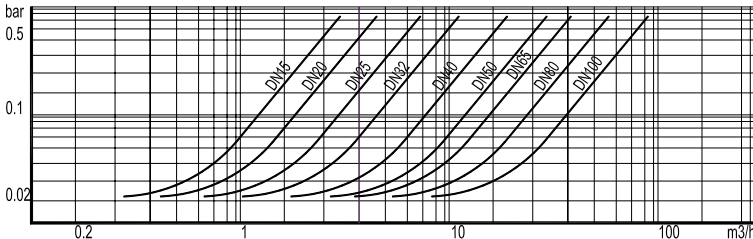
*Available spare parts

Minimum opening pressures with standard spring in mbar									
DN	15	20	25	32	40	50	65	80	100
D.P.	25	25	25	27	28	29	30	31	33
D.P.	23	23	23	24	25	25	26	26	27
D.P.	21	21	21	21	21	21	21	21	21
*D.P.	2	2	2	3	4	4	5	5	6

* Vertical installation without springs (bottom to top). Flow direction.



Pressure drop, horizontal flow, standard spring (water - 20°)



To determine the pressure drop of other mediums the equivalent water flow volume has to be calculated: $V_w = \sqrt{\frac{Q}{1000}} \times V$

Vw = Equivalent water flow volume in m3/h ; Q = Density in Kg/m3 ; V = Flow volume in m3/h

WAFER-TYPE NON-RETURN VALVE RD 40 DN 125 – DN 200

DESCRIPTION

The RD40 disc check valve has a compact design and was specially designed for use with steam and hot condensate.

Connections are flanged (wafer type)

MAIN FEATURES

Low pressure drop.

Simple and compact design.

Overall lengths according to DIN 3202 part 3-K4

OPTIONS: Soft sealing :
EPDM (E), NBR (N), VITON (V), PTFE (T).

Inconel springs

USE : Saturated steam, water and other gases (Group 2) compatible with the construction

AVAILABLE

MODELS : RD 40

SIZES : DN 125 to DN 200

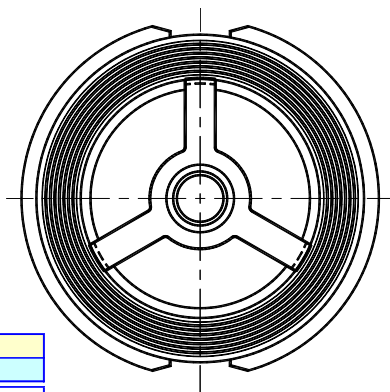
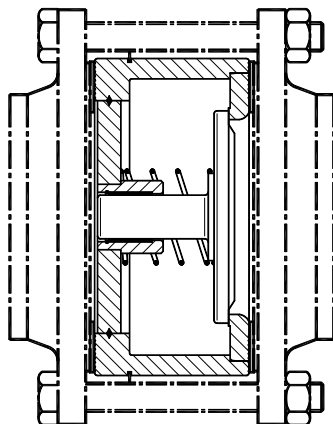
CONNECTIONS : Sandwiched between flanges as per EN 1092 or ANSI.

INSTALLATION : Horizontal or vertical installation .See IMI, installation and maintenance instructions.

RATING : PN 10 / PN 40

LIMIT OF

OPERATION: As per EN 1092



Recommended limit of operation with soft seats (°C)

EPDM (E)	NBR (N)	VITON (V)	PTFE (T)
130°	95°	180°	180°

CE MARKING (PED - European Directive 97/23/EC)

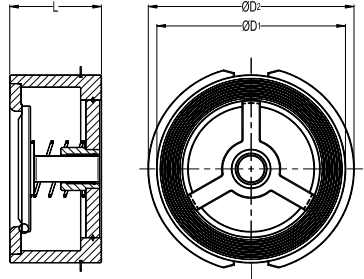
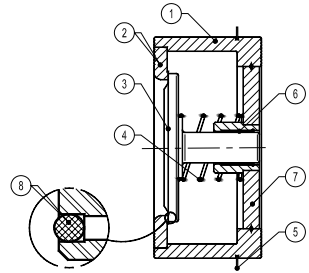
PN 10/16	PN 25	PN 40	Category
DN125 to DN200	DN125	/	Category 1 (CE marked)
/	DN150-DN200	DN125	Category 2 (CE marked)
/	/	DN150-DN200	Category 3 (CE marked)

WAFER-TYPE NON-RETURN VALVE RD 40 DN 125 – DN 200

DIMENSIONS (mm)							
DN	D1 PN10/16	D2 PN25	D2 PN40	D2 ANSI150	D2 ANSI300	L	Weight Kgs
125	192	192	192	192	216	90	11
150	218	226	226	218	251	106	13,5
200	273	286	293	273	308	140	24

MATERIALS		
POS.	DESIGNATION	MATERIAL
1	Valve body	S355J2G3 / 1.0570
2	Seat	AISI316 / 1.4401
3	*Disc	AISI316 / 1.4401
4	*Spring	AISI302 / 1.4300
5	Centering ring	AISI304 / 1.4301
6	Bearing	Steel Fe Zn
7	Star	S355J2G3 / 1.0570
8	*Soft seal	See options

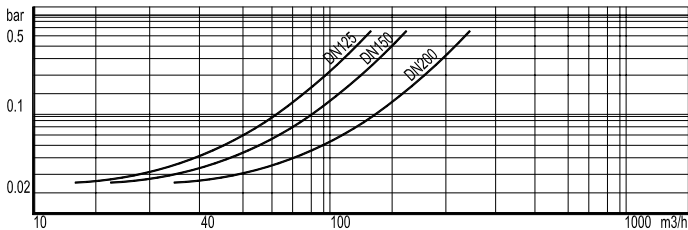
*Available spare parts



Minimum opening pressures with standard spring in mbar				
DN		125	150	200
D.P.	▲	37	40	46
D.P.	▶	22	25	28
D.P.	▼	7	10	10

Flow direction. →

Pressure drop, horizontal flow, standard spring (water – 20°)



To determine the pressure drop of other mediums the equivalent water flow volume has to be calculated: $V_w = \sqrt{\frac{Q}{1000}} \times V$

V_w = Equivalent water flow volume in m³/h ; Q = Density in Kg/m³ ; V = Flow volume in m³/h