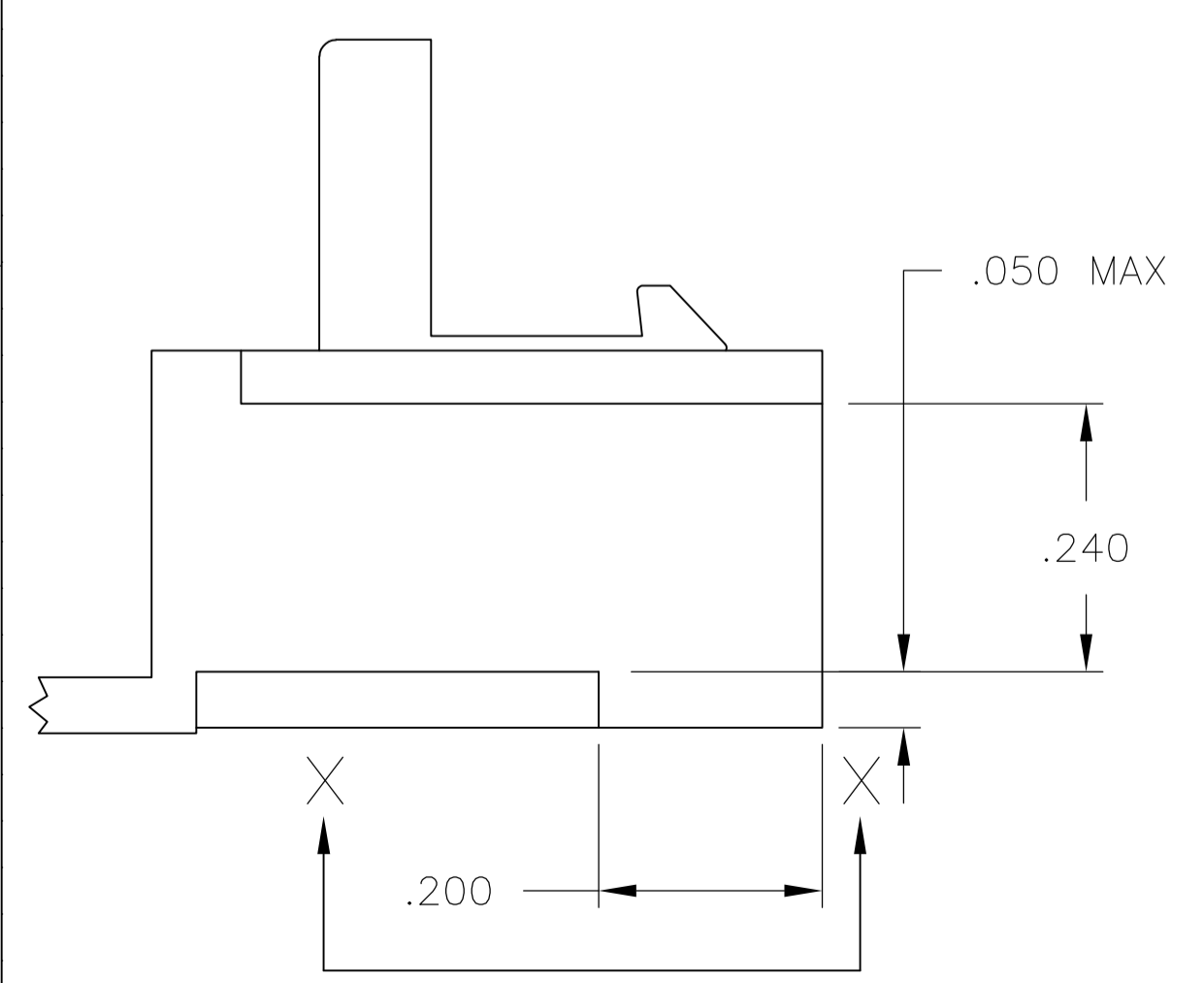
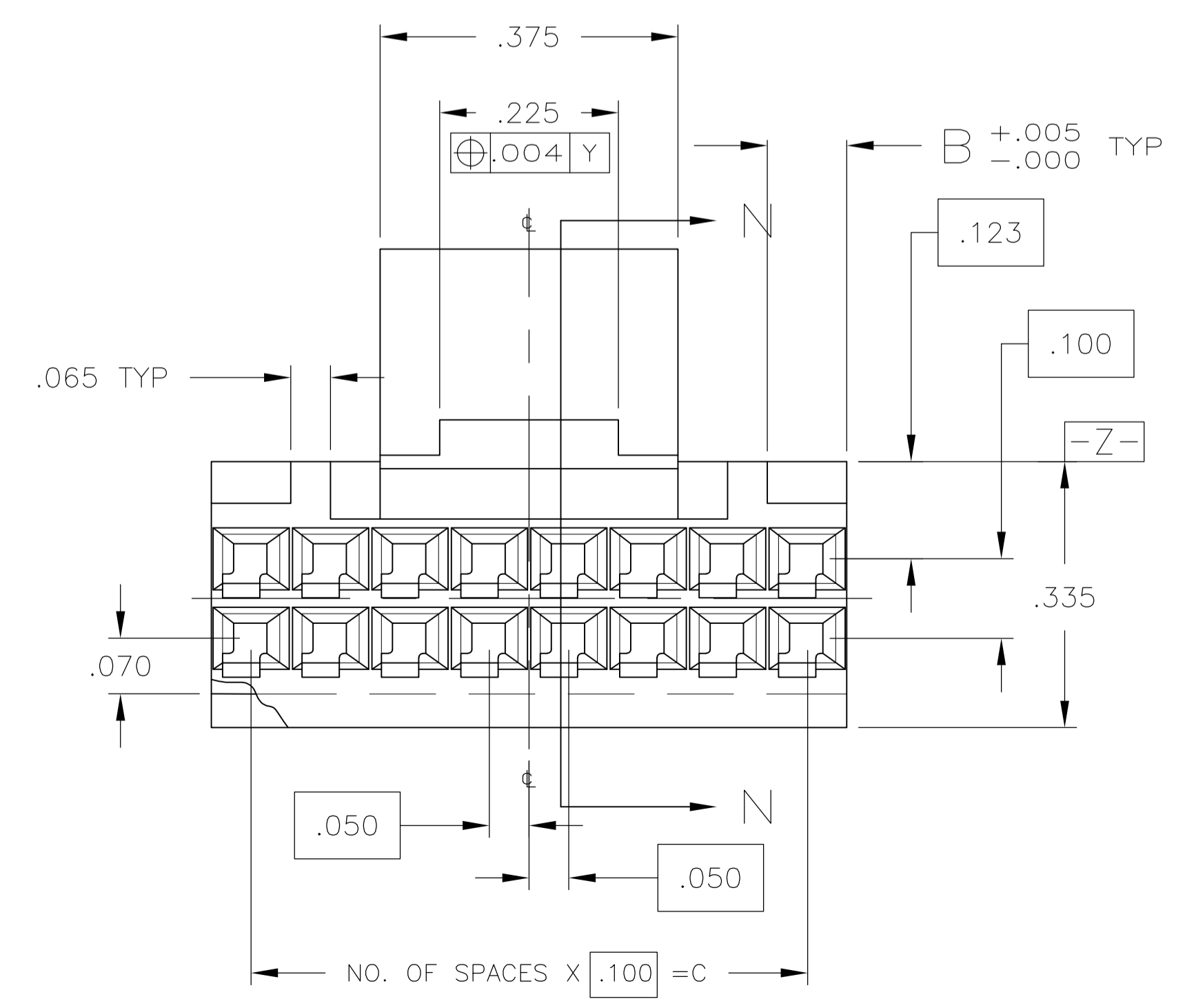
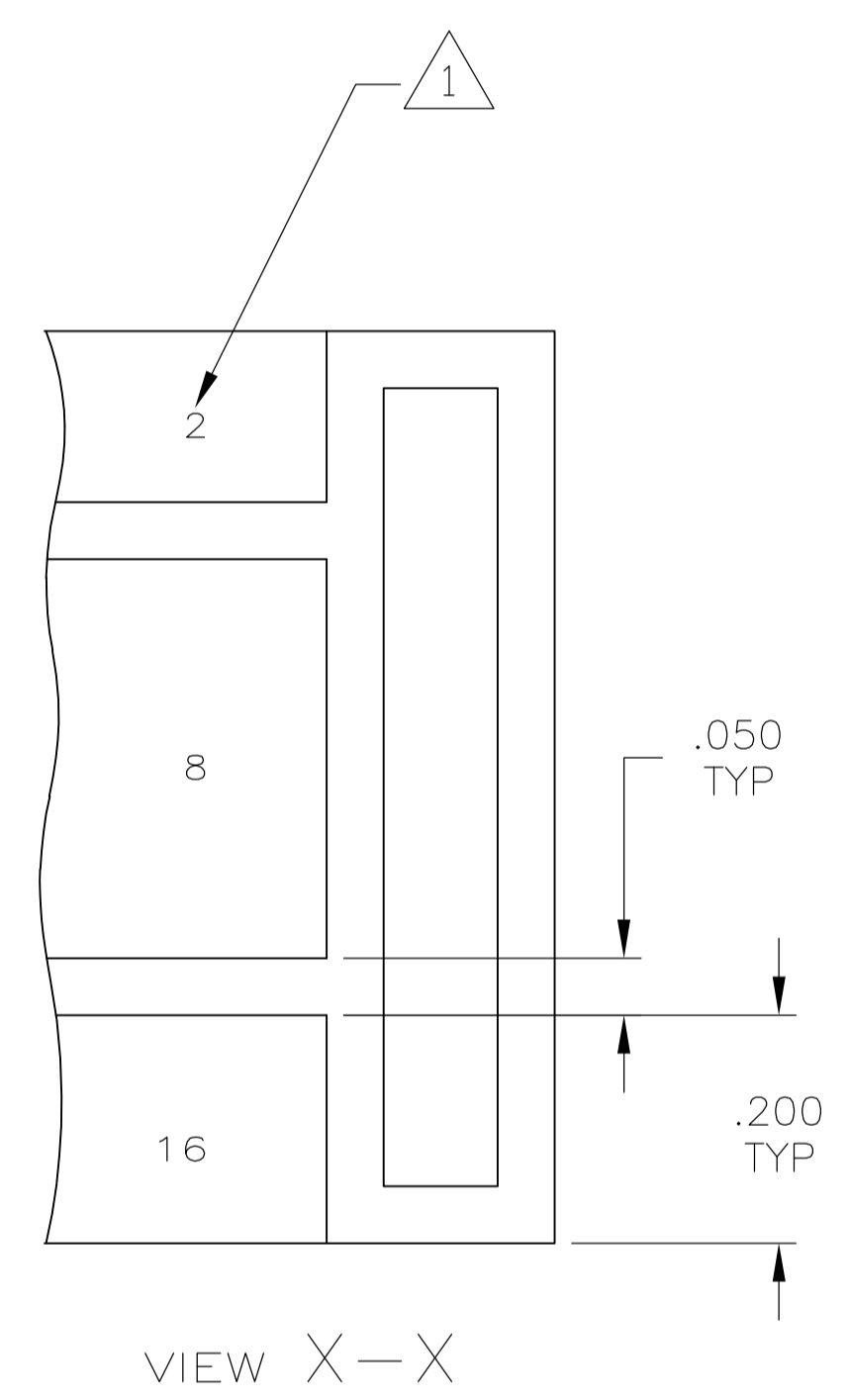


SECTION N-N
SCALE 6:1

- ① CAVITY ID'S AND AMP TRADEMARKS MOLDED IN AT LOCATIONS SHOWN. SEE CHART FOR CAVITY ID NOS.
- ② HOUSING: FLAME RETARDANT THERMOPLASTIC, COLOR-BLACK.



2,10,20	.900	.185	1.000	9	20	104422-2
2,8,16	.700	.085	.800	7	16	104422-1
CAVITY ID NOS	C	B	A	NO OF SPACES	NO OF POSN	ASSEMBLY PART NUMBER

THIS DRAWING IS A CONTROLLED DOCUMENT.		DIN D. NATION 10-19-88	STE TE Connectivity
DIMENSIONS: INCHES		CHK C. OBERMAN 11-1-88	
TOLERANCES UNLESS OTHERWISE SPECIFIED:		APVD	NAME
0. PLC	± .005	PRODUCT SPEC	
1. PLC	± .005	APPLICATION SPEC	
2. PLC	± .005	SIZE	
3. PLC	± .005	CAGE CODE	
4. PLC	± .005	DRAWING NO	
ANGLES	± .005	RESTRICTED TO	
MATERIAL	FINISH	WEIGHT	SCALE 6:1
CUSTOMER DRAWING		A1 00779C=104422	SHEET 1 OF 1