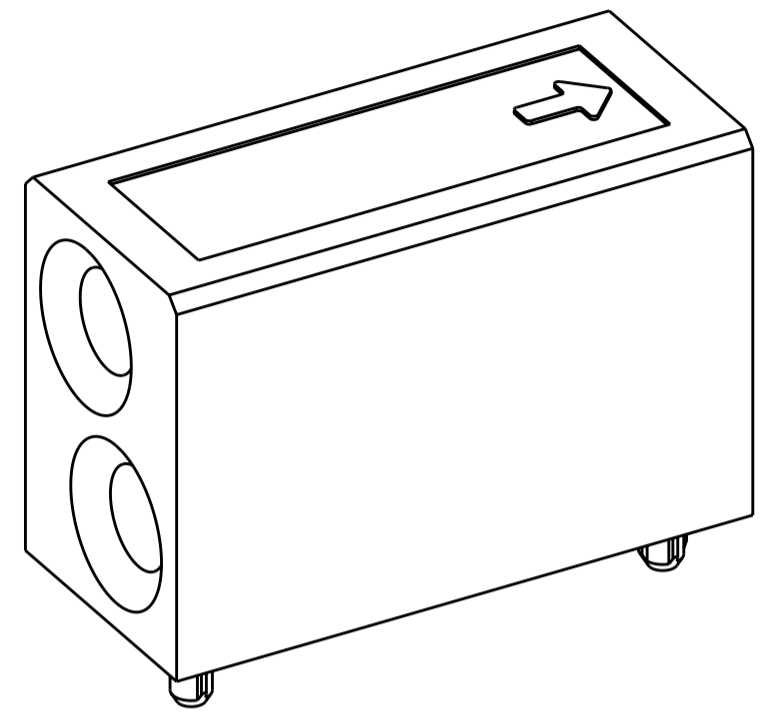
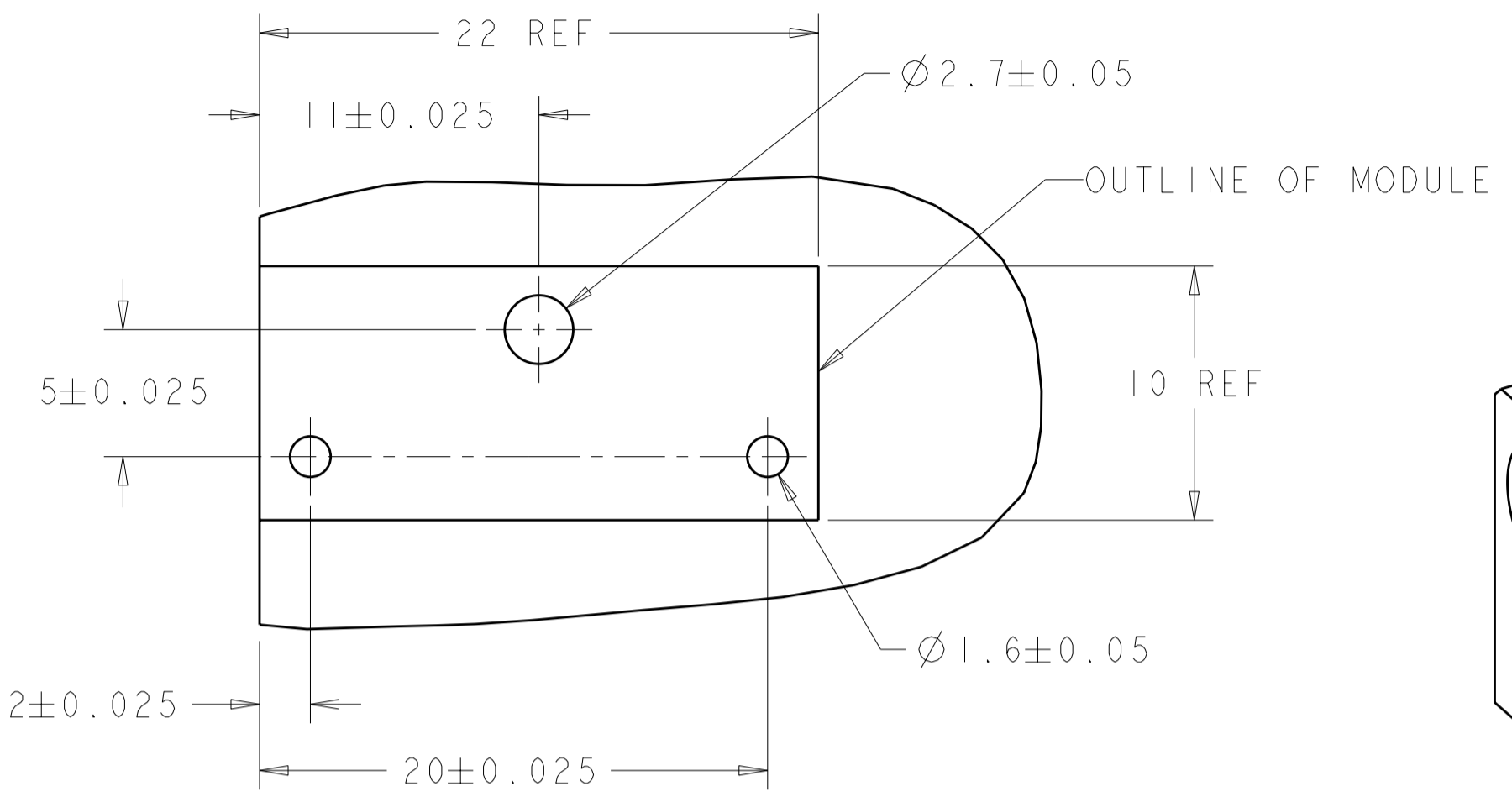


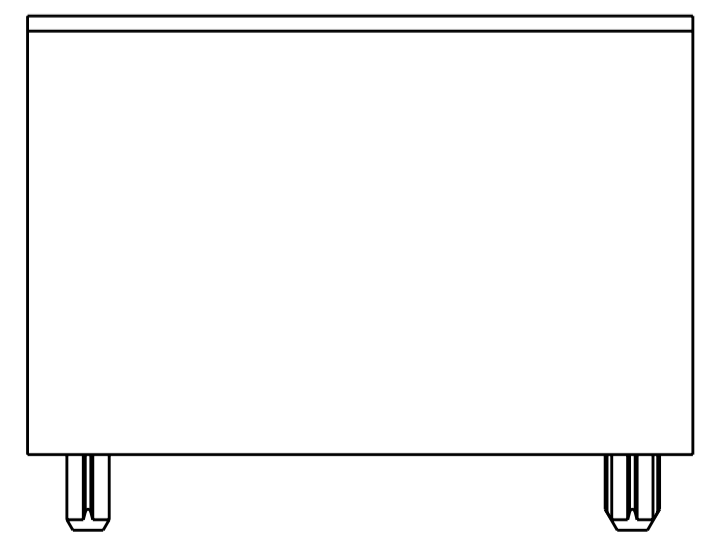
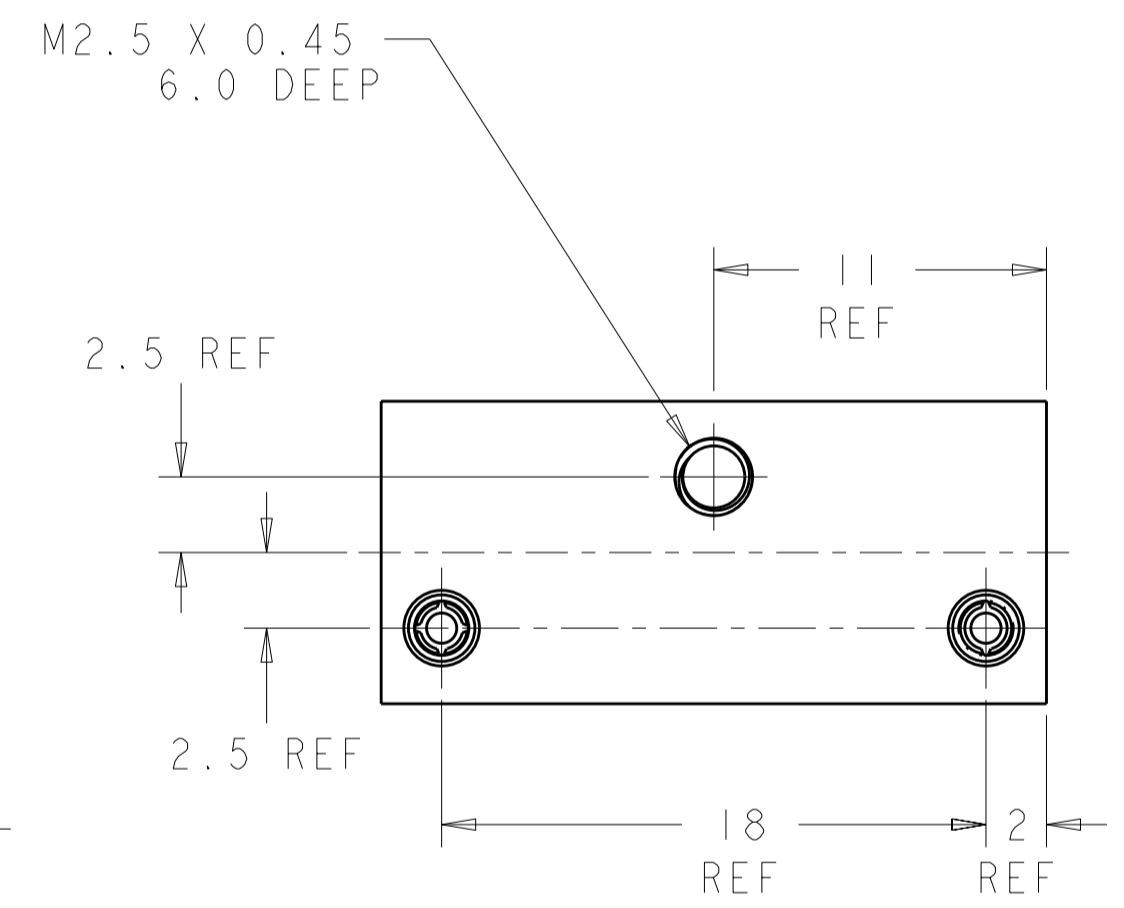
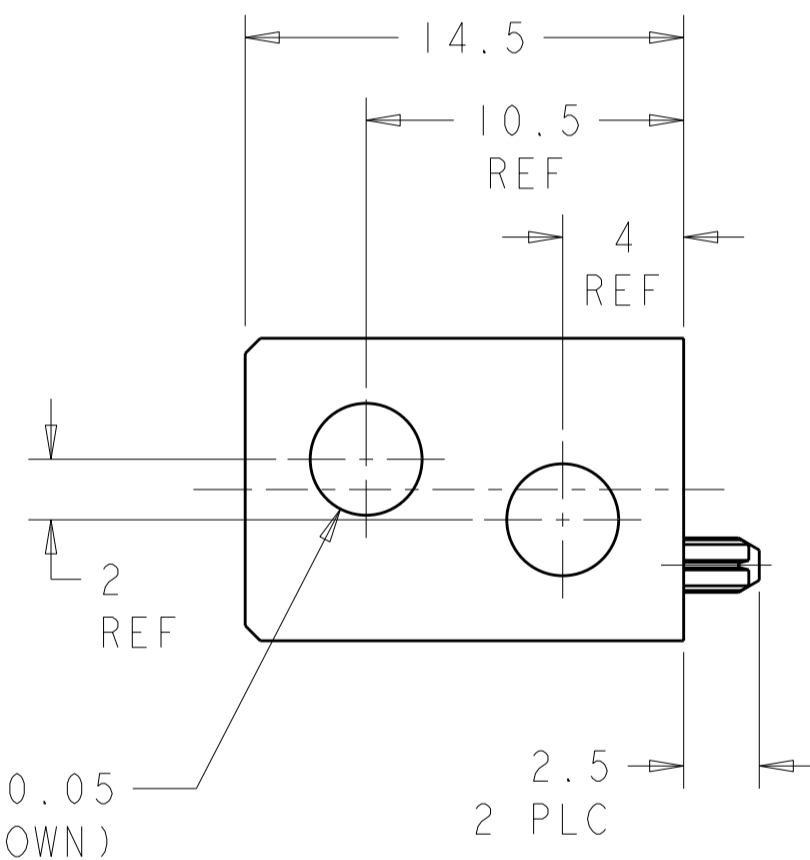
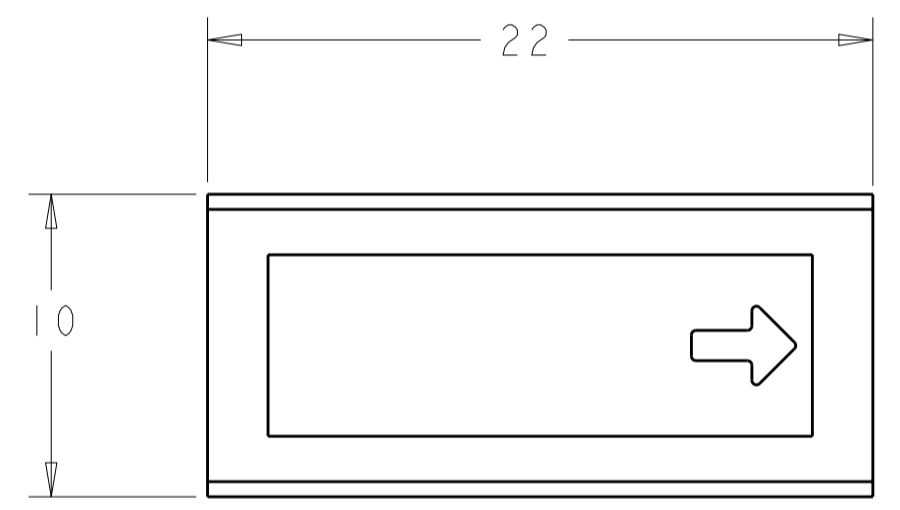
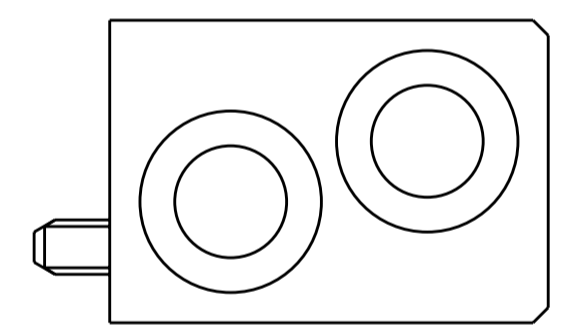
THIS DRAWING IS UNPUBLISHED. RELEASED FOR PUBLICATION 20
 © COPYRIGHT 20 ALL RIGHTS RESERVED.

| LOC | | DIST | | REVISIONS | | | |
|-----|-----|-------------|---------------------------|-----------|------|-----|--|
| P | LTR | DESCRIPTION | DATE | DWN | APVD | | |
| | | B11 | REVISED PER ECO-11-005027 | 18MAY2011 | RK | HMR | |



- NOTES:
- RECOMMENDED MOUNTING HARDWARE- M2.5 X 0.45 SCREW, 7.0MM LONG UP TO 2.9 MM THICK PCB, 8.0MM LONG FOR 3.0 TO 4.0 MM THICK PCB, 10.0MM FOR 4.1 TO 6.0MM THICK PCB, 12.0MM FOR 6.1 TO 8.0MM THICK PCB. (HARDWARE NOT SUPPLIED WITH PART NUMBER)
 - ENHANCED VERSION AVAILABLE FOR NEB'S DROP TEST. REFERENCE DRAWING 1469959.

PCB LAYOUT



1469374-1
 PART NUMBER

| | | | | |
|---|--|------------------------------|---|-------------------------|
| THIS DRAWING IS A CONTROLLED DOCUMENT. | | DWN D. SZCZESNY 17DEC02 | TE Connectivity | |
| DIMENSIONS: mm | | CHK R. PATTERSON 14SEP04 | | |
| TOLERANCES UNLESS OTHERWISE SPECIFIED: | | APVD R. PATTERSON 14SEP04 | NAME ATCA GUIDE MODULE (REAR TRANSITION MODULE - rKI) | |
| 0 PLC ±0.2 1 PLC ±0.5 2 PLC ±0.13 3 PLC ±0.013 4 PLC ±0.0001 ANGLES ±0.5 FINISH | | PRODUCT SPEC - | SIZE A200779 | DRAWING NO C-1469374 |
| MATERIAL ZAMAK 3 | | APPLICATION SPEC - | RESTRICTED TO - | SCALE 4:1 |
| NICKEL | | WEIGHT - | SHEET 1 OF 1 REV B1 | |
| CUSTOMER DRAWING | | | | |